

# attwood®

## 3800 Series Stainless Steel 2-Mile Sidelights

Bicolor Combination Bow Light: 3810  
Sidelight Pair: 3820

*Attwood marine hardware, navigational lighting, bilge pumps, and other marine accessories are specified more than any other brand by America's best-known boat manufacturers as original equipment. Look to Attwood for quality replacement parts and marine accessories.*

### SAVE THESE INSTRUCTIONS

Form Number 69386 Rev. C

04-02

### FEATURES

The Attwood Stainless Steel sidelights provide 2-mile visibility with advanced optics for greater visibility and safety. The housing is corrosion-proof with an aerodynamic design for an attractive appearance on the deck of your boat. The base gasket forms a seal between the lens and deck for an easy, waterproof installation. Side reflectors provide added protection even when the light is not on.

Certification: Bi-Color, 12-Volt, Sidelight

For boats up to 20 meters/65.6 feet (BiColor Bow Light 3810) and up to 50 meters/164 feet (Sidelight Pair 3820). Meets USCG CFR 183.810, ABYC A-16 requirements, and all applicable standards as tested by DMX, on 11/11/1999. 2 Nautical Mile visibility. Uses R10W Lamp, 13.5 Volt, 10 Watt.

### REQUIRED FOR INSTALLATION

- Phillips screwdriver
- Drills: 3/4" for wire clearance hole  
Pilot drill for mounting screws
- Two #10 pan head stainless steel screws (not included)

### LOCATION

1. Position light(s) on a surface of the gunwale or deck that is horizontal (within +/-5 degrees).
2. When installing bicolor combination light, place it on the centerline of the boat at the bow (See Figure 1a).

When installing sidelight pairs, place lights with the red lens on the port (left) and green lens on the starboard (right) as you stand onboard facing bow of the boat. Lights must be parallel to centerline of the boat (See Figure 1b).

Figure 1a

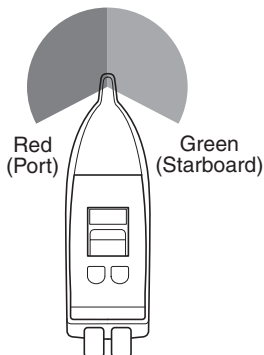
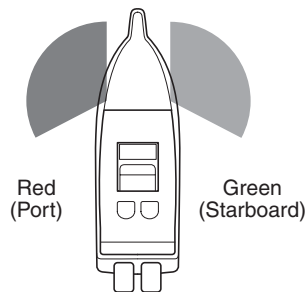


Figure 1b

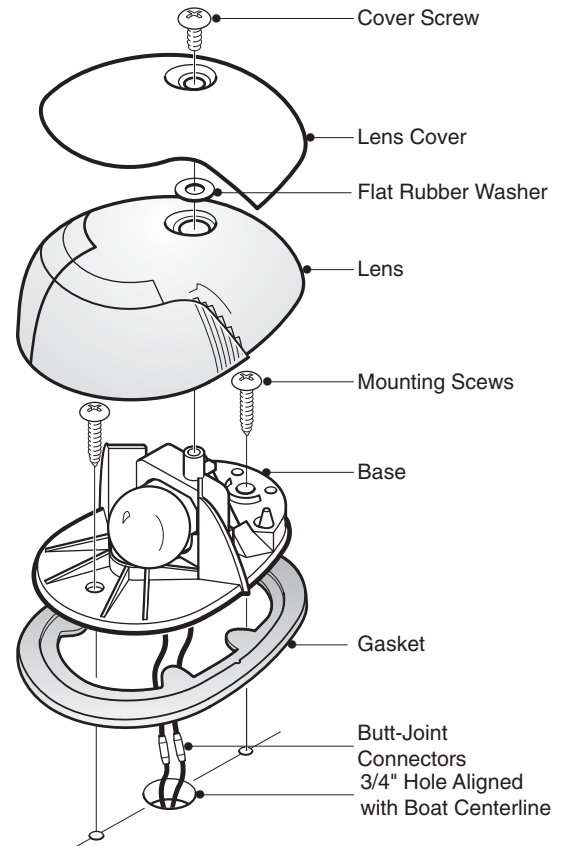


3. Make sure there are no obstructions at the front or side such as rail stanchions, chocks, anchors, cleats, etc. within the light's arc of visibility (112.5 degrees each side).

4. Measure and mark location of wire clearance hole. If installing a bicolor light, location must be on the boat centerline. If installing a sidelight pair, both must be the same distance from the bow.

At the marked location(s), make a mark for a 3/4" hole. This hole is necessary for wire passage and lamp ventilation (See Figure 2).

Figure 2



### MOUNTING INSTRUCTIONS

1. Remove the cover and lens by removing the Phillips head screw in the cover and lifting off (See Figure 2).
2. Assemble gasket to base.
3. Align hole beneath light base with the position you've marked for the clearance hole. Set lens toward the bow and align arrow on base with the boat centerline. Use the light base as a template to mark locations for the mounting screw pilot holes (use at least 2 #10 stainless steel screws).

### CAUTION:

Position holes carefully on aluminum boats so that wires do not contact the hull.

4. Drill clearance hole and pilot holes for the mounting screws.

### WIRING INSTRUCTIONS

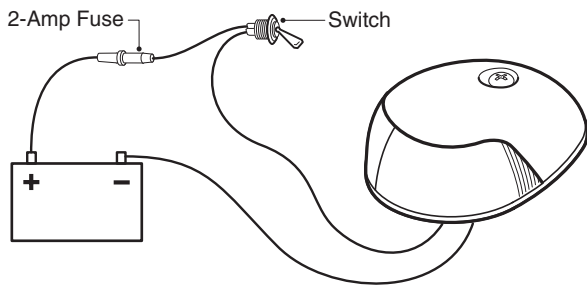
The power supply must be 12-volt DC ONLY. Use crimp type marine-grade connectors with suitable insulation. Protect all connections with suitable materials.

### NOTE:

Failure to make proper connections and fuse the light properly (see back page) will void the product warranty.

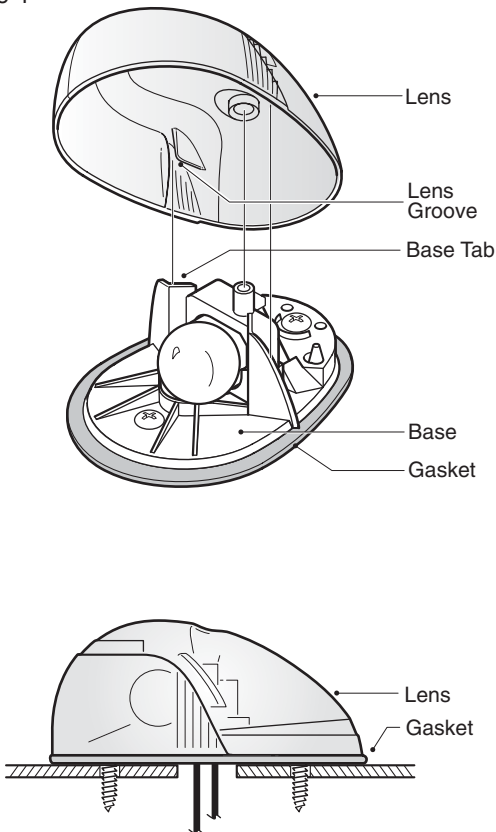
1. Connect one lead to the negative (-) post of the 12-volt supply. Connect the other lead to a fused and switched positive (+) 12-volt supply. Sidelights require 1-amp fusing per lamp: a 1-amp fuse for the Bicolor Combination light, a 2-amp fuse for the Sidelight Pair. Note that navigation rules require sidelights to be operated separately from anchor lights. Use either two switches or a single switch with three positions for off/anchor/running (See Figure 3).

Figure 3



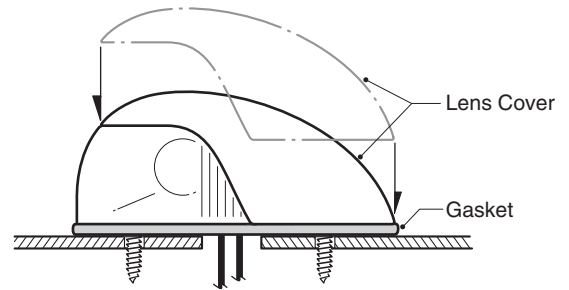
2. Be sure base is seated into the gasket all the way around (See Figure 4 Detail).
3. Insert two #10 stainless steel mounting screws and fasten them to the deck. Tighten until gasket seals to deck.
4. To replace lens: Be sure flat rubber washer is positioned over screw mounting hole between lens and lens cover. Seat lens so the base tabs fit in the lens grooves and base screw mount lines up with the lens screw hole.

Figure 4



5. Place stainless steel cover over lens. Reinstall screw into cover (See Figure 5).

Figure 5



## MAINTENANCE

To replace lamp: Remove the cover screw, lens cover, flat rubber washer, and lens. You may need to pry the lens from the gasket with a small flat screwdriver, starting in the front of the light.

Remove old lamp by rotating 1/8 turn counterclockwise and pulling forward. Replace lamp with the proper bayonet bulb (Attwood Part Number 912717). Carefully replace lens, flat rubber washer, and lens cover on gasket to maintain the waterproof seal. Reinstall cover screw.

## ATTWOOD LIMITED WARRANTY

ATTWOOD CORPORATION, 1016 North Monroe, Lowell, Michigan 49331 ("Attwood") warrants to the original consumer purchaser that Attwood brand products will be free from defects in materials and workmanship under normal use and service for one year from the date of original consumer purchases.

This limited warranty is not applicable if the product has been damaged by accident, improper installation, unreasonable or improper use, lack of proper maintenance, unauthorized repairs or modifications, normal wear and tear, or other causes not arising out of defects in materials or workmanship.

Attwood products are warranted for use on pleasure boats. Any other use—including but not limited to commercial, racing, or non-marine use—are not covered under this warranty. Attwood's obligation under this warranty is limited to repair of the product at Attwood's plant or replacement of the products at Attwood's option without expense to the original consumer purchaser. Any expenses involved in the removal, reinstallation or transportation of the product are not covered by this warranty.

The product must be returned to Attwood's plant at the address above, postage pre-paid, and insured with proof of original purchase including date. If Attwood is unable to replace the product and repair is not commercially practical or cannot be timely made, or if the original consumer purchaser is willing to accept a refund in lieu of repair or replacement, Attwood may refund the purchase price, less an amount for depreciation. The acceptance by Attwood of any product returned or any refund provided by Attwood shall not be deemed an admission that the product is defective or in violation of any warranty. Products that are replaced or for which a refund is issued become the property of Attwood.

THIS WARRANTY IS ATTWOOD'S ONLY EXPRESSED WARRANTY OF THESE PRODUCTS. NO IMPLIED WARRANTY INCLUDING, WITHOUT LIMITATION, THE IMPLIED WARRANTIES OF MERCHANTABILITY AND FITNESS FOR A PARTICULAR PURPOSE, SHALL BE EXTENDED BEYOND THE WARRANTY PERIOD STATED ABOVE FOR EACH PRODUCT. ATTWOOD SHALL NOT BE LIABLE FOR ANY DAMAGES, FOR LOSS OF USE OF THIS PRODUCT, NOR FOR ANY OTHER INCIDENTAL OR CONSEQUENTIAL DAMAGES, COSTS, OR EXPENSES.

Some states do not allow limitations on how long an implied warranty lasts or the exclusion or limitation of incidental or consequential damages, so the above limitations and exclusions may not apply to you. This warranty gives you specific legal rights, and you may have other rights which vary from state to state.