

GPS 19x NMEA 0183 Installation Instructions	2
Instructions d'installation de l'antenne GPS 19x en NMEA 0183	7
Istruzioni di installazione dell'antenna GPS 19x NMEA 0183.....	12
GPS 19x NMEA 0183 – Installationsanweisungen.....	18
Instrucciones de instalación de GPS 19x NMEA 0183.....	24
Instruções de instalação da GPS 19x NMEA 0183	29
GPS 19x NMEA 0183 Installationsvejledning.....	35
Installeringsinstruksjoner for GPS 19x NMEA 0183	40
Installationsinstruktioner för GPS 19x NMEA 0183	45

GPS 19x NMEA 0183 Installation Instructions

⚠ CAUTION

Always wear safety goggles, ear protection, and a dust mask when drilling, cutting, or sanding.

NOTICE

When drilling or cutting, always check what is on the opposite side of the surface.

The Garmin GPS 19x NMEA 0183 HVS high-sensitivity GPS antenna provides position information over NMEA 0183. The GPS 19x NMEA 0183 HVS can be connected to a Garmin chartplotter or another NMEA 0183-compliant device.

The antenna must be properly installed according to these instructions. You need the appropriate fasteners, tools, and mounts listed in each section. These items are available at most marine dealers.

NOTE: When connecting this antenna to a GPSMAP 2000, 3000, 4000, or 5000 series device, you must limit the update rate (see [page 5](#)). If the update rate is not limited, the chartplotter might not receive and display the GPS signal properly.

Registering the Device

- Go to <http://my.garmin.com>.
- Keep the original sales receipt, or a photocopy, in a safe place.

For future reference, write the serial number assigned to your antenna in the space provided. It is located on a sticker on the back of the antenna.

Serial number

Contacting Garmin Product Support

- Go to www.garmin.com/support and click **Contact Support** for in-country support information.
- In the USA, call (913) 397.8200 or (800) 800.1020.
- In the UK, call 0808 2380000.
- In Europe, call +44 (0) 870.8501241.

Tools Needed

- Drill
- 1/8 in. (3.2 mm) drill bit
- 3/4 in. (19 mm) drill bit for a pole-mount cable-hole
- 1 in. (25 mm) hole saw for a surface-mount cable-hole
- Screwdriver, appropriate for the screw type
- Countersink bit for mounting on fiberglass
- Marine sealant for some mounting options
- Solder and shrink wrap
 - Needed for all wiring connections
 - Specifically needed when limiting the antenna to 1 Hz ([page 5](#))

Optional Accessories

- Screws, for under-deck mounting

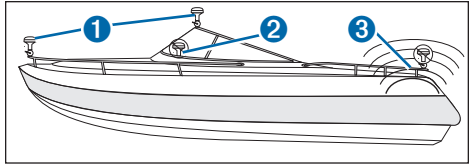
Mounting Type and Location Considerations

You can mount the antenna on a flat surface, attach it to a standard 1 in. OD, 14 threads per in., pipe-threaded pole (not included), or install it under fiberglass.

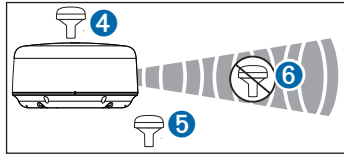
For optimal performance, consider these guidelines when selecting the antenna mounting location.

- The antenna must be mounted 5.9 in. (150 mm) from a compass to avoid interference.

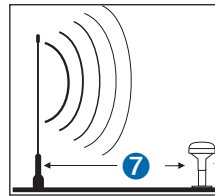
- To ensure the best reception, the antenna should be mounted in a location that has a clear, unobstructed view of the sky in all directions ①.



- The antenna should not be mounted where it is shaded by the superstructure of the boat ②, a radome antenna, or the mast.
- The antenna should not be mounted near the engine or other sources of Electromagnetic Interference (EMI) ③.
- If a radar is present, it is best to install the antenna above the path of the radar ④, though it is acceptable to install it below the path of the radar ⑤ if necessary. The antenna should not be installed directly in the path of the radar ⑥.



- The antenna should be mounted at least 3 ft. (1 m) away from (preferably above) the path of a radar beam or a VHF radio antenna ⑦.



- On a sailboat, to prevent inaccurate speed readings caused by excessive heeling, the antenna should not be mounted high on the mast.
- The antenna provides more-stable readings when located nearer to water level.

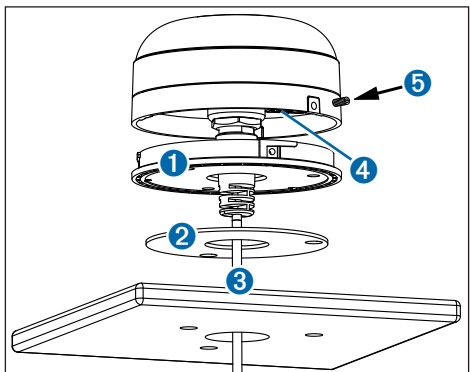
Testing the Mounting Location

- 1 Temporarily secure the antenna in the preferred mounting location and test it for correct operation.
- 2 If you experience interference with other electronics, move the antenna to a different location, and test it again.
- 3 Repeat steps 1–2 until you can verify that the antenna operates correctly.
- 4 Permanently mount the antenna.

Surface-Mounting the Antenna

Before you permanently mount the antenna, test the mounting location for correct operation ([page 2](#)).

Use the surface-mount bracket ① as your mounting template.



- 1 Use a pencil to mark the three screw locations and to trace the cable-hole in the center of the bracket.
- 2 Set the surface-mount bracket aside. Do not drill through the surface-mount bracket.
- 3 Drill the three $\frac{1}{8}$ in. (3.2 mm) pilot holes.

NOTE: If you are mounting the GPS 19x on fiberglass, it is recommended to use a countersink bit to drill a clearance counterbore through the top gelcoat layer (but no deeper). This will help to avoid cracking in the gelcoat layer when the screws are tightened.
- 4 Use a 1 in. (25 mm) hole saw to cut the cable hole in the center.
- 5 Place the seal pad ② on the bottom of the surface-mount bracket, aligning the screw holes.
- 6 Use the included M4 screws to attach the surface-mount bracket to the mounting surface.
- 7 Route the cable ③ through the 1 in. (25 mm) hole and connect it to the antenna.
- 8 Verify that the large gasket ④ is in place on the bottom of the antenna, place the antenna on the surface-mount bracket, and twist it clockwise to lock it in place.
- 9 Secure the antenna to the mounting bracket with the included M3 set screw ⑤.
- 10 Route the cable away from sources of electronic interference, and connect it to power and to a NMEA 0183-compliant device (page 4).

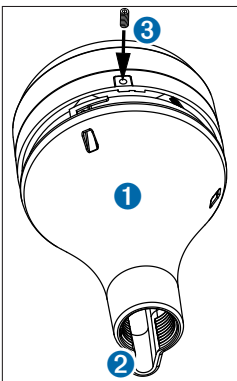
Mounting the Antenna on a Pole

With the included pole-mount adapter attached to the antenna, you can install it on a standard 1 in. OD, 14 threads per inch, pipe-threaded pole (not included). You can route the cable outside of the pole or through the pole.

Before you permanently mount the antenna, test the mounting location for correct operation (page 2).

Mounting the Antenna with the Cable Routed Outside of the Pole

- 1 Route the cable through the pole-mount adapter ①, and place the cable in the vertical slot ② along the base of the pole-mount adapter.

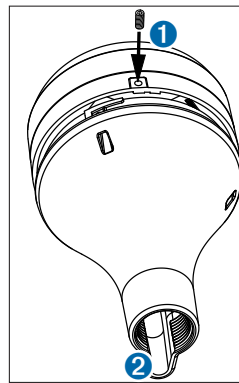


- 2 Screw the pole-mount adapter onto a standard 1 in. OD, 14 threads per inch, pipe-threaded pole (not included). Do not overtighten the adapter on the pole.
- 3 Connect the cable to the antenna.
- 4 Place the antenna on the pole-mount adapter and twist it clockwise to lock it in place.
- 5 Secure the antenna to the adapter with the included M3 set screw ③.
- 6 With the antenna installed on the pole mount, fill the remaining gap in the vertical cable slot with a marine sealant (optional).
- 7 Attach the pole to the boat if it is not already attached.

- 8 Route the cable away from sources of electronic interference, and connect it to power and to a NMEA 0183-compliant device (page 4).

Mounting the Antenna with the Cable Routed Through the Pole

- 1 Position a standard 1 in. OD, 14 threads per in., pipe-threaded pole (not included) in the selected location, and mark the approximate center of the pole.
- 2 Drill a hole using a $\frac{3}{4}$ in. (19 mm) drill bit for the cable to pass through.
- 3 Fasten the pole to the boat.
- 4 Thread the pole-mount adapter onto the pole. Do not overtighten the adapter.
- 5 Route the cable through the pole and connect it to the antenna.
- 6 Place the antenna on the pole-mount adapter and twist it clockwise to lock it in place.
- 7 Secure the antenna to the adapter with the included M3 set screw ①.



- 8 With the antenna installed on the pole mount, fill the vertical cable slot ② with a marine sealant (optional).
- 9 Route the cable away from sources of electronic interference, and connect it to power and to a NMEA 0183-compliant device (page 4).

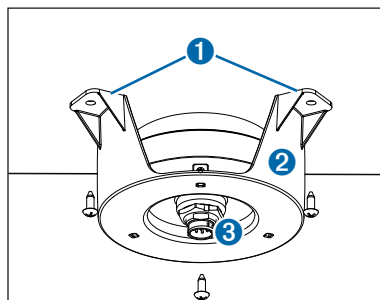
Mounting the Antenna Under a Surface

NOTICE

Before attaching the under-deck mounting bracket to the surface, verify that the supplied screws will not penetrate the surface. If the supplied screws are too long, you must purchase surface-appropriate screws to complete the installation.

Because the antenna cannot acquire signals through metal, it must be mounted under a fiberglass surface only.

- 1 Determine and test the location under a fiberglass surface where you want to mount the antenna (page 2).

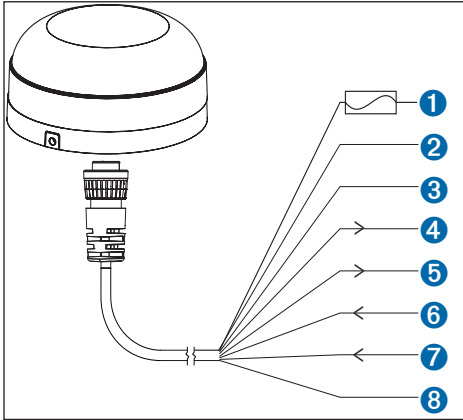


- 2 Place the adhesive pads ① on the under-deck mounting bracket ②.
- 3 Place the antenna in the under-deck mounting bracket.
- 4 Adhere the under-deck mounting bracket to the mounting surface.

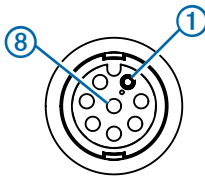
- 5 Secure the under-deck mounting bracket to the mounting surface with screws.
- 6 Connect the cable to the antenna ③.
- 7 Route the cable away from sources of electronic interference, and connect it to power and to a NMEA 0183-compliant device (page 4).

Connecting the Antenna to Power and to a NMEA 0183-Compliant Device

The antenna must be connected to power and to a NMEA 0183-compliant device. Use the diagrams to correctly wire the antenna. You can connect up to three NMEA 0183-compliant devices to receive data from one antenna.



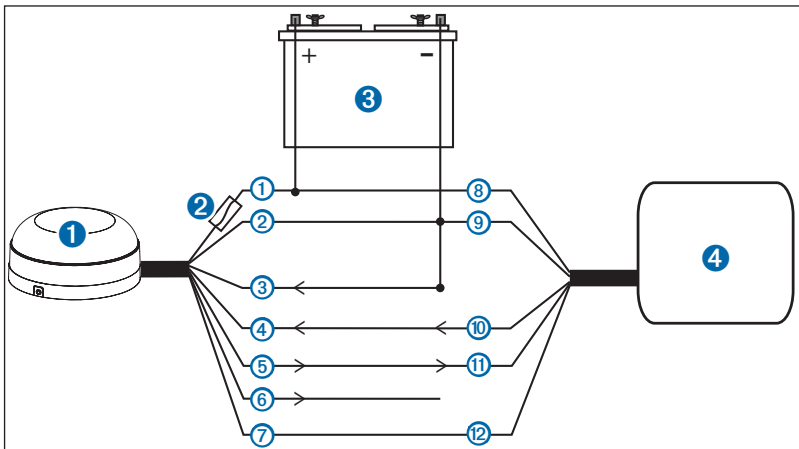
Wire	Color	Function	Pin
1	Red	Power (+) (1A fuse)	3
2	Black	Ground (-)	2
3	Orange	Accessory-On	4
4	Gray	Tx A(+)	6
5	White/Red	Tx B(-)	5
6	White	Rx A(+)	1
7	White/Orange	Rx B(-)	7
8	Purple	Pulse per second (PPS)	8



1	Pin 1
8	Pin 8

Examples

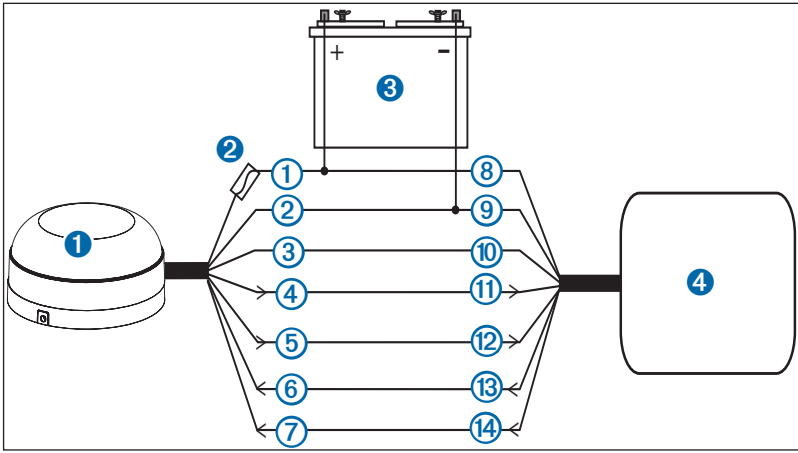
Connecting the Antenna to a Garmin Chartplotter



Item	Description
1	GPS 19x antenna
2	1A fuse
3	12 Vdc battery
4	Garmin NMEA 0183-compatible chartplotter

Antenna Wire	Color	Chartplotter Wire	Color
1	Red	8	Red
2	Black	9	Black
3	White/Orange (ground)		
4	White	10	Green
5	Gray	11	Green/White
6	White/Red (unconnected)		
7	Orange	12	Orange

Connecting the Antenna to a NMEA 0183-Compliant Device for Two-Way Communication



Item	Description
1	GPS 19x antenna
2	1A fuse
3	12 Vdc battery
4	Garmin NMEA 0183-compatible chartplotter

Antenna Wire	Color	NMEA 0183 Device Wire	Function
1	Red	8	Power (+)
2	Black	9	Ground (-)
3	Orange	10	Accessory-ON
4	Gray	11	Rx A (+)
5	White/Red	12	Rx B (-)
6	White	13	Tx A (+)
7	White/Orange	14	Tx B (-)

NMEA 0183 Connection Exceptions

⚠ CAUTION

The orange (Accessory-ON) wire is used when connecting the antenna to a Garmin chartplotter, or other NMEA 0183 device that has a defined accessory signal wire. If you are connecting the antenna to a device that does not have an accessory signal wire, the orange wire from the antenna should be connected to ground.

If you are connecting the antenna to a device that does not have an accessory signal wire (Accessory-ON), connect the antenna power wire to the ignition or install an in-line switch. The antenna will drain the battery of the boat if it is not switched.

- If your NMEA 0183-compliant device has only one receiving wire (Rx), connect it to the gray wire (Tx/A) from the antenna, and leave the white/red wire (Tx/B) from the antenna unconnected.
- If your NMEA 0183-compliant device has only one transmitting wire (Tx), connect it to the white wire (Rx/A) from the antenna, and connect the white/orange wire (Rx/B) from the antenna to ground.

Limiting the Antenna Update Rate

By default, the antenna outputs position data updates 10 times per second using serial communications rate of 38400 bps. By installing the included resistor cable the antenna can be limited to output position updates once per second using serial communications rate of 4800 bps.

- 1 Mount the antenna according to these instructions (page 2).
- 2 If necessary, cut the cable to the appropriate length for the installation.
- 3 Solder the included rate-change cable in-line with the orange Accessory-ON wire.
- 4 Use heat-shrink tubing around the soldered connections.
- 5 If you have not connected the antenna already, connect the power and data cables (page 4).

Chartplotter Software

To ensure compatibility with the antenna, upgrade your Garmin chartplotter with the latest software. For more information, go to www.garmin.com/support.

Care Information

The case is constructed of high quality materials and does not require user maintenance, except cleaning.

Cleaning the Case

Clean the outer casing of the device using a cloth dampened with a mild detergent solution and then wipe dry.

Avoid chemical cleaners and solvents that may damage plastic components.

Specifications

Dimensions (Diameter × Height)	3 19/32 in. × 1 15/16 in. (91.6 mm × 49.5 mm)
Weight	7.1 oz (201 g)
Cable length	30 ft. (9.14 m)
Temperature range	-22° to 176°F (-30° to 80°C)
Case material	Fully gasketed, high-impact plastic alloy, waterproof to IEC 60529 IPX7 standards
Compass-safe distance	5.9 in. (150 mm)
Power input source	8–33 Vdc, unregulated
Input current	40 mA at 12 Vdc

Important Safety and Product Information

⚠ WARNING

Your GPS unit may use an internal, non-user-replaceable battery for various purposes, such as the real-time clock.

Do not remove or attempt to remove the non-user-replaceable battery.

When disposing of the unit, take it to a professional service, such as a waste electronics treatment facility, to have the battery removed and recycled.

Water Immersion

The device is waterproof to IEC Standard 60529 IPX7. It can withstand immersion in 1 meter of water for 30 minutes. Prolonged submersion can cause damage to the unit. After submersion, be certain to wipe and air dry the unit before reuse.

Declaration of Conformity

Hereby, Garmin, declares that this product is in compliance with the essential requirements and other relevant provisions of Directive 1999/5/EC. To view the full Declaration of Conformity, go to www.garmin.com/compliance.

Industry Canada Compliance

Category I radiocommunication devices comply with Industry Canada Standard RSS-210. Category II radiocommunication devices comply with Industry Canada Standard RSS-310. This device complies with Industry Canada license-exempt RSS standard(s). Operation is subject to the following two conditions: (1) this device may not cause interference, and (2) this device must accept any interference, including interference that may cause undesired operation of the device.

FCC Compliance

This product has been tested and found to comply with Part 15 of the FCC interference limits for Class B digital devices FOR HOME OR OFFICE USE. These limits are designed to provide more reasonable protection against harmful interference in a residential installation, and are more stringent than "outdoor" requirements.

Operation of this device is subject to the following conditions: (1) this device may not cause harmful interference, and (2) this device must accept any interference received, including interference that may cause undesired operation.

This equipment generates, uses, and can radiate radio frequency energy and may cause harmful interference to radio communications if not installed and used in accordance with the instructions. However, there is no guarantee that interference will not occur in a particular installation. If this equipment does cause harmful interference to radio or television reception, which can be determined by turning the equipment off and on, the user is encouraged to try to correct the interference by one of the following measures:

- Reorient or relocate the receiving antenna.
- Increase the separation between the equipment and the receiver.
- Connect the equipment into an outlet that is on a different circuit from the GPS unit.
- Consult the dealer or an experienced radio/TV technician for help.

This product does not contain any user-serviceable parts. Repairs should only be made by an authorized Garmin service center. Unauthorized repairs or modifications could result in permanent damage to the equipment, and void your warranty and your authority to operate this device under Part 15 regulations.

Software License Agreement

BY USING THE DEVICE, YOU AGREE TO BE BOUND BY THE TERMS AND CONDITIONS OF THE FOLLOWING SOFTWARE LICENSE AGREEMENT. PLEASE READ THIS AGREEMENT CAREFULLY.

Garmin grants you a limited license to use the software embedded in this device (the "Software") in binary executable form in the normal operation of the product. Title, ownership rights, and intellectual property rights in and to the Software remain in Garmin.

You acknowledge that the Software is the property of Garmin and is protected under the United States of America copyright laws and international copyright treaties. You further acknowledge that the structure, organization, and code of the Software are valuable trade secrets of Garmin and that the Software in source code form remains a valuable trade secret of Garmin. You agree not to decompile, disassemble, modify, reverse assemble, reverse engineer, or reduce to human readable form the Software or any part thereof or create any derivative works based on the Software. You agree not to export or re-export the Software to any country in violation of the export control laws of the United States of America.

Limited Warranty

This Garmin product is warranted to be free from defects in materials or workmanship for one year from the date of purchase. Within this period, Garmin will, at its sole option, repair or replace any components that fail in normal use. Such repairs or replacement will be made at no charge to the customer for parts or labor, provided that the customer shall be responsible for any transportation cost. This warranty does not apply to: (i) cosmetic damage, such as scratches, nicks and dents; (ii) consumable parts, such as batteries, unless product damage has occurred due to a defect in materials or workmanship; (iii) damage caused by accident, abuse, misuse, water, flood, fire, or other acts of nature or external causes; (iv) damage caused by service performed by anyone who is not an authorized service provider of Garmin; or (v) damage to a product that has been modified or altered without the written permission of Garmin. In addition, Garmin reserves the right to refuse warranty claims against products or services that are obtained and/or used in contravention of the laws of any country.

This product is intended to be used only as a travel aid and must not be used for any purpose requiring precise measurement of direction, distance, location or topography. Garmin makes no warranty as to the accuracy or completeness of map data in this product.

THE WARRANTIES AND REMEDIES CONTAINED HEREIN ARE EXCLUSIVE AND IN LIEU OF ALL OTHER WARRANTIES EXPRESS, IMPLIED, OR STATUTORY, INCLUDING ANY LIABILITY ARISING UNDER ANY WARRANTY OF MERCHANTABILITY OR FITNESS FOR A PARTICULAR PURPOSE, STATUTORY OR OTHERWISE. THIS WARRANTY GIVES YOU SPECIFIC LEGAL RIGHTS, WHICH MAY VARY FROM STATE TO STATE.

IN NO EVENT SHALL GARMIN BE LIABLE FOR ANY INCIDENTAL, SPECIAL, INDIRECT OR CONSEQUENTIAL DAMAGES, INCLUDING, WITHOUT LIMITATION, DAMAGES FOR ANY TRAFFIC FINES OR CITATIONS, WHETHER RESULTING FROM THE USE, MISUSE OR INABILITY TO USE THE PRODUCT OR FROM DEFECTS IN THE PRODUCT. SOME STATES DO NOT ALLOW THE EXCLUSION OF INCIDENTAL OR CONSEQUENTIAL DAMAGES, SO THE ABOVE LIMITATIONS MAY NOT APPLY TO YOU.

Garmin retains the exclusive right to repair or replace (with a new or newly-overhauled replacement product) the device or software or offer a full refund of the purchase price at its sole discretion. SUCH REMEDY SHALL BE YOUR SOLE AND EXCLUSIVE REMEDY FOR ANY BREACH OF WARRANTY.

To obtain warranty service, contact your local Garmin authorized dealer or call Garmin Product Support for shipping instructions and an RMA tracking number. Securely pack the device and a copy of the original sales receipt, which is required as the proof of purchase for warranty repairs. Write the tracking number clearly on the outside of the package. Send

the device, freight charges prepaid, to any Garmin warranty service station.

Online Auction Purchases: Products purchased through online auctions are not eligible for warranty coverage. Online auction confirmations are not accepted for warranty verification. To obtain warranty service, an original or copy of the sales receipt from the original retailer is required. Garmin will not replace missing components from any package purchased through an online auction.

International Purchases: A separate warranty may be provided by international distributors for devices purchased outside the United States depending on the country. If applicable, this warranty is provided by the local in-country distributor and this distributor provides local service for your device. Distributor warranties are only valid in the area of intended distribution. Devices purchased in the United States or Canada must be returned to the Garmin service center in the United Kingdom, the United States, Canada, or Taiwan for service.

Australian Purchases: Our goods come with guarantees that cannot be excluded under the Australian Consumer Law. You are entitled to a replacement or refund for a major failure and for compensation for any other reasonably foreseeable loss or damage. You are also entitled to have the goods repaired or replaced if the goods fail to be of acceptable quality and the failure does not amount to a major failure. The benefits under our Limited Warranty are in addition to other rights and remedies under applicable law in relation to the products.

Garmin Australasia

Unit 19, 167 Prospect Highway
Seven Hills, NSW, Australia, 2147
Phone: 1800 822 235

Garmin's Marine Warranty Policy: Certain Garmin Marine products in certain areas have a longer warranty period and additional terms and conditions. Go to www.garmin.com/support/warranty.html for more details and to see if your product is covered under Garmin's Marine Warranty Policy.

Instructions d'installation de l'antenne GPS 19x en NMEA 0183

⚠ ATTENTION

Portez toujours des lunettes de protection, un équipement antibruit et un masque anti-poussière lorsque vous percez, coupez ou poncez.

AVIS

Lorsque vous percez ou coupez, commencez toujours par vérifier la nature de la face opposée de l'élément.

L'antenne GPS haute sensibilité du GPS Garmin 19x NMEA 0183 HVS fournit des informations de position sur un serveur NMEA 0183. L'antenne GPS 19x NMEA 0183 HVS peut être branchée à un traceur Garmin ou à un autre appareil compatible NMEA 0183.

L'antenne doit être correctement installée conformément à ces instructions. Vous avez besoin des fixations, outils et supports appropriés répertoriés dans chaque section. Ces articles sont disponibles auprès de la plupart des revendeurs de produits marine.

REMARQUE : Lorsque vous branchez l'antenne à un appareil de la série GPSMAP 2000, 3000, 4000 ou 5000, vous devez limiter le taux de mise à jour (reportez-vous à la [page 11](#)). Si le taux de mise à jour n'est pas limité, le traceur peut cesser de recevoir et d'afficher le signal GPS correctement.

Enregistrement de l'appareil

- Rendez-vous sur le site <http://my.garmin.com>.
- Conservez en lieu sûr l'original de la facture ou une photocopie.

Indiquez le numéro de série de votre antenne dans l'espace prévu à cet effet, pour référence ultérieure. Il figure sur un autocollant apposé à l'arrière de l'antenne.

Numéro de série

Contactez le service d'assistance produit de Garmin

- Rendez-vous sur le site www.garmin.com/support et cliquez sur **Contact Support** pour obtenir une assistance par pays.
- Aux Etats-Unis, composez le (913) 397.8200 ou le (800) 800.1020.
- Au Royaume-Uni, composez le 0808 2380000.
- En Europe, composez le +44 (0) 870.8501241.

Outils requis

- Perceuse
- Foret de 3,2 mm (1/8 po)
- Foret de 19 mm (3/4 po) pour percer l'orifice du câble pour la fixation sur poteau
- Scie cloche de 25 mm (1 po) pour percer l'orifice du câble pour la fixation en surface
- Tournevis le plus approprié pour le type de vis
- Foret de fraisage pour montage sur fibre de verre
- Mastic d'étanchéité pour certaines options de montage
- Fer à souder et gaine thermorétractible
 - Nécessaires au branchement des câbles
 - En particulier lorsque l'antenne est limitée à 1 Hz ([page 11](#))

Accessoires en option

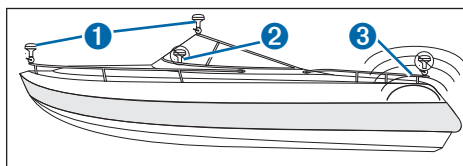
- Vis pour la fixation sous le pont

Types de montage et considérations liées à l'emplacement

Vous pouvez fixer votre antenne sur une surface plane, l'attacher à un poteau avec une tige filetée standard d'un pouce de diamètre externe à 14 filetages par pouce (tige non fournie), ou l'installer sous de la fibre de verre.

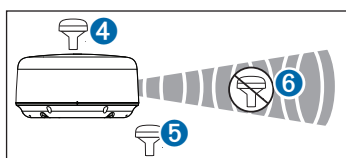
Pour obtenir des performances optimales, tenez compte de ces principes lors du choix de l'emplacement de montage de l'antenne.

- L'antenne doit être montée à au moins 150 mm (5,9 po) de tout compas afin d'éviter les interférences.
- Pour assurer la meilleure réception possible, montez l'antenne à un endroit offrant une vue totalement dégagée sur le ciel dans toutes les directions **1**.

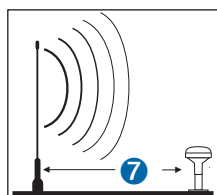


- L'antenne ne doit pas être montée à un endroit où la structure du bateau **2**, l'antenne radôme ou le mât lui feront de l'ombre.
- L'antenne ne doit pas être montée à proximité du moteur ou d'autres sources d'interférences électromagnétiques **3**.
- Si le bateau est équipé d'un radar, il est préférable d'installer l'antenne au-dessus de la

trajectoire du faisceau radar 4. Il est toutefois acceptable de l'installer sous la trajectoire du faisceau radar 5 si nécessaire. L'antenne ne doit pas être installée dans la trajectoire directe du faisceau radar 6.



- L'antenne doit être montée à au moins 1 m (3 pieds) et de préférence au-dessus de la trajectoire d'un faisceau radar ou d'une antenne radio VHF 7.



- Sur un voilier, pour éviter les lectures de vitesse inexactes liées à une gîte excessive, l'antenne ne doit pas être montée trop haut sur le mât.
- L'antenne fournit des mesures plus stables lorsqu'elle est placée près de la surface de l'eau.

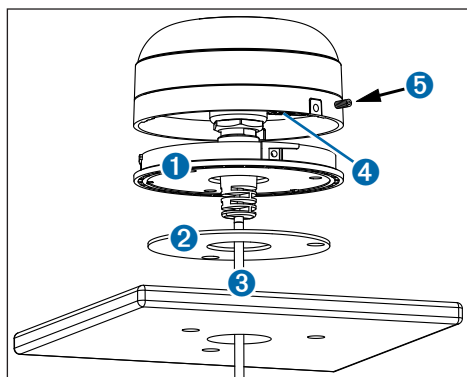
Test de l'emplacement de montage

- 1 Fixez temporairement l'antenne à son emplacement d'installation et testez son fonctionnement.
- 2 Si vous constatez une interférence avec d'autres appareils électroniques, déplacez l'antenne et réessayez.
- 3 Répétez les étapes 1 et 2 jusqu'à ce que vous soyez sûr que l'antenne fonctionne correctement.
- 4 Montez définitivement l'antenne.

Fixation en surface de l'antenne

Avant de monter définitivement l'antenne, testez son bon fonctionnement à cet emplacement (page 7).

Utilisez le support de fixation en surface 1 comme modèle de montage.



- 1 Utilisez un crayon pour marquer l'emplacement des trois vis et pour tracer l'orifice du câble au centre du support.
- 2 Mettez de côté le support de montage en surface.
Ne percez pas à travers le support de montage en surface.
- 3 Percez les trois trous d'implantation de 3,2 mm (1/8 po).

REMARQUE : si vous montez l'antenne GPS 19x sur de la fibre de verre, il est recommandé d'utiliser un foret de fraiseage pour percer un trou à fond plat dans la couche de gelcoat (sans percer plus profond). Ceci permet d'éviter que le

gelcoat ne se fissure lorsque les vis seront mises en place.

- 4 Utilisez une scie à cloche de 25 mm (1 po) pour percer l'orifice du câble au centre.
- 5 Placez le tampon d'étanchéité 2 en bas du support de fixation en surface, en veillant à aligner les orifices des vis.
- 6 Utilisez les vis M4 fournies pour fixer le support de fixation sur la surface de montage.
- 7 Faites passer le câble 3 à travers l'orifice du câble de 25 mm (1 po) et branchez-le à l'antenne.
- 8 Assurez-vous que le grand joint est fixé au bas de l'antenne 4, placez l'antenne sur le support de fixation en surface et tournez-la dans le sens des aiguilles d'une montre pour la bloquer.
- 9 Fixez l'antenne au support de fixation à l'aide de la vis M3 fournie 5.
- 10 Eloignez le câble des sources d'interférences électroniques et reliez-le à l'alimentation et à un périphérique compatible NMEA 0183 (page 9).

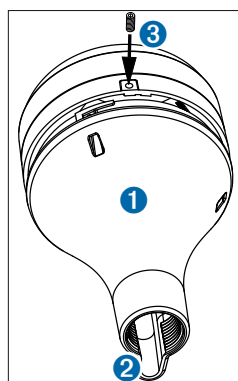
Montage de l'antenne sur poteau

Une fois l'antenne fixée à l'adaptateur de fixation sur poteau fourni, vous pouvez l'installer sur un poteau avec une tige filetée standard d'un pouce de diamètre externe à 14 filetages par pouce (tige non fournie). Vous pouvez faire passer le câble dans le poteau ou à l'extérieur de celui-ci.

Avant de monter définitivement l'antenne, testez son bon fonctionnement à cet emplacement (page 7).

Montage de l'antenne en faisant passer le câble à l'extérieur du poteau

- 1 Passez le câble dans l'adaptateur de fixation sur poteau 1 et placez-le dans la fente verticale 2, le long de la base de l'adaptateur.



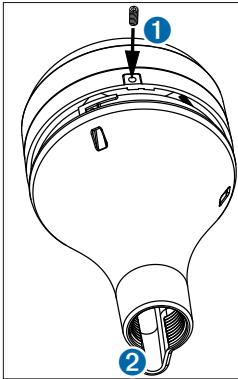
- 2 Vissez l'adaptateur de fixation sur un poteau avec une tige filetée standard d'un pouce de diamètre externe à 14 filetages par pouce (tige non fournie).
Ne serrez pas outre mesure.
- 3 Branchez le câble à l'antenne.
- 4 Placez l'antenne sur l'adaptateur de fixation et tournez-la dans le sens des aiguilles d'une montre pour la bloquer.
- 5 Fixez l'antenne à l'adaptateur à l'aide de la vis M3 fournie 3.
- 6 Une fois l'antenne installée, comblez la fente verticale du câble à l'aide d'un mastic d'étanchéité (facultatif).
- 7 Fixez le poteau au bateau, si ce n'est pas déjà fait.
- 8 Eloignez le câble des sources d'interférences électroniques et reliez-le à l'alimentation et à un périphérique compatible NMEA 0183 (page 9).

Montage de l'antenne en faisant passer le câble à l'intérieur du poteau

- 1 Placez un poteau avec tige filetée d'un pouce de diamètre externe à 14 filetages par pouce

(tige non fournie) à l'emplacement sélectionné et faites une marque approximativement au centre du poteau.

- 2 Percez un trou à l'aide d'un foret de 19 mm (3/4 pouce) pour permettre le passage du câble.
- 3 Fixez le poteau au bateau.
- 4 Vissez l'adaptateur de fixation sur poteau au poteau.
Ne serrez pas l'adaptateur outre mesure.
- 5 Acheminez le câble à l'intérieur du poteau et branchez-le à l'antenne.
- 6 Placez l'antenne sur l'adaptateur de fixation et tournez-la dans le sens des aiguilles d'une montre pour la bloquer.
- 7 Fixez l'antenne à l'adaptateur à l'aide de la vis M3 fournie ❶.



- 8 Une fois l'antenne installée, comblez la fente verticale ❷ du câble à l'aide d'un mastic d'étanchéité (facultatif).
- 9 Eloignez le câble des sources d'interférences électroniques et reliez-le à l'alimentation et à un périphérique compatible NMEA 0183 (page 9).

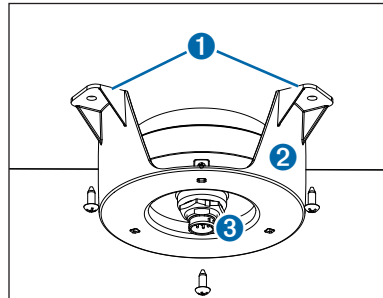
Montage de l'antenne sous le pont

AVIS

Avant de fixer le support de fixation sous le pont, assurez-vous que les vis fournies ne transpercent pas la surface. Si les vis fournies sont trop longues, vous devez acheter des vis appropriées à la surface pour terminer l'installation.

L'antenne n'étant pas capable d'acquies des signaux à travers le métal, elle ne doit être montée que sous une surface en fibre de verre.

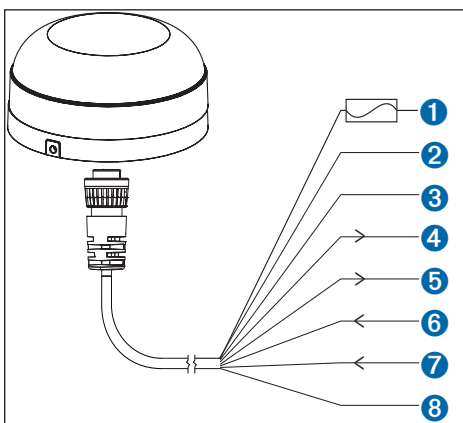
- 1 Déterminez l'emplacement sous une surface en fibre de verre où vous souhaitez monter l'antenne, et testez-le (page 7).



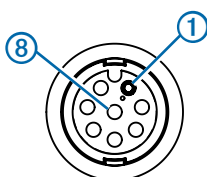
- 2 Placez les éléments adhésifs ❶ sur le support de fixation sous le pont ❷.
- 3 Placez l'antenne dans le support de fixation sous le pont.
- 4 Faites adhérer le support de fixation sous le pont à la surface de montage.
- 5 A l'aide de vis, fixez le support de fixation sous le pont à la surface de montage.
- 6 Branchez le câble à l'antenne ❸.
- 7 Eloignez le câble des sources d'interférences électroniques et reliez-le à l'alimentation et à un périphérique compatible NMEA 0183 (page 9).

Branchement de l'antenne à une source d'alimentation et à un périphérique compatible NMEA 0183

L'antenne doit être branchée à une source d'alimentation et à un périphérique compatible NMEA 0183. Consultez les schémas pour connecter correctement l'antenne. Sur une seule antenne, vous pouvez brancher jusqu'à trois périphériques compatibles NMEA 0183 pour recevoir des données.



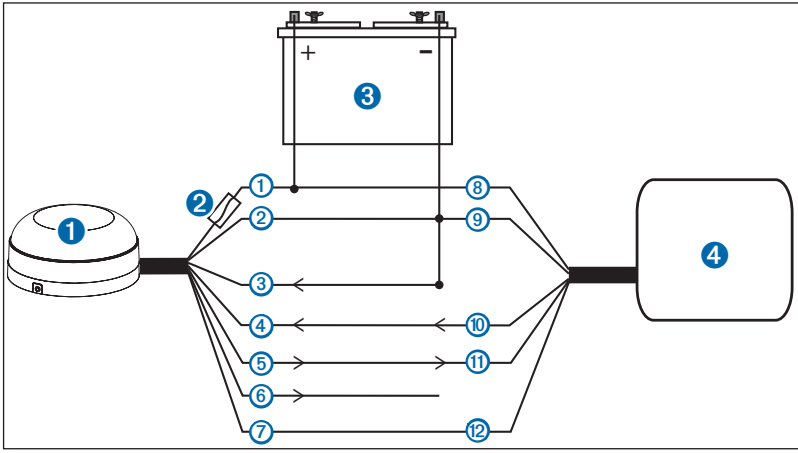
Fil	Couleur	Fonction	Broche
❶	Rouge	Alimentation (+) (fusible 1 A)	3
❷	Noir	Terre (-)	2
❸	Orange	Accessoire-Activé	4
❹	Gris	Tx A(+)	6
❺	Blanc/Rouge	Tx B(-)	5
❻	Blanc	Rx A(+)	1
❼	Blanc/Orange	Rx B(-)	7
❽	Violet	Impulsion par seconde	8



❶	Broche 1
❽	Broche 8

Exemples

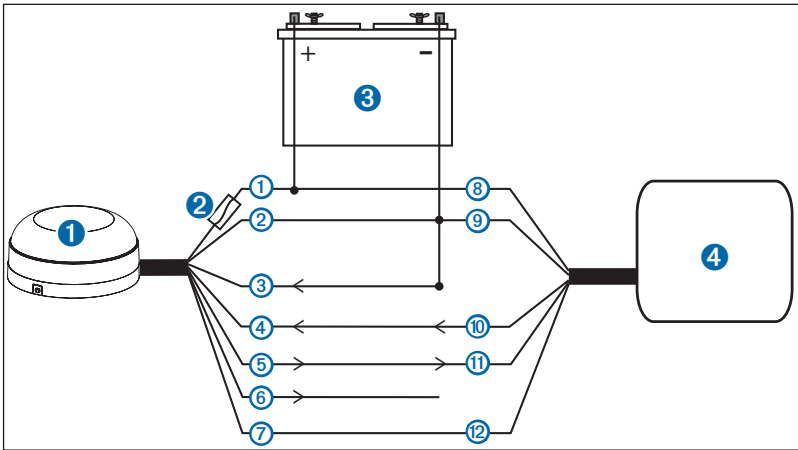
Branchement de l'antenne à un traceur Garmin



Élément	Description
①	Antenne GPS 19x
②	Fusible 1 A
③	Batterie 12 V cc
④	Traceur Garmin compatible NMEA 0183

Fil de l'antenne	Couleur	Fil du traceur	Couleur
①	Rouge	⑧	Rouge
②	Noir	⑨	Noir
③	Blanc/Orange (terre)		
④	Blanc	⑩	Vert
⑤	Gris	⑪	Vert/Blanc
⑥	Blanc/Rouge (non connecté)		
⑦	Orange	⑫	Orange

Branchement de l'antenne à un périphérique compatible NMEA 0183 pour la communication bidirectionnelle



Élément	Description
①	Antenne GPS 19x
②	Fusible 1 A
③	Batterie 12 V cc
④	Traceur Garmin compatible NMEA 0183

Fil de l'antenne	Couleur	Fil du périphérique NMEA 0183	Fonction
①	Rouge	⑧	Alimentation (+)
②	Noir	⑨	Terre (-)
③	Orange	⑩	Accessoire-Activé
④	Gris	⑪	Rx A (+)
⑤	Blanc/Rouge	⑫	Rx B (-)
⑥	Blanc	⑬	Tx A (+)
⑦	Blanc/Orange	⑭	Tx B (-)

Exceptions pour la connexion NMEA 0183

⚠ ATTENTION

Le fil orange (Accessoire-Activé) permet de brancher l'antenne à un traceur Garmin ou à un autre appareil NMEA 0183 doté d'un fil d'interface pour accessoire. Si vous branchez l'antenne à un appareil qui n'est pas doté d'un fil d'interface pour accessoire, le fil orange de l'antenne doit être relié à la terre.

Si vous branchez l'antenne à un appareil qui n'est pas doté d'un fil d'interface pour accessoire (Accessoire-Activé), branchez le fil d'alimentation de l'antenne à l'allumage ou installez un commutateur en ligne. L'antenne risque de vider la batterie du bateau si elle n'est pas commutée.

- Si le périphérique compatible NMEA 0183 n'est doté que d'un seul fil de réception (Rx), reliez-le au fil gris (Tx/A) de l'antenne et ne branchez pas le fil blanc/rouge (Tx/B) de l'antenne.
- Si votre périphérique compatible NMEA 0183 n'est doté que d'un seul fil de transmission (Tx), reliez-le au fil blanc (Rx/A) de l'antenne et reliez le fil blanc/orange (Rx/B) de l'antenne à la terre.

Réglage du rafraîchissement de l'antenne

Par défaut, l'antenne rafraîchit les données de position 10 fois par seconde (NMEA Haute vitesse : 38 400 bps). En installant le câble à résistance fourni, il est possible de diminuer le taux de rafraîchissement des données de position de l'antenne à une fois par seconde (NMEA basse vitesse : 4800 bps).

- 1 Montez l'antenne conformément à ces instructions (page 7).
- 2 Si nécessaire, vous pouvez couper le câble pour que sa longueur soit plus appropriée à l'installation.
- 3 Soudez le câble de changement de taux fourni en l'alignant avec le fil orange Accessoire-Activé.
- 4 Utilisez de la gaine thermorétractible pour les soudures.
- 5 Si vous n'avez pas encore branché l'antenne, branchez les câbles d'alimentation et de données (page 9).

Logiciel du traceur

Pour garantir sa compatibilité avec l'antenne, mettez à niveau le logiciel de votre traceur Garmin. Pour plus d'informations, consultez la page www.garmin.com/support.

Informations d'entretien

Le boîtier est constitué de matériaux de grande qualité et ne nécessite aucun entretien de la part de l'utilisateur en dehors d'un simple nettoyage.

Nettoyage du boîtier

Nettoyez le boîtier externe de l'appareil à l'aide d'un chiffon humide et imbibé de détergent non abrasif, puis essuyez-le.

Évitez les nettoyeurs chimiques et les solvants qui risquent d'endommager les parties en plastique.

Caractéristiques techniques

Dimensions (Diamètre x Hauteur)	91,6 mm x 49,5 mm (3 19/32 po x 1 15/16 po)
Poids	201 g (7,1 onces)
Longueur du câble	9,14 m (30 pieds)
Plage de températures	De -30 °C à 80 °C (de -22 °F à 176 °F)

Matériau du boîtier	Alliage plastique résistant aux chocs hermétiquement fermé, étanche conformément aux normes IEC 60529 IPX7
Distance de sécurité du compas	150 mm (5,9 po)
Alimentation en entrée	8 à 33 V cc, non régulée
Courant en entrée	40 mA à 12 V cc

Informations importantes relatives au produit et à la sécurité

⚠ AVERTISSEMENT

Votre appareil GPS peut utiliser une batterie interne non remplaçable par l'utilisateur à d'autres fins, telles que celle d'horloge en temps réel.

N'essayez pas de retirer la batterie non remplaçable par l'utilisateur.

Si vous souhaitez mettre l'appareil au rebut, rendez-vous dans un service professionnel, tel qu'un centre de traitement des déchets électroniques, qui se chargera de retirer la batterie, puis de la recycler.

Immersion dans l'eau

Cet appareil est étanche, conformément à la norme IEC 60529 IPX7. Il peut résister à une immersion dans l'eau à 1 mètre pendant 30 minutes. Une immersion prolongée risquerait d'endommager l'appareil. Après immersion, essuyez l'appareil et laissez-le sécher à l'air libre avant de l'utiliser.

Déclaration de conformité

Par la présente, Garmin déclare que ce produit est conforme aux principales exigences et autres clauses pertinentes de la directive européenne 1999/5/CE.

Pour prendre connaissance de l'intégralité de la déclaration de conformité, rendez-vous sur le site www.garmin.com/compliance.

Conformité aux normes d'Industrie Canada

Les périphériques de radiocommunication de catégorie I sont conformes à la norme RSS-210 d'Industrie Canada. Les périphériques de radiocommunication de catégorie II sont conformes à la norme RSS-310 d'Industrie Canada. Cet appareil est conforme aux normes RSS sans licence d'Industrie Canada. Son fonctionnement est soumis aux deux conditions suivantes : (1) ce périphérique ne doit pas causer d'interférences et (2) doit accepter toute interférence, y compris les interférences pouvant entraîner un fonctionnement indésirable de l'appareil.

Contrat de licence du logiciel

EN UTILISANT CE PRODUIT, VOUS RECONNAISSEZ ÊTRE LIÉ PAR LES TERMES DU PRESENT CONTRAT DE LICENCE DE LOGICIEL. LISEZ ATTENTIVEMENT CE CONTRAT DE LICENCE.

Garmin concède une licence limitée pour l'utilisation du logiciel intégré à cet appareil (le « Logiciel ») sous la forme d'un programme binaire exécutable dans le cadre du fonctionnement normal du produit. Tout titre, droit de propriété ou droit de propriété intellectuelle dans et concernant le Logiciel est la propriété de Garmin.

Vous reconnaissez que le Logiciel est la propriété de Garmin et qu'il est protégé par les lois en vigueur aux États-Unis d'Amérique et les traités internationaux relatifs au copyright. Vous reconnaissez également que la structure, l'organisation et le code du Logiciel constituent d'importants secrets de fabrication de Garmin et que le code source du Logiciel demeure un important secret de fabrication de Garmin. Vous acceptez de ne pas décompiler, désassembler, modifier, assembler à rebours, effectuer l'ingénierie à rebours ou transcrire en langage humain intelligible

le Logiciel ou toute partie du Logiciel, ou créer toute œuvre dérivée du Logiciel. Vous acceptez de ne pas exporter ni de réexporter le Logiciel vers un pays contrevenant aux lois de contrôle à l'exportation des Etats-Unis d'Amérique.

Garantie limitée

Ce produit Garmin est garanti contre tout défaut de matériel et de fabrication pendant un an à compter de sa date d'achat. Durant cette période, Garmin pourra, à son entière discrétion, réparer ou remplacer tout composant qui s'avérerait défectueux dans le cadre d'un usage normal. Ce type de réparation ou de remplacement ne sera pas facturé au client, qu'il s'agisse des composants ou de la main-d'œuvre, à condition que le client prenne en charge les frais de port. Cette garantie ne couvre pas : (i) les dommages esthétiques, tels que les éraflures, les rayures et les bosses ; (ii) les consommables, comme les piles, à moins que le dommage ne soit dû à un défaut matériel ou de fabrication ; (iii) les dommages provoqués par un accident, une utilisation abusive, une mauvaise utilisation, l'eau, une inondation, un incendie ou toute autre catastrophe naturelle ou cause extérieure ; (iv) les dommages provoqués par des fournisseurs de services non agréés par Garmin ; ou (v) les dommages sur un produit ayant été modifié sans l'autorisation écrite de Garmin. En outre, Garmin se réserve le droit de refuser toute demande de service sous garantie relative à un produit ou service obtenu et/ou utilisé en violation des lois de tout pays.

Ce produit est uniquement une aide à la navigation et il ne doit pas être utilisé à d'autres fins exigeant l'évaluation précise de la direction, de la distance, de la position ou de la topographie. Garmin n'offre aucune garantie quant à la précision et à l'exhaustivité des données cartographiques du présent produit.

LES GARANTIES ET RECOURS CONTENUS DANS LE PRESENT DOCUMENT SONT EXCLUSIFS ET ANNULENT TOUTE AUTRE GARANTIE EXPRESSE, IMPLICITE OU LEGALE, Y COMPRIS TOUTE RESPONSABILITE RESULTANT DE TOUTE GARANTIE DE QUALITE MARCHANDE OU D'ADEQUATION A UN USAGE PARTICULIER, QU'ELLE SOIT LEGALE OU AUTRE. CETTE GARANTIE VOUS OCTROIE DES DROITS PARTICULIERS, QUI PEUVENT VARIER D'UN ETAT A L'AUTRE.

GARMIN NE SAURAIT EN AUCUN CAS ETRE TENUE RESPONSABLE DES DOMMAGES SPECIAUX, INDIRECTS, ACCESSOIRES OU CONSECUTIFS, Y COMPRIS SANS LIMITATION DES AMENDES OU CITATIONS EN JUSTICE, QU'ILS RESULTENT DE L'UTILISATION NORMALE OU ABUSIVE OU DE L'IMPOSSIBILITE D'UTILISER LE PRODUIT OU ENCORE D'UN DEFAUT DU PRODUIT. CERTAINS ETATS INTERDISANT L'EXCLUSION OU LA RESTRICTION DES DOMMAGES ACCESSOIRES OU CONSECUTIFS, LES RESTRICTIONS SUSMENTIONNEES PEUVENT NE PAS VOUS CONCERNER.

Garmin se réserve le droit exclusif de réparer le périphérique ou le logiciel, ou de les remplacer (par un produit de remplacement neuf ou entièrement révisé) ou de proposer le remboursement intégral du prix d'achat à son entière discrétion. CE TYPE DE RECOURS SERA VOTRE RECOURS UNIQUE ET EXCLUSIF POUR TOUTE RUPTURE DE GARANTIE.

Pour bénéficier d'un service sous garantie, contactez votre revendeur agréé Garmin ou appelez le service d'assistance produit de Garmin pour obtenir les instructions relatives à l'expédition du produit, ainsi qu'un numéro de suivi RMA. Emballez avec soin le périphérique en y joignant une copie de l'original de la facture, qui fera office de preuve d'achat

dans le cas de réparations sous garantie. Inscrivez lisiblement le numéro de suivi sur l'extérieur du paquet. Envoyez le périphérique, frais de port prépayés, à un centre de services sous garantie Garmin.

Achats dans le cadre d'enchères en ligne : les produits achetés au cours d'enchères en ligne ne sont pas couverts par la garantie. Les confirmations de vente aux enchères en ligne ne sont pas acceptées dans le cadre d'une vérification sous garantie. Pour bénéficier d'un service sous garantie, l'original ou une copie de la facture dressée par le premier revendeur doit être présenté(e). Garmin ne procédera à aucun remplacement de composant manquant sur tout produit acheté dans le cadre d'enchères en ligne.

Achats internationaux : selon les pays, une garantie distincte peut être accordée par les distributeurs internationaux pour les périphériques achetés hors des Etats-Unis. Le cas échéant, cette garantie est fournie par le distributeur du pays d'achat et ledit distributeur prend en charge les services locaux nécessaires pour votre périphérique. Les garanties distributeur sont valides uniquement dans les zones de distribution visées. En cas de problème, les périphériques achetés aux Etats-Unis ou au Canada doivent être renvoyés aux ateliers de réparations Garmin du Royaume-Uni, des Etats-Unis, du Canada ou de Taïwan.

Achats en Australie : nos produits bénéficient de garanties ne pouvant pas être exclues en vertu de la loi de protection du consommateur australienne (Australian Consumer Law). Vous avez le droit à un remplacement ou un remboursement suite à une défaillance majeure et à une indemnisation pour toute autre perte ou dommage raisonnablement prévisible. Vous avez également droit à une réparation ou un remplacement des produits si les matériaux ne sont pas de qualité satisfaisante et que la défaillance n'est pas majeure. Les prestations découlant de notre garantie limitée s'ajoutent aux autres droits et recours existants en vertu de la loi applicable à ces produits.

Garmin Australasia
Unit 19, 167 Prospect Highway
Seven Hills, NSW, Australia, 2147
Téléphone : 1800 822 235

Politique de garantie des produits marine

Garmin : pour certains produits marine de Garmin de certaines régions du monde, la période de garantie est plus longue et des conditions supplémentaires s'appliquent. Rendez-vous sur le site www.garmin.com/support/warranty.html pour plus de détails et pour savoir si votre produit est couvert par la politique des produits marine de Garmin.

Istruzioni di installazione dell'antenna GPS 19x NMEA 0183

ATTENZIONE

Durante le operazioni di foratura, taglio o carteggiatura, indossare degli occhiali protettivi, una maschera antipolvere e un'adeguata protezione per l'udito.

AVVERTENZA

Prima di effettuare operazioni di foratura o taglio, verificare l'eventuale presenza di oggetti nel lato opposto della superficie da tagliare.

L'antenna ad alta sensibilità Garmin GPS 19x NMEA 0183 HVS fornisce informazioni sulla posizione tramite la rete NMEA 0183. L'antenna GPS 19x NMEA 0183 HVS può essere collegata a un chartplotter Garmin o a un altro dispositivo compatibile NMEA 0183.

L'antenna deve essere installata seguendo le seguenti istruzioni. Procurarsi gli elementi di fissaggio, gli strumenti e i supporti appropriati indicati in ciascuna sezione. Questi articoli sono generalmente disponibili presso i rivenditori di strumentazione per la navigazione.

NOTA: Durante il collegamento di questa antenna a un dispositivo GPSMAP serie 2000, 3000, 4000 o 5000 è necessario limitare la frequenza di aggiornamento (vedere [pagina 16](#)). Se la frequenza di aggiornamento non viene limitata è possibile che il chartplotter non riceva o visualizzi correttamente il segnale GPS.

Registrazione del dispositivo

- Visitare il sito Web <http://my.garmin.com>.
- Conservare in un luogo sicuro la ricevuta di acquisto originale o la fotocopia.

Per riferimento futuro, scrivere il numero di serie dell'antenna nell'apposito spazio. Il numero è riportato su un'etichetta adesiva sulla parte posteriore dell'antenna.

Numero di serie

Come contattare il servizio di assistenza Garmin

- Visitare il sito Web www.garmin.com/support e fare clic su **Contact Support** per ottenere informazioni relative all'assistenza sul territorio nazionale.
- Negli Stati Uniti, chiamare il numero (913) 397.8200 o (800) 800.1020.
- Nel Regno Unito, chiamare il numero 0800 2380000.
- In Europa, chiamare il numero +44 (0) 870.8501241.

Strumenti necessari

- Trapano
- Punta da trapano da 3,2 mm ($1/8$ poll.)
- Punta da trapano da 19 mm ($3/4$ poll.) per praticare un foro per il passaggio del cavo nel montaggio su asta
- Punta con fresa a tazza da 25 mm (1 poll.) per praticare un foro per il passaggio del cavo nell'installazione a filo
- Cacciavite (scelto in base al tipo di vite)
- Punta svasata per il montaggio su fibra di vetro
- Sigillante marino per alcune opzioni di montaggio
- Stagno e pellicola termoretraibile
 - Necessari per effettuare i collegamenti dei cavi
 - Necessari quando si limita la frequenza dell'antenna a un 1 Hz ([pagina 16](#))

Accessori opzionali

- Viti per il montaggio interno

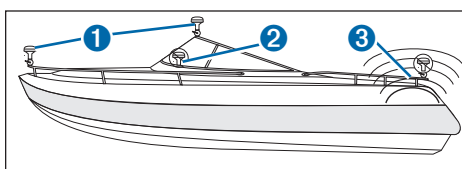
Considerazioni sul tipo e sulla posizione di montaggio

È possibile montare l'antenna su una superficie piana, fissarla a un'asta filettata a tubo OD standard da 1 poll. (14 filetti per pollice, non in dotazione) o installarla sotto un piano in fibra di vetro.

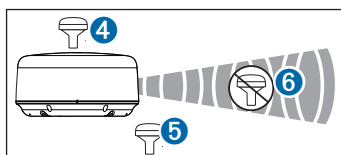
Per avere prestazioni ottimali, tenere in considerazione le presenti istruzioni quando si sceglie la posizione in cui montare l'antenna.

- L'antenna deve essere montata a una distanza di 150 mm (5,9 poll.) dalla bussola per evitare possibili interferenze.
- Per garantire una ricezione ottimale, l'antenna deve essere montata in una posizione di

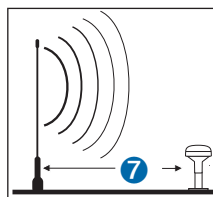
modo tale che riesca ad avere una chiara visualizzazione del cielo ①.



- L'antenna non deve essere montata in posizioni in cui verrebbe coperta da parti dell'imbarcazione ②, dall'antenna radar o dall'albero.
- L'antenna non deve essere montata in prossimità del motore o di altre sorgenti di interferenze elettromagnetiche (EMI) ③.
- Se è presente un radar, è preferibile installare l'antenna in alto rispetto al cono di trasmissione di quest'ultimo ④. In alternativa si potrà installarla anche al di sotto ⑤. L'antenna non deve essere installata nel fascio di trasmissione del radar ⑥.



- L'antenna deve essere montata a una distanza di almeno 1 m (3 piedi) dal fascio di trasmissione di antenne radar o antenne VHF (preferibilmente posizionata al di sopra di tali antenne) ⑦.



- Sulle imbarcazioni a vela, per impedire che la lettura della velocità risulti imprecisa a causa dell'eccessiva inclinazione, l'antenna non deve essere montata nella parte alta dell'albero.
- L'antenna fornisce letture più stabili se posizionata in prossimità del livello dell'acqua.

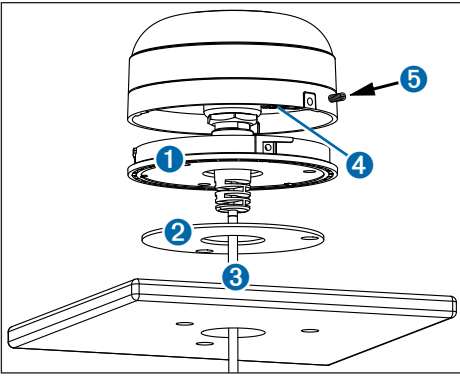
Verifica della posizione di montaggio

- 1 Fissare temporaneamente l'antenna nella posizione prescelta e verificarne il corretto funzionamento.
- 2 Se si verificano interferenze con altri dispositivi elettronici, spostare l'antenna in un'altra posizione e verificarne nuovamente il funzionamento.
- 3 Ripetere i passaggi 1 e 2 finché non si è certi che l'antenna funzioni correttamente.
- 4 Fissare l'antenna in modo permanente.

Montaggio a filo dell'antenna

Prima di fissare l'antenna in modo definitivo, verificarne il corretto funzionamento sulla posizione di montaggio scelta ([pagina 13](#)).

Utilizzare la staffa di montaggio su superficie ① come indicato nel modello di montaggio.



- 1 Utilizzare una matita per segnare le tre posizioni delle viti e il foro al centro per il passaggio del cavo.
- 2 Mettere da parte la staffa per l'installazione a filo. Non forare la staffa per l'installazione a filo.
- 3 Praticare i tre fori di riferimento da 3,2 mm ($\frac{1}{8}$ poll.).
NOTA: se si sta montando l'antenna GPS 19x su fibra di vetro, si consiglia di utilizzare una punta per creare l'invito della vite attraverso lo strato di resina (di diametro inferiore a quello della vite). Ciò consentirà di evitare l'incrinatura dello strato di resina quando vengono serrate le viti.
- 4 Utilizzare una punta a tazza da 25 mm (1 poll.) per praticare il foro centrale per il passaggio del cavo.
- 5 Posizionare la guarnizione di tenuta 2 sul fondo della staffa di installazione a filo, allineando i fori delle viti.
- 6 Utilizzare le viti M4 fornite in dotazione per fissare la staffa per l'installazione a filo.
- 7 Far passare il cavo 3 attraverso il foro da 25 mm (1 poll.) e fissarlo all'antenna.
- 8 Assicurarsi che la guarnizione spessa 4 sia correttamente applicata sulla base dell'antenna, posizionare l'antenna sulla staffa per l'installazione a filo e ruotarla in senso orario per bloccarla.
- 9 Fissare l'antenna alla staffa di montaggio con la serie di viti M3 5 fornite in dotazione.
- 10 Far passare il cavo lontano da sorgenti elettroniche e collegarlo all'alimentazione e a un dispositivo compatibile con NMEA 0183 (pagina 15).

Installazione dell'antenna su asta

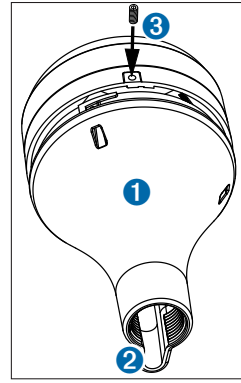
Con l'adattatore per l'installazione su asta è possibile montare l'antenna Gps su un'asta filettata a tubo OD standard da 1 poll. (14 filetti per pollice, non in dotazione).

È possibile far passare il cavo all'esterno o attraverso l'asta.

Prima di fissare l'antenna in modo definitivo, verificarne il corretto funzionamento sulla posizione di montaggio scelta (pagina 13).

Montaggio dell'antenna con il passaggio del cavo all'esterno dell'asta

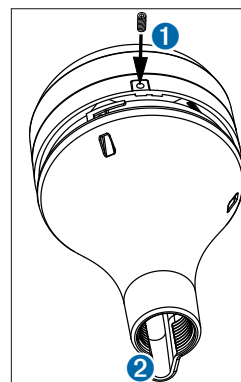
- 1 Far passare il cavo attraverso l'adattatore per montaggio su asta 1 e posizionare il cavo nella fessura verticale 2 sulla base dell'adattatore per montaggio su asta.



- 2 Avvitare l'adattatore su un'asta filettata a tubo OD standard da 1 poll. (14 filetti per pollice, non in dotazione).
Non serrare l'adattatore sull'asta più del necessario.
- 3 Collegare il cavo all'antenna.
- 4 Posizionare l'antenna sull'adattatore per montaggio su asta e ruotarla in senso orario per fissarla.
- 5 Fissare l'antenna all'adattatore con la serie di viti M3 3 fornite in dotazione.
- 6 Dopo aver installato l'antenna sulla staffa per asta, adoperare un sigillante marino per riempire gli spazi vuoti dell'uscita del cavo (opzionale).
- 7 Fissare l'asta all'imbarcazione.
- 8 Far passare il cavo lontano da sorgenti elettroniche e collegarlo all'alimentazione e al dispositivo compatibile con NMEA 0183 (pagina 15).

Montaggio dell'antenna con il cavo instradato attraverso l'asta

- 1 Posizionare un'asta filettata a tubo OD da 1 poll. (14 filetti per pollice, non in dotazione) nel punto scelto e contrassegnare il centro approssimativo dell'asta.
- 2 Praticare un foro utilizzando una punta da trapano da 19 mm ($\frac{3}{4}$ poll.) attraverso cui far passare il cavo.
- 3 Fissare l'asta all'imbarcazione.
- 4 Inserire l'adattatore per montaggio su asta. Non serrare l'adattatore più del necessario.
- 5 Far passare il cavo attraverso l'asta e collegarlo all'antenna.
- 6 Posizionare l'antenna sull'adattatore per montaggio su asta e ruotarla in senso orario per fissarla.
- 7 Fissare l'antenna all'adattatore con la serie di viti M3 1 fornite in dotazione.



- 8 Dopo avere installato l'antenna alla staffa, adoperare un sigillante marino per riempire l'intercapedine in prossimità dell'uscita del cavo 2 (opzionale).
- 9 Far passare il cavo lontano da sorgenti di interferenze elettroniche e collegarlo

all'alimentazione e a un dispositivo compatibile con NMEA 0183 (pagina 15).

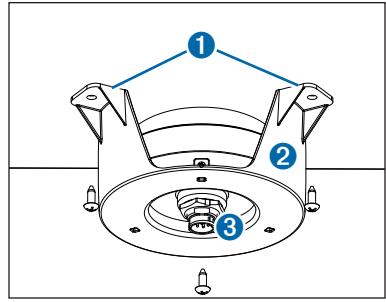
Installazione interna dell'antenna

AVVERTENZA

Prima di fissare la staffa per il montaggio interno, verificare che la lunghezza delle viti sia corretta di modo da non rovinare la superficie nel lato opposto. Se le viti fornite sono troppo lunghe, è necessario acquistare viti appropriate allo spessore della superficie per completare l'installazione.

Poiché l'antenna non è in grado di acquisire i segnali attraverso il metallo, deve essere installata soltanto in presenza di fibra di vetro.

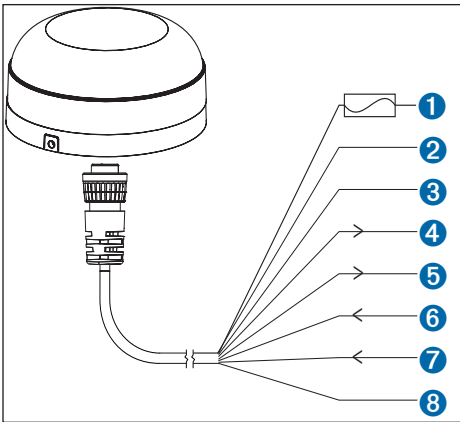
- 1 Individuare e verificare la posizione in cui si desidera installare l'antenna (pagina 13).



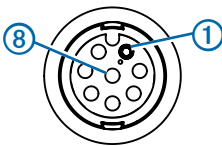
- 2 Posizionare le strisce adesive 1 sulla staffa per l'installazione da interno 2.
- 3 Posizionare l'antenna sulla staffa per l'installazione da interno.
- 4 Far aderire la staffa alla superficie di montaggio.
- 5 Fissare la staffa alla superficie di montaggio con le viti fornite.
- 6 Collegare il cavo all'antenna 3.
- 7 Far passare il cavo lontano da sorgenti elettroniche e collegarlo all'alimentazione e a un dispositivo compatibile con NMEA 0183 (pagina 15).

Collegamento dell'antenna all'alimentazione e a un dispositivo compatibile con NMEA 0183

L'antenna deve essere collegata all'alimentazione e a un dispositivo compatibile NMEA 0183. Utilizzare i seguenti schemi per collegare correttamente l'antenna. È possibile collegare fino a tre dispositivi compatibili NMEA 0183 per ricevere dati dall'antenna.



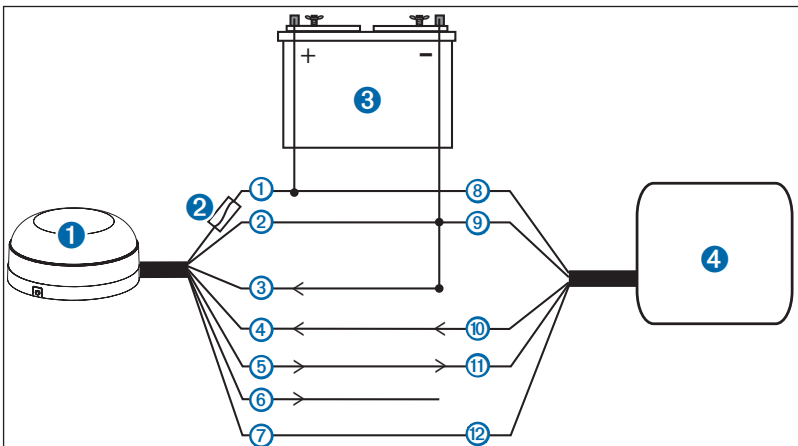
Cavo	Colore	Funzione	Pin
1	Rosso	Alimentazione (+) (fusibile 1A)	3
2	Nero	Terra (-)	2
3	Arancione	Alimentazione accessorio	4
4	Grigio	Tx A(+)	6
5	Bianco/rosso	Tx B(-)	5
6	Bianco	Rx A(+)	1
7	Bianco/arancione	Rx B(-)	7
8	Viola	Pulsazioni al secondo (PPS)	8



1	Pin 1
8	Pin 8

Esempi

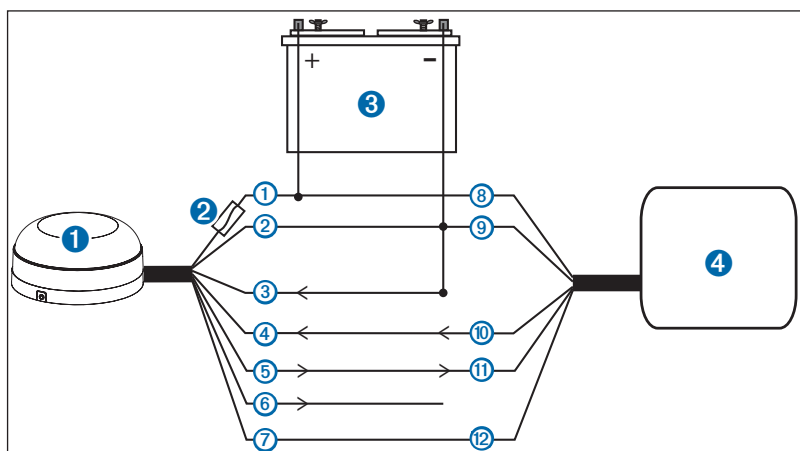
Collegamento dell'antenna a un chartplotter Garmin



Elemento	Descrizione
1	Antenna GPS 19x
2	Fusibile 1 A
3	Batteria da 12 V CC
4	Chartplotter compatibile con NMEA 0183 di Garmin

Cavo dell'antenna	Colore	Cavo del chartplotter	Colore
1	Rosso	8	Rosso
2	Nero	9	Nero
3	Bianco/arancione (terra)		
4	Bianco	10	Verde
5	Grigio	11	Verde/bianco
6	Bianco/rosso (non collegato)		
7	Arancione	12	Arancione

Collegamento dell'antenna a un dispositivo compatibile con NMEA 0183 per la comunicazione bidirezionale



Elemento	Descrizione
1	Antenna GPS 19x
2	Fusibile 1 A
3	Batteria da 12 V CC
4	Chartplotter compatibile con NMEA 0183 di Garmin

Cavo dell'antenna	Colore	Cavo del dispositivo NMEA 0183	Funzione
1	Rosso	8	Alimentazione (+)
2	Nero	9	Terra (-)
3	Arancione	10	Alimentazione accessorio
4	Grigio	11	Rx A (+)
5	Bianco/rosso	12	Rx B (-)
6	Bianco	13	Tx A (+)
7	Bianco/arancione	14	Tx B (-)

Eccezioni per il collegamento di NMEA 0183

⚠ ATTENZIONE

Il cavo arancione (accensione accessorio) è utilizzato per il collegamento dell'antenna a un chartplotter Garmin o a un altro dispositivo NMEA 0183 provvisto del cavo di accensione. Se si collega l'antenna a un dispositivo che non ha un cavo di accensione accessorio, il cavo arancione dell'antenna deve essere collegato a terra.

Se si collega l'antenna a un dispositivo sprovvisto di un cavo di accensione accessorio (alimentazione accessorio), collegare il cavo di alimentazione dell'antenna all'interruttore di accensione oppure installare un interruttore in linea. L'antenna consuma la batteria dell'imbarcazione se non è collegata a un interruttore.

- Se il dispositivo compatibile NMEA 0183 dispone solo di un cavo di ricezione (Rx), collegarlo al cavo grigio (Tx/A) dell'antenna, lasciando il cavo bianco/rosso proveniente dall'antenna (Tx/B) scollegato.
- Se il dispositivo compatibile con NMEA 0183 dispone solo di un cavo di trasmissione (Tx), collegarlo al cavo bianco (Rx/A) dell'antenna, collegando a terra il cavo bianco/arancione proveniente dall'antenna (Rx/B).

Limitazione Baud Rate

Per impostazione predefinita, i dati della posizione dell'antenna vengono aggiornati 10 volte al secondo utilizzando un baud rate di 38400 bps. Utilizzando il cavo viola è possibile limitare la frequenza con la quale l'antenna trasmette gli aggiornamenti sui dati della posizione a una volta al secondo utilizzando la frequenza di comunicazione seriale di 4800 bps.

- 1 Montare l'antenna seguendo le presenti istruzioni (pagina 13).
- 2 Se necessario, tagliare il cavo alla lunghezza necessaria per l'installazione.
- 3 Connettere il cavo di color viola con il cavo arancione di alimentazione accessorio.
- 4 Applicare la guaina termorestringente ai collegamenti saldati.
- 5 Se l'antenna non è stata ancora installata, collegare i cavi di alimentazione e dati (pagina 15).

Software del chartplotter

Per garantire la compatibilità con l'antenna, aggiornare il chartplotter Garmin con il software più recente. Per ulteriori informazioni, visitare il sito Web www.garmin.com/support.

Informazioni sulla manutenzione

La scocca dell'antenna è realizzata con materiali di elevata qualità e, oltre alle normali operazioni di pulizia, non necessita di manutenzione straordinaria.

Pulizia della custodia

Pulire la parte esterna del dispositivo utilizzando un panno inumidito con una soluzione detergente non aggressiva, quindi asciugarla.

Evitare l'uso di detergenti chimici e solventi che possono danneggiare i componenti di plastica.

Specifiche

Dimensioni (Diametro × Altezza)	91,6 × 49,5 mm (3 19/32 × 1 15/16 poll.)
Peso	201 g (7,1 once)
Lunghezza del cavo	9,14 m (30 piedi)
Intervallo di temperatura	Da -30 a 80 °C (da -22 a 176 °F)
Materiale della scocca	Completamente stagno, lega in plastica a elevata resistenza, impermeabile in conformità agli standard IEC 60529 IPX7
Distanza di sicurezza dalla bussola	150 mm (5,9 poll.)
Alimentazione in entrata	8-33 V CC, non stabilizzata
Corrente in entrata	40 mA a 12 V CC

Informazioni importanti sulla sicurezza e sul prodotto

⚠ ATTENZIONE

L'unità GPS potrebbe utilizzare una batteria interna non sostituibile per vari scopi, ad esempio un orologio con l'ora corrente.

Non rimuovere o tentare di rimuovere la batteria non sostituibile dall'utente.

Quando si smaltisce l'unità, portarla presso un centro di assistenza specializzato nel trattamento di apparecchiature elettroniche, per far rimuovere e riciclare la batteria.

Immersione subacquea

Il dispositivo è impermeabile in conformità allo Standard IEC 60529 IPX7. Può essere immerso in 1 metro d'acqua per 30 minuti, mentre le immersioni prolungate possono danneggiarlo. Dopo l'immersione, asciugare il dispositivo con un panno ed esporlo all'aria aperta prima di ricollegarlo.

Dichiarazione di conformità

Con il presente documento, Garmin dichiara che questo prodotto è conforme ai requisiti essenziali e alle altre disposizioni in materia previste dalla Direttiva 1999/5/CE. Per visualizzare la versione integrale della Dichiarazione di conformità, visitare il sito Web www.garmin.com/compliance.

Contratto di licenza software

L'USO DEL DISPOSITIVO IMPLICA L'ACCETTAZIONE DEI TERMINI E DELLE CONDIZIONI SPECIFICATI NEL SEGUENTE CONTRATTO DI LICENZA SOFTWARE. LEGGERE ATTENTAMENTE IL PRESENTE CONTRATTO.

Garmin concede una licenza limitata per l'utilizzo del software integrato in questa periferica (il "Software") in forma binaria per il normale funzionamento del prodotto. Il titolo e i diritti di proprietà e proprietà intellettuale relativi al Software sono esclusivi di Garmin.

L'utente prende atto che il Software è di proprietà di Garmin ed è protetto dalle leggi sul copyright in vigore negli Stati Uniti d'America e dai trattati internazionali sul copyright. L'utente riconosce inoltre che la struttura, l'organizzazione e il codice del Software sono considerati segreti commerciali di

Garmin e che il Software in formato sorgente resta un segreto commerciale di Garmin. L'utente accetta di non decompilare, disassemblare, modificare, decodificare o convertire in formato leggibile il Software o parte di esso né di creare altri prodotti basati sul Software. L'utente accetta di non esportare o riesportare il Software in qualsiasi Paese in violazione delle leggi sul controllo delle esportazioni in vigore negli Stati Uniti.

Garanzia limitata

Garmin garantisce che il presente prodotto è privo di difetti nei materiali e di fabbricazione per un periodo di due anni dalla data di acquisto. Durante questo periodo, Garmin provvederà, a sua esclusiva discrezione, a riparare o sostituire i componenti danneggiati in condizioni di normale utilizzo. Il costo delle parti o della manodopera per gli interventi di riparazione o sostituzione non sarà a carico del cliente, a cui verranno invece addebitati i costi di spedizione. La presente garanzia non si applica a: (i) danni estetici, quali graffi, tagli e ammaccature; (ii) materiali di consumo, quali batterie, a meno che il danno del prodotto non si sia verificato a causa di un difetto nei materiali o di fabbricazione; (iii) danni causati da incidenti, abuso, uso improprio, acqua, alluvioni, fuoco o altri eventi naturali o cause esterne; (iv) danni causati da un soggetto diverso da un provider del servizio Garmin non autorizzato; o (v) danni a un prodotto che è stato modificato o alterato senza l'autorizzazione scritta di Garmin. Inoltre, Garmin si riserva il diritto di rifiutare le richieste di risarcimento relative alla garanzia per i prodotti o servizi ottenuti e/o utilizzati violando le leggi di qualunque Paese.

Questo prodotto è inteso unicamente come ausilio di viaggio e non deve essere utilizzato per scopi che richiedano la misurazione precisa di direzione, distanza, posizione o topografia. Garmin non garantisce l'accuratezza né la completezza dei dati delle mappe in questo prodotto.

LA PRESENTE GARANZIA E I RELATIVI RIMEDI SONO ESCLUSIVI E SOSTITUTIVI DI QUALSIASI GARANZIA ESPRESSA, IMPLICITA O DI LEGGE, COMPRESSE EVENTUALI RESPONSABILITÀ IMPUTABILI A GARANZIE DI COMMERCIALITÀ O IDONEITÀ PER UNO SCOPO SPECIFICO, DI LEGGE O DI ALTRO TIPO. LA PRESENTE GARANZIA DÀ LUOGO A SPECIFICI DIRITTI LEGALI, CHE POSSONO VARIARE DA STATO A STATO.

IN NESSUN CASO GARMIN SARÀ RITENUTA RESPONSABILE DI EVENTUALI DANNI ACCIDENTALI, SPECIALI, INDIRECTI O CONSEQUENZIALI, INCLUSE, SENZA LIMITAZIONI, CONTRAVVENZIONI PER VIOLAZIONI DEL CODICE STRADALE O CITAZIONI, IMPUTABILI A UN UTILIZZO SCORRETTO, IMPROPRIO O NON AUTORIZZATO DEL PRODOTTO O A DIFETTI DELLO STESSO. IN ALCUNE GIURISDIZIONI, NON È CONSENTITA L'ESCLUSIONE DI DANNI INCIDENTALI O INDIRECTI, PERTANTO LE LIMITAZIONI DI CUI SOPRA NON VERRANNO APPLICATE.

Garmin mantiene il diritto esclusivo di riparare o sostituire (con un prodotto sostitutivo nuovo o sottoposto recentemente a revisione) il dispositivo o il software e di offrire, a sua esclusiva discrezione, il rimborso totale del prezzo di acquisto. IN CASO DI VIOLAZIONE DELLA GARANZIA, SI APPLICHERÀ ESCLUSIVAMENTE TALE RIMEDIO.

Per ottenere il servizio di assistenza in garanzia, contattare il rivenditore Garmin autorizzato di zona o contattare il servizio di assistenza Garmin per ricevere istruzioni sulla spedizione e sul numero RMA di autorizzazione al reso. Inserire il dispositivo in un imballaggio sicuro con una copia della ricevuta originale, come prova d'acquisto per gli interventi

di riparazione in garanzia. Riportare il numero di tracciabilità in maniera leggibile sull'imballaggio. Spedire il dispositivo, pagando le spese di spedizione, a un centro di assistenza in garanzia Garmin.

Acquisti tramite aste online: i prodotti acquistati tramite aste online non sono coperti da garanzia. La conferma di acquisto tramite asta online non costituisce certificato di garanzia. Per ottenere l'assistenza in garanzia, viene richiesto il documento originale o la copia della ricevuta di acquisto fornita dal rivenditore. Garmin non provvederà alla sostituzione di parti mancanti per gli acquisti effettuati tramite asta online.

Acquisti internazionali: i distributori internazionali potrebbero fornire una garanzia separata per i dispositivi acquistati fuori dagli Stati Uniti, a seconda del Paese. Tale garanzia viene fornita dal distributore nazionale di zona, che provvederà anche all'assistenza in zona del dispositivo. Le garanzie del distributore hanno validità esclusivamente nell'area di distribuzione designata. Per ricevere assistenza, i dispositivi venduti negli Stati Uniti o in Canada devono essere restituiti al centro di assistenza Garmin nel Regno Unito, negli Stati Uniti, in Canada o a Taiwan.

Acquisti in Australia: i prodotti Garmin sono coperti da garanzie che non possono essere escluse secondo la legge australiana a tutela dei consumatori. L'utente ha diritto alla sostituzione o al rimborso per un guasto principale e come compensazione di altre perdite o danni prevedibili. L'utente ha anche diritto alla riparazione o sostituzione dei prodotti se non soddisfano requisiti di qualità accettabili e se il guasto non è principale. I vantaggi della Garanzia limitata si aggiungono ad altri diritti e rimedi previsti dalla legge applicabile relativa ai prodotti.

Garmin Australasia
Unit 19, 167 Prospect Highway
Seven Hills, NSW, Australia, 2147
Telefono: 1800 822 235

Informativa sulla garanzia dei prodotti nautici di Garmin: alcuni prodotti nautici di Garmin dispongono di un periodo

di garanzia prolungato in alcune aree e sono soggetti a ulteriori termini e condizioni. Visitare il sito Web www.garmin.com/support/warranty.html per ulteriori dettagli e per verificare che il prodotto in uso sia coperto dall'informativa sulla garanzia dei prodotti nautici di Garmin.

GPS 19x NMEA 0183 – Installationsanweisungen

ACHTUNG

Tragen Sie beim Bohren, Schneiden und Schleifen immer Schutzbrille, Gehörschutz und eine Staubschutzmaske.

HINWEIS

Prüfen Sie beim Bohren oder Schneiden stets die andere Seite der zu bearbeitenden Fläche.

Die hochempfindliche Garmin GPS-Antenne GPS 19x NMEA 0183 HVS liefert Positionsdaten über NMEA 0183. Die GPS 19x NMEA 0183 HVS kann an einen Garmin-Kartenplotter oder ein anderes NMEA 0183-kompatibles Gerät angeschlossen werden.

Die Antenne muss gemäß diesen Anweisungen ordnungsgemäß montiert werden. Sie benötigen die entsprechenden Befestigungsmittel, Werkzeuge und Halterungen, die in jedem Abschnitt aufgeführt werden. Diese sind bei den meisten Händlern für Marinebedarf erhältlich.

HINWEIS: Wenn Sie diese Antenne mit einem Gerät der Serie GPSMAP 2000, 3000, 4000 oder 5000

verbinden, müssen Sie die Aktualisierungsrate einschränken (siehe [Seite 22](#)). Wird die Aktualisierungsrate nicht eingeschränkt, kann der Kartenplotter das GPS-Signal möglicherweise nicht ordnungsgemäß empfangen und anzeigen.

Registrieren des Geräts

- Rufen Sie die Website <http://my.garmin.com> auf.
- Bewahren Sie die Originalquittung oder eine Kopie an einem sicheren Ort auf.

Tragen Sie die Seriennummer der Antenne zur späteren Verwendung in den dafür vorgesehenen Bereich ein. Sie finden die Nummer auf einem Etikett an der Rückseite der Antenne.

Seriennummer

Kontaktaufnahme mit dem Support von Garmin

- Rufen Sie die Website www.garmin.com/support auf, und klicken Sie auf **Contact Support**, um Informationen zum Support in den einzelnen Ländern zu erhalten.
- Nutzen Sie als Kunde in den USA die Rufnummern +1-913-397-8200 oder +1-800-800-1020.
- Nutzen Sie als Kunde in Großbritannien die Rufnummer 0808 238 0000.
- Nutzen Sie als Kunde in Europa die Rufnummer +44 (0) 870 850 1241.

Erforderliches Werkzeug

- Bohrmaschine
- 3,2-mm-Bohrer ($1/8$ Zoll)
- 19-mm-Bohrer ($3/4$ Zoll) für eine Kabelöffnung für die Stangenmontage
- 25-mm-Lochsäge (1 Zoll) für eine Kabelöffnung für die aufgesetzte Montage
- Schraubendreher für die jeweiligen Schraubentypen
- Senkbohrkopf für die Montage an einer Glasfaseroberfläche
- Seewassertaugliches Dichtungsmittel für einige Montagemöglichkeiten
- Material zum Löteten und Einschrumpfen
 - Für alle Drahtanschlüsse erforderlich
 - Wird besonders bei Beschränkung der Antenne auf 1 Hz benötigt ([Seite 22](#))

Optionales Zubehör

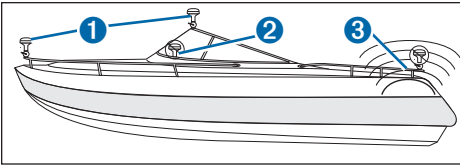
- Schrauben für die Montage unter Deck

Hinweise zur Auswahl der Art der Montage und des Montageorts

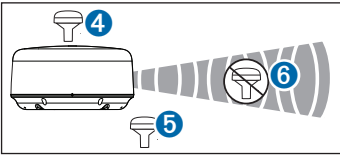
Sie können die Antenne aufgesetzt, an einer Standardstange mit einem Außendurchmesser von 1 Zoll und einem Gewinde mit 14 Windungen pro Zoll (nicht enthalten) oder unter einer Glasfaseroberfläche montieren.

Damit eine optimale Leistung gewährleistet ist, berücksichtigen Sie bei der Auswahl eines Montageorts folgende Richtlinien:

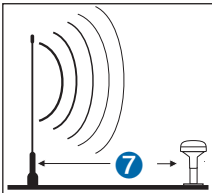
- Die Antenne muss in einem Abstand von 150 mm (5,9 Zoll) von einem Magnetkompass montiert werden, um Störungen zu vermeiden.
- Sorgen Sie für einen bestmöglichen Empfang, indem Sie die Antenne so anbringen, dass in alle Richtungen freie Sicht zum Himmel besteht **1**.



- Die Antenne sollte nicht von den Aufbauten des Schiffs **2**, einer Radomantenne oder dem Mast verdeckt sein.
- Die Antenne sollte nicht in der Nähe des Motors oder anderer elektromagnetischer Störquellen (EMI) montiert werden **3**.
- Wenn das Schiff über Radar verfügt, sollte die Antenne über dem Pfad des Radarstrahls installiert werden **4**. Eine Installation unter dem Pfad des Radarstrahls ist jedoch möglich, sollte dies erforderlich sein **5**. Die Antenne sollte nicht direkt im Pfad des Radarstrahls installiert werden **6**.



- Die Antenne sollte in einem Abstand von mindestens 1 m (3 Fuß) zum Radarstrahl (möglichst oberhalb davon) oder zur VHF-Funkantenne installiert werden **7**.



- Auf einem Segelboot sollte die Antenne nicht zu hoch am Mast montiert werden, um die Geschwindigkeitsmesswerte nicht durch übermäßiges Krängen zu verfälschen.
- Bei der Montage in der Nähe der Wasseroberfläche liefert die Antenne stabilere Werte.

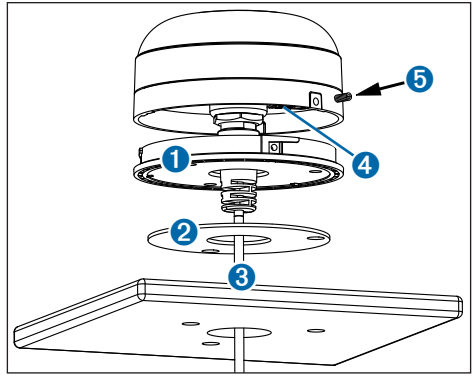
Testen des Montageorts

- 1 Positionieren Sie die Antenne vorläufig an ihrem vorgesehenen Ort, und prüfen Sie, ob sie ordnungsgemäß funktioniert.
- 2 Wenn es zu Störungen mit anderen Geräten kommt, bringen Sie die Antenne an eine andere Stelle, und testen Sie sie erneut.
- 3 Wiederholen Sie die Schritte 1 und 2, bis die Antenne ordnungsgemäß funktioniert.
- 4 Bringen Sie die Antenne fest an.

Aufgesetzte Montage der Antenne

Bevor Sie die Antenne fest anbringen, testen Sie, ob sie am Montageort ordnungsgemäß funktioniert (Seite 18).

Verwenden Sie die Halterung für die aufgesetzte Montage **1** als Montageschablone.



- 1 Zeichnen Sie die Positionen der Schrauben und die Kabelöffnung in der Mitte der Halterung mit einem Bleistift vor.
- 2 Legen Sie die Halterung für die aufgesetzte Montage beiseite.
Bohren Sie nicht durch die Halterung für die aufgesetzte Montage.
- 3 Bringen Sie die drei 3,2 mm (1/8 Zoll) großen Vorbohrungen an.
HINWEIS: Wenn Sie die GPS 19x auf Glasfaser montieren, wird die Verwendung eines Senkbohrers empfohlen, um eine entsprechende Senkbohrung durch die obere Gelcoat-Schicht (jedoch nicht tiefer) anzubringen. Dadurch wird Rissen in der Gelcoat-Schicht beim Anziehen der Schrauben vorgebeugt.
- 4 Sägen Sie mit einer 25-mm-Lochsäge (1 Zoll) die Kabelöffnung in der Mitte aus.
- 5 Setzen Sie die Dichtungsunterlage **2** auf die Unterseite der Halterung für die aufgesetzte Montage. Achten Sie dabei auf die richtige Ausrichtung der Bohrlöcher.
- 6 Verwenden Sie die mitgelieferten M4-Schrauben, um die Halterung für die aufgesetzte Montage auf der Montagefläche zu befestigen.
- 7 Führen Sie das Kabel **3** durch die 25 mm (1 Zoll) große Öffnung, und verbinden Sie es mit der Antenne.
- 8 Vergewissern Sie sich, dass die große Dichtung **4** unten an der Antenne befestigt ist, setzen Sie die Antenne auf die Halterung für die aufgesetzte Montage, und drehen Sie sie im Uhrzeigersinn, bis sie sicher sitzt.
- 9 Befestigen Sie die Antenne mit der mitgelieferten M3-Feststellschraube **5** an der Halterung.
- 10 Verlegen Sie das Kabel mit ausreichendem Abstand zu elektronischen Störquellen, und schließen Sie es an die Stromversorgung sowie an ein NMEA 0183-kompatibles Gerät an (Seite 20).

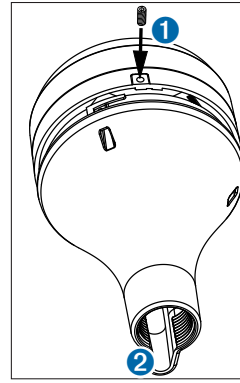
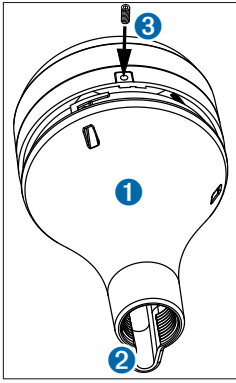
Montage der Antenne an einer Stange

Wenn Sie den Stangenmontageadapter aus dem Lieferumfang an der Antenne befestigen, können Sie die Antenne an einer Standardbootshalterung mit einem Außendurchmesser von 1 Zoll und einem Gewinde mit 14 Windungen pro Zoll (nicht im Lieferumfang enthalten) montieren. Sie können das Kabel innen oder außen verlegen.

Bevor Sie die Antenne fest anbringen, testen Sie, ob sie am Montageort ordnungsgemäß funktioniert (Seite 18).

Stangenmontage der Antenne mit außen geführtem Kabel

- 1 Verlegen Sie das Kabel durch den Stangenmontageadapter **1**, und legen Sie es in die senkrechte Nut **2** unten am Stangenmontageadapter.



- 2 Schrauben Sie den Stangenmontageadapter auf eine Standardboothalterung mit einem Außendurchmesser von 1 Zoll und einem Gewinde mit 14 Windungen pro Zoll (nicht im Lieferumfang enthalten).
Ziehen Sie den Adapter nicht zu fest an der Stange an.
- 3 Verbinden Sie das Kabel mit der Antenne.
- 4 Setzen Sie die Antenne auf den Stangenmontageadapter, und drehen Sie sie im Uhrzeigersinn, bis sie sicher sitzt.
- 5 Befestigen Sie die Antenne mit der mitgelieferten M3-Feststellschraube am Adapter ③.
- 6 Nachdem die Antenne an der Stangenhalterung befestigt wurde, füllen Sie den Spalt in der senkrechten Kabelnut mit einem seewassertauglichen Dichtungsmittel (optional).
- 7 Bringen Sie die Stange am Schiff an, falls sie noch nicht befestigt wurde.
- 8 Verlegen Sie das Kabel mit ausreichendem Abstand zu elektronischen Störquellen, und schließen Sie es an die Stromversorgung sowie an ein NMEA 0183-kompatibles Gerät an (Seite 20).

- 8 Nachdem die Antenne an der Stangenhalterung montiert ist, füllen Sie die senkrechte Kabelnut ② mit einem seewassertauglichen Dichtungsmittel (optional).
- 9 Verlegen Sie das Kabel mit ausreichendem Abstand zu elektronischen Störquellen, und schließen Sie es an die Stromversorgung sowie an ein NMEA 0183-kompatibles Gerät an (Seite 20).

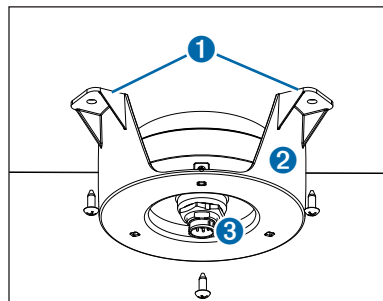
Montage der Antenne unter einer Fläche

HINWEIS

Vergewissern Sie sich vor der Anbringung der Halterung für die Montage unter Deck, dass die mitgelieferten Schrauben nicht die Oberfläche durchstoßen werden. Wenn die mitgelieferten Schrauben zu lang sind, müssen Sie für die Oberfläche geeignete Schrauben erwerben, um die Installation abzuschließen.

Da die Antenne Signale nicht durch Metall empfangen kann, darf sie nur unter einer Glasfaseroberfläche montiert werden.

- 1 Bestimmen Sie, an welcher Stelle unter der Glasfaseroberfläche die Antenne montiert werden soll, und testen Sie den Montageort (Seite 18).



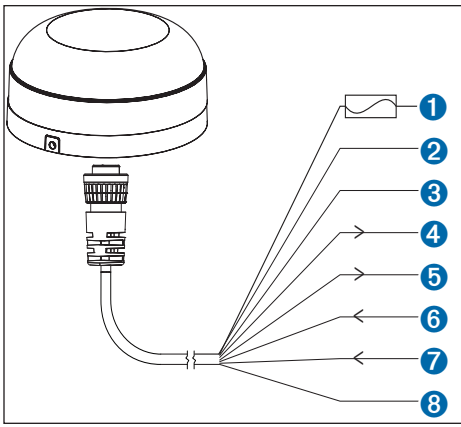
Stangenmontage der Antenne mit innen geführtem Kabel

- 1 Positionieren Sie eine Standardstange mit einem Außendurchmesser von 1 Zoll und einem Gewinde mit 14 Windungen pro Zoll (nicht im Lieferumfang enthalten) an der gewünschten Stelle, und markieren Sie die ungefähre Mitte der Stange.
- 2 Bringen Sie mit einem Bohrer (19 mm^{3/4} Zoll) eine Bohrung für das Kabel an.
- 3 Befestigen Sie die Stange am Boot.
- 4 Drehen Sie den Stangenmontageadapter auf die Stange.
Ziehen Sie den Adapter nicht zu fest an.
- 5 Verlegen Sie das Kabel durch die Stange, und verbinden Sie es mit der Antenne.
- 6 Setzen Sie die Antenne auf den Stangenmontageadapter, und drehen Sie sie im Uhrzeigersinn, bis sie sicher sitzt.
- 7 Befestigen Sie die Antenne mit der mitgelieferten M3-Feststellschraube am Adapter ①.

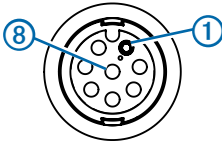
- 2 Befestigen Sie die klebenden Unterlagen ① an der Halterung für die Montage unter Deck ②.
- 3 Setzen Sie die Antenne in die Halterung für die Montage unter Deck ein.
- 4 Bringen Sie die Halterung für die Montage unter Deck an der Montagefläche an.
- 5 Befestigen Sie die Halterung für die Montage unter Deck mit Schrauben an der Montagefläche.
- 6 Verbinden Sie die Kabel mit der Antenne ③.
- 7 Verlegen Sie das Kabel mit ausreichendem Abstand zu elektronischen Störquellen, und schließen Sie es an die Stromversorgung sowie an ein NMEA 0183-kompatibles Gerät an (Seite 20).

Anschließen der Antenne an die Stromversorgung und an ein NMEA 0183-kompatibles Gerät

Die Antenne muss mit der Stromversorgung und mit einem NMEA 0183-kompatiblen Gerät verbunden werden. Nutzen Sie die Schaltpläne, um die Antenne ordnungsgemäß zu verbinden. Sie können bis zu drei NMEA 0183-kompatible Geräte verbinden, um Daten von einer Antenne zu empfangen.



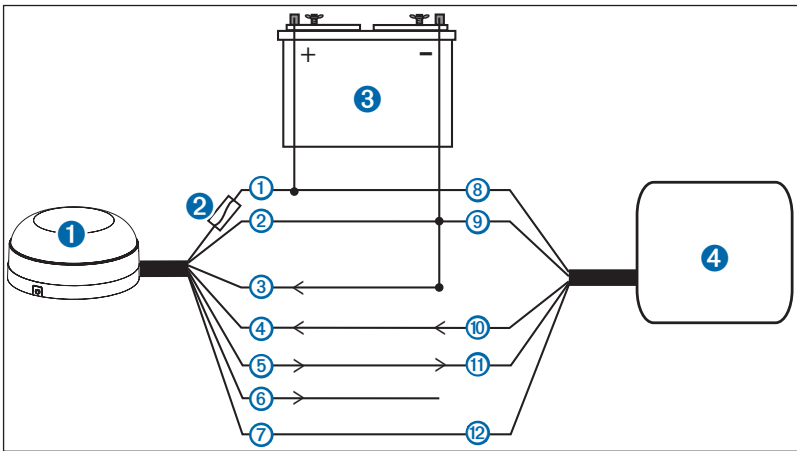
Leitung	Farbe	Funktion	Pin
1	Rot	Stromversorgung (+) (1-Ampere-Sicherung)	3
2	Schwarz	Masse (-)	2
3	Orange	Zubehör Ein	4
4	Grau	Tx A(+)	6
5	Weiß/Rot	Tx B(-)	5
6	Weiß	Rx A(+)	1
7	Weiß/Orange	Rx B(-)	7
8	Violett	Pulssignal pro Sekunde (PPS)	8



1	Pin 1
8	Pin 8

Beispiele

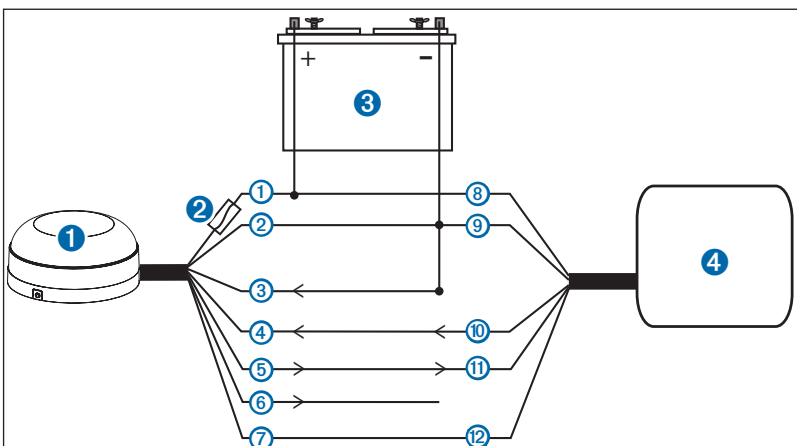
Anschließen der Antenne an einen Garmin-Kartenplotter



Element	Beschreibung
1	GPS 19x-Antenne
2	1-Ampere-Sicherung
3	Batterie (12 V Gleichspannung)
4	NMEA 0183-kompatibler Kartenplotter von Garmin

Leitung der Antenne	Farbe	Leitung des Kartenplotters	Farbe
1	Rot	8	Rot
2	Schwarz	9	Schwarz
3	Weiß/Orange (Masse)		
4	Weiß	10	Grün
5	Grau	11	Grün/Weiß
6	Weiß/Rot (nicht belegt)		
7	Orange	12	Orange

Anschließen der Antenne an ein NMEA 0183-kompatibles Gerät für die Zweiwegekommunikation



Element	Beschreibung
①	GPS 19x-Antenne
②	1-Ampere-Sicherung
③	Batterie (12 V Gleichspannung)
④	NMEA 0183-kompatibler Kartenplotter von Garmin

Leitung der Antenne	Farbe	Leitung des NMEA 0183-Geräts	Funktion
①	Rot	⑧	Stromversorgung (+)
②	Schwarz	⑨	Masse (-)
③	Orange	⑩	Zubehör Ein
④	Grau	⑪	Rx A (+)
⑤	Weiß/Rot	⑫	Rx B (-)
⑥	Weiß	⑬	Tx A (+)
⑦	Weiß/Orange	⑭	Tx B (-)

Ausnahmen für NMEA 0183-Verbindungen

⚠️ ACHTUNG

Die orangefarbene Leitung (Zubehör Ein) wird verwendet, wenn die Antenne an einen Garmin-Kartenplotter oder ein anderes NMEA 0183-Gerät mit einer entsprechenden Zubehörsignalleitung angeschlossen wird. Wenn Sie die Antenne an ein Gerät ohne Zubehörsignalleitung anschließen, sollte die orangefarbene Leitung von der Antenne an die Masse angeschlossen werden.

Wenn Sie die Antenne an ein Gerät ohne Zubehörsignalleitung (Zubehör Ein) anschließen, verbinden Sie die Stromversorgung der Antenne mit der Zündung, oder installieren Sie einen

Leitungsschalter. Wenn kein Schalter installiert ist, entlädt die Antenne die Batterie des Boots.

- Wenn das NMEA 0183-kompatible Gerät nur über eine Empfangsleitung (Rx) verfügt, verbinden Sie diese Leitung mit der grauen Leitung (Tx/A) der Antenne, und schließen Sie die weiße/rote Leitung (Tx/B) der Antenne nicht an.
- Wenn das NMEA 0183-kompatible Gerät nur über eine Sendeleitung (Tx) verfügt, verbinden Sie diese Leitung mit der weißen Leitung (Rx/A) der Antenne, und schließen Sie die weiße/orangefarbene Leitung (Rx/B) von der Antenne an die Masse an.

Einschränken der Aktualisierungsrate der Antenne

Die Antenne stellt Positionsdaten standardmäßig 10 Mal pro Sekunde bereit. Dabei wird eine Rate für die serielle Übertragung von 38.400 Bit/s verwendet. Durch die Installation des mitgelieferten Widerstandskabels kann die Bereitstellung von Positionsaktualisierungen durch die Antenne auf einmal pro Sekunde eingeschränkt werden. Dabei wird eine Rate für die serielle Übertragung von 4.800 Bit/s verwendet.

- 1 Montieren Sie die Antenne gemäß diesen Anweisungen (Seite 18).
- 2 Kürzen Sie das Kabel auf die für die Installation erforderliche Länge.
- 3 Verlöten Sie das mitgelieferte Kabel für die Ratenänderung mit der orangefarbenen Leitung für „Zubehör Ein“.
- 4 Dichten Sie die gelöteten Verbindungen mit einem Schrumpfschlauch ab.
- 5 Wenn Sie die Antenne noch nicht verbunden haben, schließen Sie die Netz- und Datenkabel an (Seite 20).

Plotter-Software

Stellen Sie die Kompatibilität mit der Antenne sicher, indem Sie den Garmin-Kartenplotter mit der aktuellen Software aktualisieren. Weitere Informationen finden Sie unter www.garmin.com/support.

Pflegeinformationen

Das Gehäuse ist aus hochwertigen Werkstoffen hergestellt und erfordert außer einer gelegentlichen Reinigung keine spezielle Wartung durch den Benutzer.

Reinigen des Gehäuses

Reinigen Sie das Gehäuse des Geräts mit einem weichen Tuch, das leicht mit einer milden Reinigungslösung befeuchtet ist, und wischen Sie es anschließend trocken.

Verwenden Sie keine chemischen Reinigungs- und Lösungsmittel, die die Kunststoffteile beschädigen könnten.

Technische Daten

Abmessungen (Durchmesser × Höhe)	91,6 mm × 49,5 mm (3 19/32 Zoll × 1 15/16 Zoll)
Gewicht	201 g (7,1 Unzen)
Kabellänge	9,14 m (30 Fuß)
Temperaturbereich	-30 °C bis 80 °C (-22 °F bis 176 °F)
Gehäusewerkstoffe	Vollständig abgedichtet, schlagfestes Kunststoff-Verbundmaterial, wasserdicht gemäß IEC 60529 IPX7
Sicherheitsabstand zum Kompass	150 mm (5,9 Zoll)
Stromversorgungsquelle	8 bis 33 V Gleichspannung, unregelt
Eingangstrom	40 mA bei 12 V Gleichspannung

Wichtige Sicherheits- und Produktinformationen

⚠️ WARNUNG

Im GPS-Gerät wird möglicherweise für verschiedene Zwecke ein interner, nicht auswechselbarer Akku genutzt, z. B. für die Echtzeituhr. Nicht auswechselbare Akkus dürfen nicht entfernt werden. Entsorgen Sie das Gerät ordnungsgemäß, beispielsweise bei einer Abfallentsorgungsstelle für Elektrogeräte. Dort wird der Akku entfernt und recycelt.

Eindringen von Wasser

Das Gerät ist gemäß IEC-Norm 60529 IPX7 wasserdicht. In einer Tiefe von einem Meter widersteht das Gerät 30 Minuten lang dem Eindringen von Wasser. Eine längere Eintauchzeit kann zu Schäden am Gerät führen. Nach dem Eintauchen muss das Gerät vor der Wiederverwendung abgewischt und an der Luft getrocknet werden.

Konformitätserklärung

Garmin erklärt hiermit, dass dieses Produkt den wesentlichen Anforderungen und weiteren relevanten Vorschriften der Direktive 1999/5/EG entspricht. Sie finden die vollständige Konformitätserklärung unter www.garmin.com/compliance.

Software-Lizenzvereinbarung

DURCH DIE VERWENDUNG DES GERÄTS STIMMEN SIE DEN BEDINGUNGEN DER FOLGENDEN SOFTWARE-LIZENZVEREINBARUNG ZU. LESEN SIE DIE LIZENZVEREINBARUNG AUFMERKSAM DURCH.

Garmin gewährt Ihnen eine beschränkte Lizenz zur Verwendung der Software auf diesem Gerät (die „Software“) im Binärformat im Rahmen des normalen Betriebs dieses Geräts. Verfügungsrechte, Eigentumsrechte und geistige Eigentumsrechte an der Software verbleiben bei Garmin.

Sie erkennen an, dass die Software Eigentum von Garmin ist und durch die Urheberrechte der Vereinigten Staaten von Amerika und internationale Abkommen zum Urheberrecht geschützt ist. Weiterhin erkennen Sie an, dass Struktur, Organisation und Code der Software wertvolle Betriebsgeheimnisse von Garmin sind, und dass der Quellcode der Software ein wertvolles Betriebsgeheimnis von Garmin bleibt. Sie verpflichten sich, die Software oder Teile davon nicht zu dekompileieren, zu disassemblieren, zu verändern, zurückzusammeln, zurückzuentwickeln, in eine allgemein lesbare Form umzuwandeln oder ein von der Software abgeleitetes Werk zu erstellen. Sie verpflichten sich, die Software nicht in ein Land zu exportieren oder zu re-exportieren, das nicht im Einklang mit den Exportkontrollgesetzen der USA steht.

Eingeschränkte Gewährleistung

Für dieses Garmin-Produkt gilt ab dem Kaufdatum eine einjährige Garantie auf Material- und Verarbeitungsfehler. Innerhalb dieses Zeitraums repariert oder ersetzt Garmin nach eigenem Ermessen alle bei ordnungsgemäßer Verwendung ausgefallenen Komponenten. Diese Reparatur- und Austauscharbeiten sind für den Kunden in Bezug auf Teile und Arbeitszeit unter der Voraussetzung kostenlos, dass der Kunde die Transportkosten übernimmt. Diese Garantie findet keine Anwendung auf: (i) kosmetische Schäden, z. B. Kratzer oder Dellen; (ii) Verschleißteile wie z. B. Batterien, sofern Produktschäden nicht auf Material- oder Verarbeitungsfehler zurückzuführen sind; (iii) durch Unfälle, Missbrauch, unsachgemäße Verwendung, Wasser, Überschwemmung, Feuer oder andere höhere Gewalt oder äußere Ursachen hervorgerufene Schäden; (iv) Schäden aufgrund einer Wartung durch nicht von Garmin autorisierte Dienstleister oder (v) Schäden an einem Produkt, das ohne die ausdrückliche Genehmigung durch Garmin modifiziert oder geändert wurde. Darüber hinaus behält Garmin sich das Recht vor, Garantieansprüche für Produkte oder Dienstleistungen abzulehnen, die durch Verstoß gegen die Gesetze eines Landes erworben und/oder verwendet werden.

Dieses Produkt ist ausschließlich als Navigationshilfe vorgesehen und darf nicht für Zwecke verwendet werden, die präzise Messungen von Richtungen, Distanzen, Positionen oder Topografien erfordern. Garmin übernimmt keine Garantie für die Genauigkeit und Vollständigkeit der Kartendaten in diesem Produkt.

DIE HIERIN AUFGEFÜHRTEN GEWÄHRLEISTUNGEN UND RECHTSMITTEL GELTEN EXKLUSIV UND SCHLIESSEN JEDLICHE AUSDRÜCKLICHEN, STILLSCHWEIGENDEN ODER GESETZLICHEN GEWÄHRLEISTUNGEN AUS, EINSCHLIESSLICH JEDLICHER GESETZLICHEN ODER ANDERWEITIGEN GEWÄHRLEISTUNG DER HANDELSTAUGLICHKEIT ODER EIGNUNG FÜR EINEN BESTIMMTEN ZWECK. DIESE GARANTIE GEWÄHRT IHNEN BESTIMMTE GESETZLICHE

RECHTE, DIE VON LAND ZU LAND VARIIEREN KÖNNEN.

IN KEINEM FALL HAFTET GARMIN FÜR ZUFÄLLIGE, SPEZIELLE, INDIRECTE SCHÄDEN ODER FOLGESCHÄDEN, EINSCHLIESSLICH, JEDOCH NICHT BESCHRÄNKT AUF, SCHÄDEN FÜR BUSSGELDER ODER VORLADUNGEN, DIE DURCH DIE SACH- ODER UNSACHGEMASSE VERWENDUNG, DIE NICHTVERWENDBARKEIT ODER DEFEKTE DES PRODUKTS ENTSTEHEN. IN EINIGEN LÄNDERN IST DER AUSSCHLUSS VON ZUFÄLLIGEN SCHÄDEN ODER FOLGESCHÄDEN NICHT GESTATTET. IN EINEM SOLCHEN FALL TREFFEN DIE VORGENANNTEN AUSSCHLÜSSE NICHT AUF SIE ZU.

Garmin behält sich das ausschließliche Recht vor, das Gerät oder die Software nach eigenem Ermessen zu reparieren oder zu ersetzen (durch ein neues oder überholtes Ersatzprodukt) oder den vollständigen Kaufpreis zu erstatten. DIESE RECHTSMITTEL SIND DIE EINZIGEN IHNEN IM FALLE EINES GARANTIEANSPRUCHS ZUR VERFÜGUNG STEHENDEN RECHTSMITTEL.

Wenden Sie sich bei Garantieansprüchen an einen Garmin-Vertragshändler vor Ort, oder wenden Sie sich telefonisch an den Support von Garmin, um Rücksendeanweisungen und eine RMA-Nummer zu erhalten. Verpacken Sie das Gerät sicher, und legen Sie eine Kopie der Originalquittung bei, die als Kaufbeleg für Garantiereparaturen erforderlich ist. Schreiben Sie die RMA-Nummer deutlich lesbar auf die Außenseite des Pakets. Senden Sie das Gerät frankiert an ein Garmin-Service-Center.

Käufe über Onlineaktionen: Über Onlineaktionen erworbene Produkte werden nicht durch die Garantie abgedeckt. Online-Auktionsbestätigungen werden für Garantieansprüche nicht akzeptiert. Hierfür ist das Original oder eine Kopie des Kaufbelegs des ursprünglichen Einzelhändlers erforderlich. Garmin ersetzt keine fehlenden Komponenten bei Paketsendungen, die über Online-Auktionen erworben wurden.

Außerhalb der USA erworbene Geräte: Für Geräte, die über Vertriebspartner außerhalb der USA erworben wurden, gilt möglicherweise abhängig vom jeweiligen Land eine separate Garantie. Sofern zutreffend wird diese Garantie von dem Vertriebspartner im jeweiligen Land angeboten, der auch den lokalen Service für das Gerät durchführt. Garantien von Vertriebspartnern gelten nur in dem für den Vertrieb vorgesehenen Gebiet. In den USA oder Kanada erworbene Geräte müssen für Kundendienstzwecke an ein Garmin-Service-Center in Großbritannien, den USA, Kanada oder Taiwan geschickt werden.

In Australien erworbene Geräte: Unsere Artikel umfassen Garantien, die gemäß australischen Verbraucherschutzgesetzen nicht ausgeschlossen werden dürfen. Sie haben bei einem erheblichen Ausfall Anspruch auf Ersatz oder Rückerstattung und bei anderem vernünftigerweise vorhersehbar Verlust oder Schaden Anspruch auf Entschädigung. Darüber hinaus haben Sie Anspruch auf eine Reparatur oder einen Ersatz der Artikel, wenn die Artikel keine angemessene Qualität aufweisen und das Versagen nicht als erheblicher Ausfall gilt. Die Leistungen gemäß unserer eingeschränkten Gewährleistung gelten zusätzlich zu anderen Rechten und Rechtsmitteln laut geltendem Recht in Bezug auf die Produkte.

Garmin Australasia
Unit 19, 167 Prospect Highway
Seven Hills, NSW, Australia, 2147
Telefon: 1800 822 235

Garmin-Gewährleistungsrichtlinie für Marineprodukte: Für einige Garmin-Marineprodukte gelten in bestimmten Gebieten ein längerer

Gewährleistungszeitraum und zusätzliche Bedingungen. Weitere Informationen sind unter www.garmin.com/support/warranty.html verfügbar. Dort können Sie auch prüfen, ob Ihr Gerät von der Garmin-Gewährleistungsrichtlinie für Marineprodukte abgedeckt ist.

- Necesario específicamente cuando la antena se limita a 1 Hz ([página 27](#))

Instrucciones de instalación de GPS 19x NMEA 0183

⚠ ADVERTENCIA

Utiliza siempre gafas de seguridad, un protector de oídos y una máscara antipolvo cuando vayas a realizar orificios, cortes o lijados.

AVISO

Al realizar orificios o cortes, comprueba siempre lo que hay al otro lado de la superficie.

La antena de alta sensibilidad GPS 19x NMEA 0183 HVS de Garmin proporciona información sobre la posición a través de NMEA 0183. La antena GPS 19x NMEA 0183 HVS puede conectarse a un plotter de Garmin o a otro dispositivo compatible con NMEA 0183.

La antena debe instalarse correctamente siguiendo estas instrucciones. Necesitarás los cierres, herramientas y soportes que se enumeran en cada sección. Estos elementos están disponibles en la mayoría de distribuidores de productos náuticos.

NOTA: Cuando esta antena se conecta a un dispositivo GPSMAP serie 2000, 3000, 4000 o 5000, debe limitar la frecuencia de actualización (consulte la [página 27](#)). Si la frecuencia de actualización no está limitada, puede que el plotter no reciba ni indique la señal GPS correctamente.

Registro del dispositivo

- Visita <http://my.garmin.com>.
- Guarda la factura original o una fotocopia en un lugar seguro.

Para futuras consultas, anota el número de serie asignado a tu antena en el espacio indicado. Encontrarás el número de serie en una etiqueta adhesiva en la parte posterior de la unidad.

Número de serie

Comunicación con el departamento de asistencia de Garmin

- Visita www.garmin.com/support y haz clic en **Contact Support** para obtener información de asistencia relativa a tu país.
- En Estados Unidos, llama al (913) 397-8200 o al (800) 800-1020.
- En el Reino Unido, llama al 0808-2380000.
- En Europa, llama al +44 (0) 870-8501241.

Herramientas necesarias

- Taladro
- Broca de 1/8 in (3,2 mm)
- Broca de 3/4 in (19 mm) para el cable de montaje en polo
- Broca de paleta de 1 in (25 mm) para el cable de montaje en superficie
- Destornillador adecuado al tipo de tornillo
- Broca avellanadora para montar sobre fibra de vidrio
- Sellador marino para algunas opciones de montaje
- Soldadora y plástico para embalaje retráctil
 - Necesario para todas las conexiones de cables

Accesorios opcionales

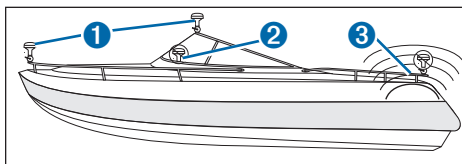
- Tornillos para el montaje bajo cubierta

Especificaciones sobre la ubicación y el tipo de montaje

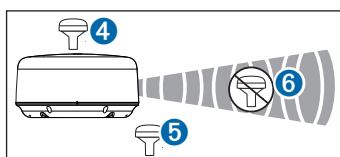
Puedes montar la antena en una superficie llana, acoplarla a un polo estándar con tubo roscado de diámetro exterior de 1 in, 14 roscas por pulgada (no incluido) o instalarla bajo fibra de vidrio.

Para un rendimiento óptimo, ten en cuenta las siguientes especificaciones al seleccionar la ubicación de montaje de la antena.

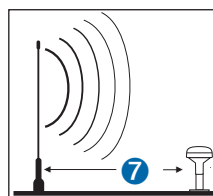
- La antena se debe montar a 5,9 in (150 mm) de cualquier brújula para evitar interferencias.
- Para garantizar la mejor recepción, hay que montar la antena en una ubicación que permita una vista clara y sin obstrucciones del cielo en todas las direcciones **1**.



- No se debe montar la antena donde haya sombras producidas por la superestructura de la embarcación **2**, una antena con cúpula de radar o un mástil.
- No se debe montar la antena cerca del motor ni de otras fuentes de interferencias electromagnéticas (EMI) **3**.
- Si hay un radar, la mejor opción es instalar la antena por encima de la trayectoria del radar **4**, aunque también es aceptable instalarla bajo el radar **5** si es necesario. No se debe instalar la antena en la trayectoria del radar **6**.



- La antena debe montarse a una distancia de al menos 3 ft (1 m) y preferiblemente por encima de la trayectoria de cualquier haz de radar o antena de radio VHF **7**.



- En una embarcación de vela, no se debe montar la antena en lo alto del mástil para evitar lecturas de velocidad inapropiadas provocadas por un exceso de escora.
- La antena proporciona lecturas más estables cuando se coloca más cerca del nivel del agua.

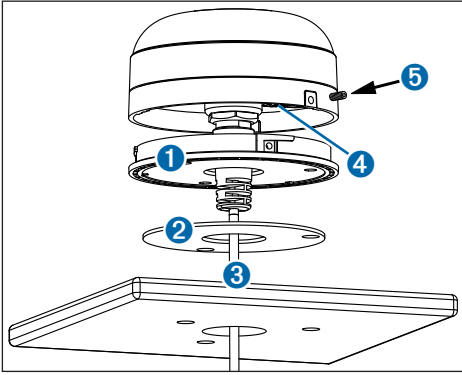
Comprobación de la ubicación de montaje

- 1** Fija la antena temporalmente en la ubicación que desees y comprueba que funciona correctamente.
- 2** Si se produce alguna interferencia con otros componentes electrónicos, mueve la antena a otra ubicación y pruébala de nuevo.
- 3** Repite los pasos 1-2 hasta que compruebes que la antena funciona correctamente.
- 4** Monta la antena de forma permanente.

Montaje en superficie de la antena

Antes de montar la antena de forma permanente, comprueba la ubicación de montaje para ver si funciona correctamente (página 24).

Utiliza el soporte de montaje en superficie ❶ como plantilla de montaje.



- 1 Marca con un lápiz las ubicaciones de los tres tornillos y traza el orificio del cable en el centro del soporte.
- 2 Pon el soporte de montaje en superficie a un lado.
No realices la perforación a través del soporte de montaje en superficie.
- 3 Perfora los tres orificios guía de $\frac{1}{8}$ in (3,2 mm).
NOTA: si montas la antena GPS 19x en fibra de vidrio, es recomendable que utilices una broca avellanadora para perforar un espacio de escariado a través de la parte superior (pero no más allá) de la capa de gelcoat. Así evitarás que se agriete la capa de gelcoat cuando se ajusten los tornillos.
- 4 Usa una broca de paleta de 1 in (25 mm) para realizar el orificio para el cable en el centro.
- 5 Coloca la almohadilla de sellado ❷ en el fondo del soporte de montaje en superficie y alinea los tornillos de montaje.
- 6 Utiliza los tornillos M4 suministrados para fijar el soporte de montaje a la superficie donde instalarás la unidad.
- 7 Pasa el cable ❸ a través del orificio para el cable de 1 in (25 mm) y conéctalo a la antena.
- 8 Asegúrate de que la junta grande ❹ está colocada en la parte inferior de la antena, coloca la antena en el soporte de montaje en superficie y gírala en el sentido de las agujas del reloj para ajustarla en su sitio.
- 9 Fija la antena al soporte de montaje con el juego de tornillos M3 suministrado ❺.
- 10 Pasa el cable lejos de fuentes de interferencias electrónicas y conéctalo a una fuente de alimentación y a un dispositivo compatible con NMEA 0183 (página 26).

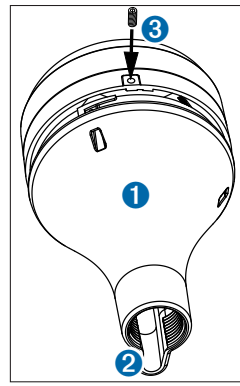
Montaje de la antena en un poste

Con el adaptador de montaje en polo acoplado a la antena, puedes instalarla en un polo estándar con tubo roscado de diámetro exterior de 1 in, 14 roscas por pulgada (no incluido). Puedes pasar el cable a través del polo o por fuera de él.

Antes de montar la antena de forma permanente, comprueba la ubicación de montaje para ver si funciona correctamente (página 24).

Montaje de la antena con el cable colocado fuera del poste

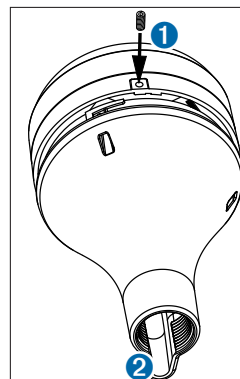
- 1 Pasa el cable a través del adaptador de montaje en polo ❶ y colócalo en la ranura vertical ❷ a lo largo de la base del adaptador de montaje en polo.



- 2 Atornilla el adaptador de montaje en polo estándar con tubo roscado de diámetro exterior de 1 in, 14 roscas por pulgada (no incluido). No aprietes el adaptador del polo en exceso.
- 3 Conecta el cable a la antena.
- 4 Coloca la antena en el adaptador de montaje en polo y gírala en el sentido de las agujas del reloj hasta que encaje en su sitio.
- 5 Fija la antena al adaptador con el juego de tornillos M3 suministrado ❸.
- 6 Tras instalar la antena en el soporte de montaje en poste, rellena el espacio sobrante en la ranura de cable vertical con sellador marino (opcional).
- 7 Acopla el soporte al casco si no está ya acoplado.
- 8 Pasa el cable lejos de fuentes de interferencias electrónicas y conéctalo a una fuente de alimentación y a un dispositivo compatible con NMEA 0183 (página 26).

Montaje de la antena con el cable colocado a través del poste

- 1 Coloca un soporte en polo estándar con tubo roscado de diámetro exterior de 1 in, 14 roscas por pulgada (no incluido) en la ubicación deseada y marca el centro aproximado del polo.
- 2 Perfora un orificio con una broca de $\frac{3}{4}$ in (19 mm) para pasar el cable.
- 3 Fija el polo al casco.
- 4 Enrosca el adaptador de montaje en polo en el polo.
No aprietes el adaptador en exceso.
- 5 Pasa el cable a través del polo y conéctalo a la antena.
- 6 Coloca la antena en el adaptador de montaje en polo y gírala en el sentido de las agujas del reloj hasta que encaje en su sitio.
- 7 Fija la antena al adaptador con el juego de tornillos M3 suministrado ❶.



- 8 Tras instalar la antena en el soporte de montaje en poste, rellena la ranura del cable vertical ❷ con sellador marino (opcional).
- 9 Pasa el cable lejos de fuentes de interferencias electrónicas y conéctalo a una fuente de

alimentación y a un dispositivo compatible con NMEA 0183 (página 26).

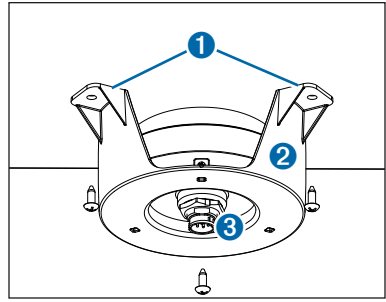
Montaje de la antena bajo una superficie

AVISO

Antes de fijar el soporte de montaje bajo cubierta a la superficie, asegúrate de que los tornillos suministrados no penetran en la superficie. Si los tornillos suministrados son demasiado largos, debes comprar tornillos adecuados a la superficie para realizar la instalación.

Debido a que la antena no puede adquirir señales a través del metal, solo debe montarse bajo una superficie de fibra de vidrio.

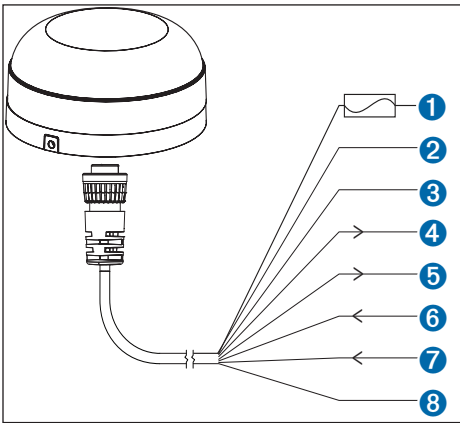
1 Escoge y comprueba la ubicación bajo la fibra de vidrio en la que deseas montar la antena (página 24).



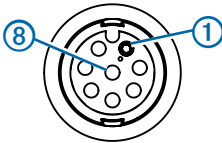
- 2 Coloca las almohadillas adhesivas 1 en el soporte de montaje bajo cubierta 2.
- 3 Coloca la antena en el soporte de montaje bajo cubierta.
- 4 Adhiere el soporte de montaje bajo cubierta a la superficie de montaje.
- 5 Atornilla el soporte de montaje bajo cubierta a la superficie de montaje.
- 6 Conecta el cable a la antena 3.
- 7 Pasa el cable lejos de fuentes de interferencias electrónicas y conéctalo a una fuente de alimentación y a un dispositivo compatible con NMEA 0183 (página 26).

Conexión de la antena a la alimentación y al dispositivo compatible con NMEA 0183

La antena debe conectarse a la alimentación y a un dispositivo compatible con NMEA 0183. Utiliza los diagramas para conectar correctamente la antena. Puedes conectar hasta tres dispositivos compatibles con NMEA 0183 para recibir datos de una antena.



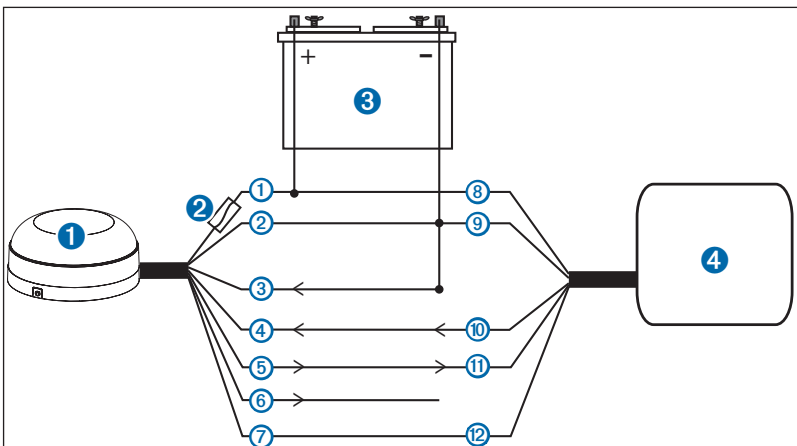
Cable	Color	Función	Patilla
1	Rojo	Alimentación (+) (Fusible de 1 A)	3
2	Negro	Tierra (-)	2
3	Naranja	Accesorio activado	4
4	Gris	Tx A(+)	6
5	Blanco/Rojo	Tx B(-)	5
6	Blanco	Rx A(+)	1
7	Blanco/Naranja	Rx B(-)	7
8	Morado	Pulsaciones por segundo (PPS)	8



1	Patilla 1
8	Patilla 8

Ejemplos

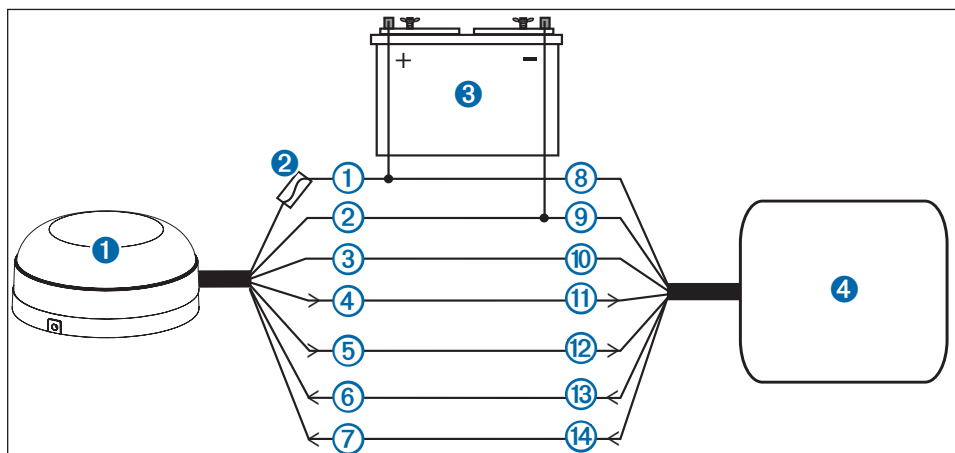
Conexión de la antena a un plotter de Garmin



Elemento	Descripción
1	Antena GPS 19x
2	Fusible de 1 A
3	Batería de 12 V de CC
4	Plotter de Garmin compatible con NMEA 0183

Cable de la antena	Color	Cable del plotter	Color
1	Rojo	8	Rojo
2	Negro	9	Negro
3	Blanco/Naranja (tierra)		
4	Blanco	10	Verde
5	Gris	11	Verde/Blanco
6	Blanco/Rojo (desconectado)		
7	Naranja	12	Naranja

Conexión de la antena a un dispositivo compatible con NMEA 0183 para las comunicaciones bidireccionales



Elemento	Descripción
1	Antena GPS 19x
2	Fusible de 1 A
3	Batería de 12 V de CC
4	Plotter de Garmin compatible con NMEA 0183

Cable de la antena	Color	Cable del dispositivo NMEA 0183	Función
1	Rojo	8	Alimentación (+)
2	Negro	9	Tierra (-)
3	Naranja	10	Accesorio activado
4	Gris	11	Rx A (+)
5	Blanco/Rojo	12	Rx B (-)
6	Blanco	13	Tx A (+)
7	Blanco/Naranja	14	Tx B (-)

Excepciones en la conexión de NMEA 0183

⚠ ADVERTENCIA

El cable naranja (accesorio activado) se utiliza para conectar la antena a un plotter de Garmin o a otro dispositivo compatible con NMEA 0183 que tenga un cable de señal accesorio definido. Si conectas la antena a un dispositivo que no tenga un cable de señal accesorio, el cable naranja de la antena deberá conectarse a tierra.

Si conectas la antena a un dispositivo que no tenga cable de señal accesorio (accesorio activado), conecta el cable de alimentación de la antena al encendido o instala un interruptor en línea. Si no utilizas un interruptor, la antena puede agotar la batería de la embarcación.

- Si tu dispositivo compatible con NMEA 0183 sólo tiene un cable receptor (Rx), conéctalo al cable gris (Tx/A) de la antena y deja el cable blanco/rojo (Tx/B) de la antena sin conectar.
- Si tu dispositivo compatible con NMEA 0183 sólo tiene un cable transmisor (Tx), conéctalo al cable blanco (Rx/A) de la antena, y conecta el cable blanco/naranja (Rx/B) de la antena a tierra.

Limitación de la frecuencia de actualización de la antena

De manera predeterminada, la antena produce actualizaciones de datos de posición 10 veces por segundo a través de una velocidad de comunicaciones en serie de 38400 bps. Al instalar el cable de resistencia, la antena puede limitarse para que produzca actualizaciones de posición una vez por segundo a través de una velocidad de comunicaciones de 4800 bps.

- 1 Monta la antena siguiendo estas instrucciones (página 24).
- 2 Si es necesario, corta el cable para que tenga la longitud apropiada para la instalación.
- 3 Suelta el cable de cambio de velocidad en línea incluido con el hilo naranja del accesorio activado.
- 4 Utiliza el tubo de aislamiento alrededor de las conexiones soldadas.
- 5 Si aún no has conectado la antena, conecta los cables de alimentación y datos (página 24).

Software del plotter

Para garantizar la compatibilidad con la antena, actualiza tu plotter de Garmin con la versión más

reciente del software. Para obtener más información, visita www.garmin.com/support.

Información acerca del mantenimiento

La carcasa está fabricada con materiales de gran calidad y el único mantenimiento que requiere por parte del usuario es su limpieza.

Limpieza de la carcasa

Limpia la carcasa externa del dispositivo con un paño humedecido con un detergente suave y, a continuación, sécala.

No utilices disolventes ni productos químicos que puedan dañar los componentes plásticos.

Especificaciones

Dimensiones (Diámetro × Altura)	3 19/32 in × 1 15/16 in (91,6 mm × 49,5 mm)
Peso	7,1 oz (201 g)
Longitud del cable	30 ft (9,14 m)
Rango de temperaturas	-22° a 176 °F (-30° a 80 °C)
Material de la carcasa	Aleación de plástico totalmente sellada y de alta resistencia a los impactos, resistente al agua conforme a las normas IEC 60529 IPX7
Distancia de seguridad de la brújula	5,9 in (150 mm)
Fuente de alimentación	8–33 V de CC, irregular
Toma de corriente	40 mA a 12 V de CC

Información importante sobre el producto y tu seguridad

AVISO

Puede que la unidad GPS utilice una batería interna no sustituible por el usuario con varios fines, tales como el reloj.

No retires ni intentes retirar la batería no sustituible por el usuario.

Cuando decidas desechar la unidad, dirígete a un servicio profesional como, por ejemplo, una planta de tratamiento de residuos electrónicos, para que retiren y reciclen la batería.

Inmersión en agua

El dispositivo es resistente al agua conforme a la norma IEC 60529 IPX7. Puede resistir la inmersión a una profundidad de 1 metro bajo el agua durante 30 minutos. La inmersión prolongada puede ocasionar daños en la unidad. Tras la inmersión, asegúrate de limpiar y secar la unidad antes de volver a utilizarla.

Declaración de conformidad

Por la presente, Garmin declara que este producto cumple con los requisitos esenciales y otras disposiciones relevantes de la Directiva 1999/5/EC. Para ver la Declaración de conformidad completa, visita www.garmin.com/compliance.

Acuerdo de licencia del software

AL UTILIZAR EL DISPOSITIVO, EL USUARIO SE COMPROMETE A RESPETAR LOS TÉRMINOS Y CONDICIONES DEL SIGUIENTE ACUERDO DE LICENCIA DEL SOFTWARE. LEE ESTE ACUERDO ATENTAMENTE.

Garmin concede al usuario una licencia limitada para utilizar el software incluido en este dispositivo (el "Software") en formato binario ejecutable durante el uso normal del producto. La titularidad, los derechos de propiedad y los derechos de propiedad intelectual del Software seguirán perteneciendo a Garmin.

El usuario reconoce que el Software es propiedad de Garmin y que está protegido por las leyes de

propiedad intelectual de los Estados Unidos y tratados internacionales de copyright. También reconoce que la estructura, la organización y el código del Software son secretos comerciales valiosos de Garmin y que el Software en su formato de código fuente es un secreto comercial valioso de Garmin. Por la presente, el usuario se compromete a no descompilar, desmontar, modificar, invertir el montaje, utilizar técnicas de ingeniería inversa o reducir a un formato legible para las personas el Software o cualquier parte de éste ni crear cualquier producto derivado a partir del Software. Asimismo, el usuario se compromete a no exportar ni reexportar el Software a ningún país que contravenga las leyes estadounidenses de control de las exportaciones.

Garantía limitada

Este producto de Garmin está garantizado frente a defectos de materiales o mano de obra durante un año a partir de la fecha de compra. En este período Garmin puede, por decisión propia, reparar o sustituir cualesquiera componentes que no funcionen correctamente. Estas reparaciones o sustituciones se realizarán sin coste alguno para el cliente en concepto de piezas o mano de obra, siempre y cuando el cliente se haga responsable de los gastos de envío. Esta garantía no se aplica a: (i) los daños estéticos, tales como arañazos, marcas o abolladuras; (ii) las piezas consumibles, tales como las baterías, a no ser que el daño se haya producido por un defecto de los materiales o de la mano de obra; (iii) los daños provocados por accidentes, uso inadecuado, el agua, inundaciones, fuego, otras causas de fuerza mayor o causas externas; (iv) daños provocados por reparaciones realizadas por un proveedor de servicio no autorizado por Garmin; o (v) los daños ocurridos en productos que hayan sido modificados o alterados sin la autorización por escrito de Garmin. Además, Garmin se reserva el derecho a rechazar reclamaciones de garantía de productos o servicios obtenidos y/o utilizados en contra de las leyes de cualquier país.

Este producto se ha diseñado solamente para proporcionar ayuda durante el viaje y no deberá utilizarse con ningún propósito que requiera el cálculo preciso de una dirección, distancia, ubicación o topografía. Garmin no garantiza la precisión ni la integridad de los datos de mapas de este producto.

LAS GARANTÍAS Y RECURSOS AQUÍ EXPRESADOS SON EXCLUSIVOS Y SUSTITUYEN A CUALESQUIERA OTRAS GARANTÍAS, YA SEAN EXPRESAS, IMPLÍCITAS O REGLAMENTARIAS, INCLUIDAS LAS RESPONSABILIDADES ORIGINADAS POR CUALQUIER GARANTÍA DE COMERCIABILIDAD O IDONEIDAD PARA UN FIN DETERMINADO, YA SEAN REGLAMENTARIAS O DE OTRO TIPO. ESTA GARANTÍA PROPORCIONA DERECHOS LEGALES ESPECÍFICOS QUE PUEDEN VARIAR DE ESTADO A ESTADO.

BAJO NINGÚN CONCEPTO GARMIN SE HARÁ RESPONSABLE POR DAÑOS IMPREVISTOS, ESPECIALES, INDIRECTOS O EMERGENTES (INCLUIDOS, SIN LIMITACIÓN, LOS DAÑOS DEBIDOS A CITACIONES O MULTAS DE TRÁFICO), TANTO SI SON RESULTADO DE LA UTILIZACIÓN, LA MALA UTILIZACIÓN O EL DESCONOCIMIENTO DEL MANEJO DEL PRODUCTO COMO SI LO SON POR DEFECTOS EN ÉSTE. EN ALGUNOS ESTADOS NO SE PERMITE LA EXCLUSIÓN DE DAÑOS IMPREVISTOS O EMERGENTES. EN ESE CASO, LAS LIMITACIONES ANTES MENCIONADAS PODRÍAN SER NO APLICABLES EN EL CASO DEL USUARIO.

Garmin se reserva, a su entera discreción, el derecho exclusivo de reparación o sustitución (por un producto nuevo o recién reparado) del dispositivo o del software del mismo, así como el reembolso

completo del precio de compra. ESTE RECURSO SERÁ ÚNICO Y EXCLUSIVO EN CASO DE INCUMPLIMIENTO DE LA GARANTÍA.

Para obtener los servicios de garantía, ponte en contacto con el distribuidor local autorizado de Garmin o llama al departamento de asistencia de Garmin para obtener instrucciones para el envío y un número de seguimiento RMA. Embala de forma segura el dispositivo e incluye una copia de la factura original (es necesaria como comprobante de compra para las reparaciones bajo garantía). Escribe claramente el número de seguimiento en el exterior del paquete. Envía el dispositivo con los gastos de envío prepagados a cualquier estación de servicio de garantía de Garmin.

Compras en subastas en línea: Los productos adquiridos en subastas en línea no reúnen los requisitos para obtener cobertura de la garantía. No se aceptan las confirmaciones de subasta en línea como comprobante de garantía. Para obtener un servicio de garantía, se necesita el original o una copia de la factura original del establecimiento de compra. Garmin no sustituirá componentes que falten de cualquier caja que se compre a través de una subasta en línea.

Ventas internacionales: según el país, los distribuidores internacionales pueden ofrecer una garantía por separado para los dispositivos adquiridos fuera de Estados Unidos. Si corresponde, los distribuidores locales de cada país ofrecen esta garantía y son estos distribuidores los que proporcionan un servicio local para el dispositivo. Las garantías del distribuidor son válidas solamente en la zona de distribución proyectada. Los dispositivos comprados en Estados Unidos o Canadá deben devolverse al centro de reparaciones autorizado por Garmin en el Reino Unido, Estados Unidos, Canadá o Taiwán para su reparación.

Compras desde Australia: las garantías de nuestros productos no quedan excluidas de las leyes de consumo australianas. Tienes derecho a la sustitución del dispositivo o al reembolso del precio por un fallo crítico y la compensación por cualquier daño o pérdida que hubiera sido posible prevenirlos. Asimismo, tienes derecho a la reparación o sustitución de los dispositivos que no tengan la calidad adecuada y el fallo no llegue a ser un fallo crítico. Las ventajas de la garantía limitada son los demás derechos y recursos correspondientes a la jurisdicción aplicable del usuario en relación con los productos.

Garmin Australasia
Unit 19, 167 Prospect Highway
Seven Hills, NSW, Australia, 2147
Teléfono: 1800 822 235

Política de garantía náutica de Garmin: determinados productos náuticos de Garmin en áreas concretas tienen un periodo de garantía mayor y unos términos y condiciones adicionales. Visita www.garmin.com/support/warranty.html para obtener más información y ver si tu producto está cubierto por la Política de garantía náutica de Garmin.

Instruções de instalação da GPS 19x NMEA 0183

⚠ ATENÇÃO

Utilize sempre óculos de protecção, protecção nos ouvidos e uma máscara de pó quando perfurar, cortar ou lixar.

NOTA

Quando perfurar ou cortar, verifique sempre o que se encontra do lado oposto da superfície.

A antena GPS de alta sensibilidade Garmin GPS 19x NMEA 0183 HVS fornece informações de posição através do NMEA 0183. A GPS 19x NMEA 0183

HVS pode ser ligada a um plotter cartográfico Garmin ou a outro dispositivo compatível com o NMEA 0183.

A antena deverá ser devidamente instalada de acordo com estas instruções. Vai necessitar dos parafusos, das ferramentas e dos acessórios de montagem adequados, indicados em cada secção. Pode encontrar estes artigos na maior parte das lojas de equipamento náutico.

NOTA: Ao ligar esta antena a um dispositivo das séries GPSPMAP 2000, 3000, 4000 ou 5000, deve limitar a taxa de actualização (ver [página 33](#)). Se não limitar a taxa de actualização, o plotter cartográfico poderá não receber nem apresentar correctamente o sinal de GPS.

Registrar o dispositivo

- Aceda a <http://my.garmin.com>.
- Guarde o recibo de compra original ou uma fotocópia num local seguro.

Para futura referência, anote o número de série atribuído à sua antena no espaço fornecido para esse efeito. O número de série encontra-se num autocolante na parte de trás da antena.

Número de série

Contactar a Assistência ao Produto Garmin

- Aceda a www.garmin.com/support e clique em **Contact Support** para obter assistência no seu país.
- Nos E.U.A., ligue para o (913) 397 8200 ou (800) 800 1020.
- No Reino Unido, ligue para o 0808 2380000.
- Na Europa, ligue para o +44 (0) 870 8501241.

Ferramentas necessárias

- Berbequim
- Broca de 3,2 mm (1/8 pol.)
- Broca de 19 mm (3/4 pol.) para orifício do cabo no poste
- Serra craniana de 25 mm (1 pol.) para orifício do cabo em superfície
- Chave adequada ao tipo de parafusos
- Broca de escarear para montagem em fibra de vidro
- Selante marítimo para determinadas opções de montagem
- Fio de solda e plástico protector
 - Necessários para todas as ligações de cablagem
 - São especificamente necessários quando se limita a antena a 1 Hz ([página 33](#))

Acessórios opcionais

- Parafusos para montagem sob o convés

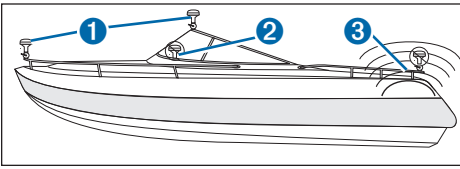
Considerações sobre o tipo e localização da montagem

Pode montar a antena numa superfície plana, fixá-la num poste rosçado de tubo comum de 1 pol. de diâmetro externo, com 14 voltas de rosca por polegada (não incluído), ou instalá-la sob fibra de vidro.

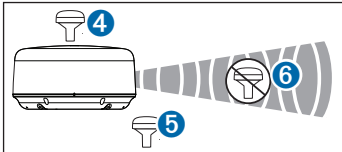
Para obter o melhor desempenho, tenha em conta as linhas de orientação que se seguem ao escolher o local de montagem da antena.

- A antena deve estar montada a 150 mm (5,9 pol.) de qualquer bússola, para evitar interferências.
- Para garantir a melhor recepção de sinal possível, a antena deverá estar num local com

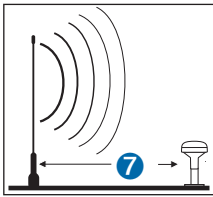
vista clara e desobstruída do céu, em todas as direcções ❶.



- A antena não deve ser montada num local coberto pela superestrutura da embarcação ❷, por uma antena radome ou por um mastro.
- A antena não deve ser montada junto ao motor ou quaisquer outras fontes de interferência electromagnética (EMI) ❸.
- Se existir um radar, a antena deve ser instalada acima do alcance do feixe do radar ❹, ainda que seja aceitável instalá-la abaixo do alcance do feixe do radar ❺, se necessário. A antena não deve ser instalada directamente no alcance do feixe do radar ❻.



- A antena deve ser montada a, pelo menos, 1 m (3 pés) (e preferivelmente acima) do alcance do feixe do radar ou de uma antena de rádio VHF ❷.



- Num veleiro, para evitar leituras de velocidade erradas devido a inclinação excessiva, a antena não deve ser montada numa posição demasiado alta no mastro.
- A antena garante leituras mais estáveis se colocada numa posição mais próxima do nível da água.

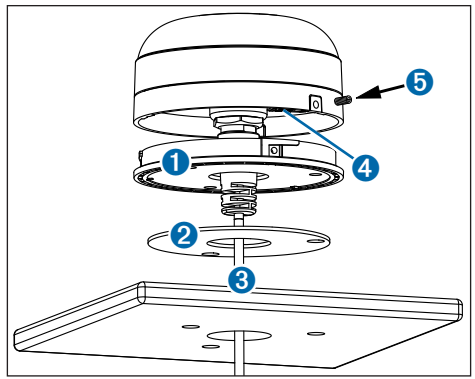
Testar o local de montagem

- 1 Fixe temporariamente a antena no local de montagem preferencial e teste se funciona correctamente.
- 2 Se se verificar interferência com outros dispositivos electrónicos, mude a antena para outra localização e teste novamente.
- 3 Repita os passos 1–2 até verificar que a antena funciona correctamente.
- 4 Monte permanentemente a antena.

Montar a antena numa superfície

Antes de montar a antena de forma permanente, teste a posição de montagem verificando o seu bom funcionamento (página 29).

Utilize o suporte de montagem à superfície ❶ como um modelo de montagem.



- 1 Com um lápis, marque as três localizações para os parafusos e trace o orifício para o cabo no centro do suporte.
- 2 Coloque de parte o suporte de montagem à superfície.
Não perfure através do suporte de montagem à superfície.
- 3 Perfure os três orifícios guia de 3,2 mm (1/8 pol.).
NOTA: caso monte a GPS 19x em fibra de vidro, recomenda-se a utilização de uma broca de escarear para fazer uma cavidade de aplainação na camada de revestimento (não mais profundo do que isso). Tal irá ajudar a evitar fendas na camada de revestimento ao apertar os parafusos.
- 4 Utilize uma serra craniana de 25 mm (1 pol.) para cortar o orifício do cabo no centro.
- 5 Coloque a junta vedante ❷ na parte inferior do suporte de montagem à superfície, alinhando os orifícios dos parafusos.
- 6 Utilize os parafusos M4 incluídos para fixar o suporte de montagem à superfície à respectiva superfície.
- 7 Encaminhe o cabo ❸ através do orifício do cabo de 25 mm (1 pol.) e ligue-o à antena.
- 8 Verifique se a junta vedante grande ❹ está no devido lugar, na parte inferior da antena, coloque a antena sobre o suporte de montagem à superfície e rode-a para a direita para a bloquear na devida posição.
- 9 Fixe a antena ao suporte de montagem com o parafuso de pressão M3 incluído ❺.
- 10 Encaminhe o cabo afastado de fontes de interferência electrónica e ligue-o à alimentação e a um dispositivo compatível com o protocolo NMEA 0183 (página 33).

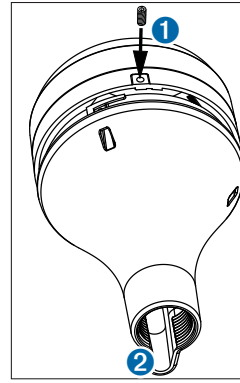
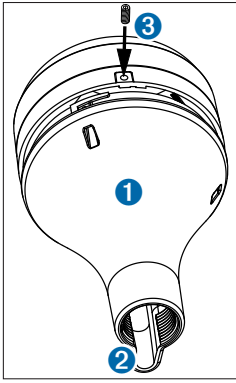
Montagem da antena num poste

Com o adaptador de montagem em postes fixo à antena, pode instalá-la num poste roscado de tubo comum de 1 pol. de diâmetro, com 14 voltas de rosca por polegada (não incluído). Pode encaminhar o cabo através do poste ou fora do poste.

Antes de montar a antena de forma permanente, teste a posição de montagem verificando o seu bom funcionamento (página 29).

Montagem da antena com o cabo encaminhado no exterior do poste

- 1 Encaminhe o cabo através do adaptador de montagem em postes ❶, e coloque o cabo na ranhura vertical ❷ na base do adaptador de montagem em postes.



- 2 Aparafuse o adaptador de montagem num poste roscado de tubo comum de 1 pol. de diâmetro, com 14 voltas de rosca por polegada (não incluído).
Não aperte o adaptador demasiado no poste.
- 3 Ligue o cabo à antena.
- 4 Coloque a antena sobre o suporte de montagem e rode-a para a direita para a bloquear na devida posição.
- 5 Fixe a antena ao adaptador com o parafuso de pressão M3 incluído ③.
- 6 Após a antena ter sido instalada no suporte de montagem, preencha o restante espaço da ranhura para cabos vertical com um selante marítimo (opcional).
- 7 Fixe o poste ao barco, caso ainda não esteja colocado.
- 8 Encaminhe o cabo afastado de fontes de interferência electrónica e ligue-o à alimentação e a um dispositivo compatível com o NMEA 0183 (página 33).

- 8 Após a antena estar instalada no suporte, preencha a ranhura para cabos vertical ② com um selante marítimo (opcional).
- 9 Encaminhe o cabo afastado de fontes de interferência electrónica e ligue-o à alimentação e a um dispositivo compatível com o NMEA 0183 (página 33).

Montagem da antena sob uma superfície

NOTA

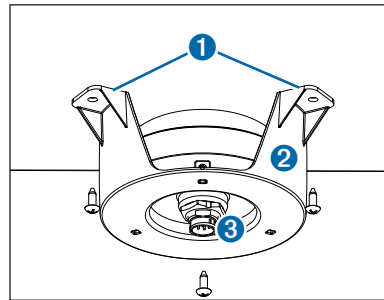
Antes de fixar o suporte de montagem sob o convés na superfície, verifique se os parafusos fornecidos não penetram a superfície. Se os parafusos fornecidos forem demasiado longos, deve adquirir parafusos adequados à superfície antes de proceder à montagem.

Uma vez que a antena não adquire sinais através de metal, apenas pode ser montada sob superfícies de fibra de vidro.

- 1 Determine e teste o local sob a superfície de fibra de vidro onde pretende montar a antena (página 29).

Montagem da antena com o cabo encaminhado através do poste

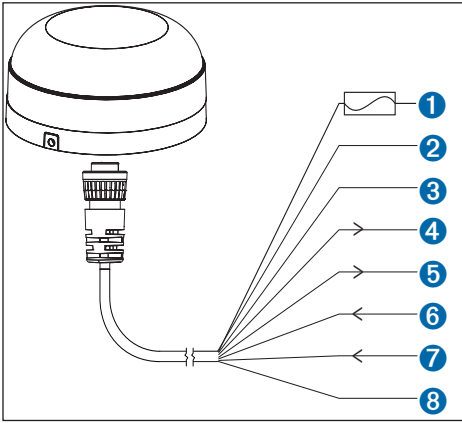
- 1 Posicione um poste roscado de tubo comum de 1 pol. de diâmetro externo, com 14 voltas de rosca por polegada (não incluído) na posição seleccionada e marque o centro aproximado do poste.
- 2 Faça um orifício com uma broca de 19 mm (3/4 pol.) por onde possa passar o cabo.
- 3 Fixe o poste à embarcação.
- 4 Enrosque o adaptador de montagem no poste. Não aperte o adaptador demasiado.
- 5 Encaminhe o cabo através do poste e ligue-o à antena.
- 6 Coloque a antena sobre o suporte de montagem e rode-a para a direita para a bloquear na devida posição.
- 7 Fixe a antena ao adaptador com o parafuso de pressão M3 incluído ①.



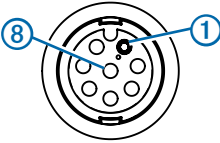
- 2 Colocar os adesivos ① no suporte de montagem sob o convés ②.
- 3 Colocar a antena no suporte de montagem sob o convés.
- 4 Cole o suporte de montagem sob o convés à superfície de montagem.
- 5 Fixe o suporte de montagem sob o convés à superfície de montagem com parafusos.
- 6 Ligue o cabo à antena ③.
- 7 Encaminhe o cabo afastado de fontes de interferência electrónica e ligue-o à alimentação e a um dispositivo compatível com o NMEA 0183 (página 33).

Ligar a antena à alimentação e a um dispositivo compatível com o NMEA 0183

A antena tem de estar ligada à alimentação e a um dispositivo compatível com o NMEA 0183. Consulte os diagramas para efectuar a ligação da antena correctamente. Pode ligar até três dispositivos compatíveis com o protocolo NMEA 0183 para receberem dados de uma antena.



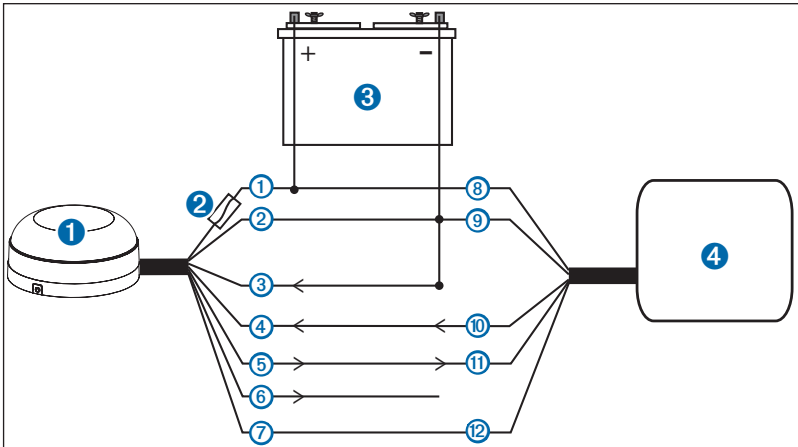
Fio	Cor	Função	Pino
1	Vermelho	Alimentação (+) (fusível de 1 A)	3
2	Preto	Massa (-)	2
3	Laranja	Acessório ligado	4
4	Cinza	Tx/A(+)	6
5	Branco/ Vermelho	Tx/B(-)	5
6	Branco	Rx A(+)	1
7	Branco/Laranja	Rx B(-)	7
8	Roxo	Pulso por segundo (PPS)	8



1	Pino 1
8	Pino 8

Exemplos

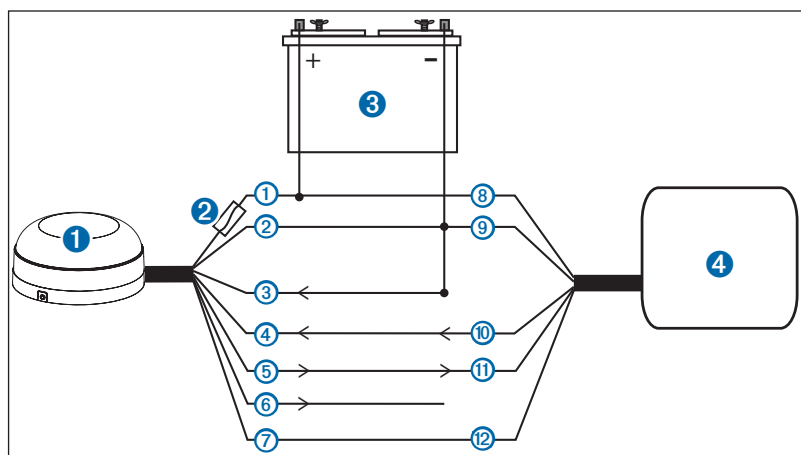
Ligar a antena a um plotter cartográfico Garmin



Item	Descrição
1	Antena GPS 19x
2	Fusível de 1 A
3	Bateria 12 Vcc
4	Plotter cartográfico compatível com Garmin NMEA 0183

Cabo da antena	Cor	Cabo do plotter cartográfico	Cor
1	Vermelho	8	Vermelho
2	Preto	9	Preto
3	Branco/Laranja (massa)		
4	Branco	10	Verde
5	Com fumo	11	Verde/ Branco
6	Branco/ Vermelho (não ligado)		
7	Laranja	12	Laranja

Ligar a antena a um dispositivo compatível com o protocolo NMEA 0183 para comunicações bidireccionais



Item	Descrição
1	Antena GPS 19x
2	Fusível de 1 A
3	Bateria 12 Vcc
4	Plotter cartográfico compatível com Garmin NMEA 0183

Cabo da antena	Cor	Cabo de dispositivo NMEA 0183	Função
1	Vermelho	8	Alimentação (+)
2	Preto	9	Massa (-)
3	Laranja	10	Acessório ligado
4	Cinza	11	Rx A (+)
5	Branco/ Vermelho	12	Rx B (-)
6	Branco	13	Tx/A (+)
7	Branco/ Laranja	14	Tx/B (-)

Exceções de ligação ao NMEA 0183

⚠ ATENÇÃO

O fio cor-de-laranja (acessório ligado) é utilizado quando se liga a antena a um plotter cartográfico Garmin, ou a outro dispositivo NMEA 0183 que possui um fio de sinal de acessório definido. Se ligar a antena a um dispositivo que não tem um fio de sinal de acessório, o fio cor-de-laranja da antena deverá ser ligado à massa.

Se ligar a antena a um dispositivo que não tem um fio de sinal de acessório (acessório ligado), ligue o fio de alimentação da antena à ignição ou instale um interruptor de linha. A antena irá consumir a bateria se não tiver um interruptor.

- Se o seu dispositivo compatível com o NMEA 0183 tiver apenas um fio de recepção (Rx), ligue-o ao fio cinzento (Tx/A) da antena e deixe o fio branco/vermelho (Tx/B) da antena desligado.
- Se o seu dispositivo compatível com o NMEA 0183 tiver apenas um fio de transmissão (Tx), ligue-o ao fio branco (Rx/A) da antena e ligue o fio branco/cor-de-laranja (Rx/B) da antena à massa.

Limitar a taxa de actualização da antena

Por predefinição, a antena emite actualizações de dados de posição dez vezes por segundo, utilizando uma taxa de comunicação de série de 38 400 bps. Se instalar o cabo de resistência incluído, a antena pode ser limitada para emitir actualizações de posição apenas uma vez por segundo, com uma taxa de comunicação de série de 4800 bps.

- Monte a antena de acordo com estas instruções (página 29).
- Se for necessário, corte o cabo ao comprimento adequado para a instalação.

- Solde o cabo de alteração de taxa incluído em linha com o cabo cor-de-laranja de acessório ligado.
- Utilize um tubo termorretráctil à volta das ligações soldadas.
- Se ainda não ligou a antena, ligue os cabos de alimentação e de dados (página 33).

Software do plotter cartográfico

Para garantir compatibilidade com a antena, actualize o seu plotter cartográfico Garmin com o software mais recente. Para mais informações, visite www.garmin.com/support.

Informações sobre cuidados a ter

A unidade é fabricada com materiais de elevada qualidade, não exigindo quaisquer cuidados de manutenção do utilizador, à excepção da limpeza.

Limpeza do revestimento

Limpe o exterior do dispositivo com um pano humedecido numa solução de detergente de fraca intensidade; em seguida, seque a superfície.

Evite produtos de limpeza químicos e solventes que possam danificar os componentes em plástico.

Especificações

Dimensões (Diâmetro × Altura)	91,6 mm × 49,5 mm (3 19/32 pol. × 1 15/16 pol.)
Peso	201 g (7,1 oz)
Comprimento do cabo	9,14 m (30 ft.)
Intervalo de temperaturas	-30° a 80 °C (-22° a 176 °F)
Material da mala	Totalmente estanque, liga de plástico de alto impacto, à prova de água de acordo com as normas IEC 60529 IPX7

Distância de segurança em relação à bússola	150 mm (5,9 pol.)
Fonte de alimentação de entrada	8–33 Vcc, não regulada
Corrente de entrada	40 mA a 12 Vdc

Informações importantes de segurança e do produto

AVISO

A unidade GPS pode utilizar para vários fins uma bateria interna e não substituível pelo utilizador, nomeadamente como relógio de tempo real. Não retire nem tente retirar a bateria não substituível pelo utilizador. Ao eliminar a unidade, leve-a a um serviço profissional, como por exemplo, uma unidade de tratamento de equipamentos electrónicos em fim de vida para que a bateria seja removida e reciclada.

Imersão em água

O dispositivo é à prova de água, em conformidade com a norma IEC 60529 IPX7. Suporta a imersão em 1 metro de água durante 30 minutos. Uma submersão prolongada pode causar danos na unidade. Depois da submersão, assegure-se de que limpa e seca a unidade ao ar livre antes de voltar a utilizá-la.

Declaração de Conformidade

Por este meio, a Garmin declara que esta unidade cumpre os requisitos fundamentais e restantes provisões aplicáveis constantes da Directiva 1999/5/CE. Para ver a Declaração de Conformidade completa, visite www.garmin.com/compliance.

Acordo de Licenciamento do Software

AO UTILIZAR O DISPOSITIVO, COMPROMETE-SE A CUMPRIR OS TERMOS E CONDIÇÕES DO ACORDO DE LICENCIAMENTO DE SOFTWARE EM BAIXO. LEIA ATENTAMENTE ESTE ACORDO.

A Garmin concede uma licença limitada para utilizar o software incorporado neste dispositivo (o “Software”) no formato executável binário no funcionamento normal do produto. O título, direitos de propriedade e direitos de propriedade intelectual no e para o Software permanecem propriedade da Garmin.

O adquirente reconhece que o Software é propriedade da Garmin e está protegido ao abrigo das leis de direitos de autor dos Estados Unidos da América e tratados de direitos de autor internacionais. O adquirente reconhece ainda que a estrutura, organização e código do Software são segredos comerciais valiosos da Garmin e que o Software no formato de código de fonte permanece um segredo comercial valioso da Garmin. O adquirente acorda não descompilar, desmontar, modificar, montar inversamente, utilizar engenharia reversa ou reduzir a um formato legível o Software ou parte do mesmo, nem criar quaisquer trabalhos derivados baseados no Software. O adquirente concorda em não exportar ou re-exportar o Software para qualquer país que viole as leis de controlo à exportação dos Estados Unidos da América.

Garantia Limitada

Este produto Garmin encontra-se garantido contra defeitos de materiais ou de fabrico durante um ano a partir da data de compra. Durante este período, a Garmin reparará ou substituirá, exclusivamente ao seu próprio critério, os componentes que não apresentem o desempenho normal esperado. Esta reparação ou substituição será realizada sem qualquer encargo para o cliente no que respeita a peças e mão-de-obra, desde que o cliente se responsabilize pelos custos de transporte. Esta garantia não se aplica a: (i) danos externos, tais

como riscos, amolgadelas e fendas; (ii) partes consumíveis, tais como pilhas, salvo se os danos no produto resultarem de um defeito de materiais ou de fabrico, (iii) danos resultantes de acidentes, uso excessivo ou incorrecto, água, inundações, incêndios ou outras causas naturais ou externas; (iv) danos causados por reparações realizadas por qualquer pessoa que não um fornecedor de serviços autorizado da Garmin; ou (v) danos em qualquer produto que tenha sido sujeito a modificações ou alterações sem a autorização da Garmin por escrito. Além disso, a Garmin reserva-se o direito de recusar serviços de garantia de produtos ou reparações obtidos e/ou utilizados em transgressão das leis de qualquer país.

Este produto foi concebido para ser usado exclusivamente como um auxiliar de viagens, não podendo nunca ser utilizado para quaisquer finalidades que requerem medições precisas da direcção, distância, local ou topografia. A Garmin não oferece quaisquer garantias quanto à exactidão ou precisão dos dados do mapa neste produto.

AS GARANTIAS E RECURSOS ENUMERADOS NESTE DOCUMENTO SÃO EXCLUSIVOS E SUBSTITUEM QUALQUER OUTRA GARANTIA EXPLÍCITA, IMPLÍCITA OU ESTATUTÁRIA, INCLUINDO A RESPONSABILIDADE RESULTANTE DE QUALQUER GARANTIA DE COMERCIABILIDADE OU ADEQUAÇÃO PARA UM DETERMINADO FIM, ESTATUTÁRIO OU OUTRO. ESTA GARANTIA CONCEDE-LHE DIREITOS LEGAIS ESPECÍFICOS, QUE PODEM VARIAR DE ESTADO PARA ESTADO.

EM NENHUM CASO SERÁ ATRIBUÍDA À GARMIN RESPONSABILIDADE POR QUAISQUER DANOS INCIDENTAIS, ESPECIAIS, INDIRECTOS OU CONSEQUENTES, INCLUINDO, MAS NÃO SE LIMITANDO, A DANOS RESULTANTES DE QUAISQUER MULTAS DE TRÂNSITO OU CITAÇÕES, CAUSADOS PELA UTILIZAÇÃO, MÁ UTILIZAÇÃO OU INCAPACIDADE DE USAR O PRODUTO OU POR DEFEITOS DO MESMO. ALGUNS ESTADOS NÃO PERMITEM A EXCLUSÃO DE DANOS ACIDENTAIS OU CONSEQUENCIAIS, PELO QUE AS LIMITAÇÕES ACIMA PODERÃO NÃO SER APLICÁVEIS NO SEU CASO.

A Garmin reserva-se o direito exclusivo de reparar ou substituir (com um produto de substituição novo ou renovado) o dispositivo ou software ou oferecer um reembolso total do preço de compra à sua exclusiva discricção. TAL RECURSO CONSTITUIRÁ O ÚNICO E EXCLUSIVO RECURSO DO PROPRIETÁRIO EM CASO DE VIOLAÇÃO DE GARANTIA.

Para obter serviços ao abrigo da garantia, contacte o seu representante autorizado Garmin ou telefone para a Assistência ao Produto Garmin e obtenha instruções de envio e um número de controlo RMA. Embale com cuidado o dispositivo e uma cópia do recibo de compra original, necessária como comprovativo de compra para a obtenção de serviços de reparação ao abrigo da garantia. Escreva o número de controlo com nitidez no exterior da embalagem. O dispositivo deverá ser enviado a um dos balcões de serviços de garantia da Garmin (com gastos de envio pré-pagos).

Compras em leilões online: os produtos adquiridos em leilões online não estão cobertos pela garantia. Não são aceites confirmações de compra em leilões online para verificação da garantia. Para obtenção do serviço de garantia, é necessário o original ou cópia do recibo de compra do comerciante original. A Garmin não substitui componentes em falta de qualquer embalagem adquirida através de leilões on-line.

Compras Internacionais: dependendo do país, os distribuidores internacionais podem fornecer uma

garantia em separado para dispositivos adquiridos fora dos Estados Unidos. Se aplicável, tal garantia é fornecida pelo distribuidor local, o qual proporciona os serviços de reparação do dispositivo. As garantias dos distribuidores são válidas apenas na área a que se destinam. Os dispositivos adquiridos nos Estados Unidos ou Canadá deverão ser devolvidos ao centro de reparações Garmin no Reino Unido, Estados Unidos, Canadá ou Taiwan.

Compras na Austrália: os nossos produtos são fornecidos com garantias que não podem ser excluídas segundo a Australian Consumer Law (Lei do Consumo Australiana). O cliente encontra-se elegível para uma substituição ou reembolso por uma avaria relevante e para uma compensação por qualquer outra perda ou dano razoavelmente previsível. Encontra-se também elegível para a reparação ou substituição dos produtos se os mesmos não tiverem uma qualidade aceitável e a falha não se traduzir numa avaria relevante. Os benefícios da nossa Garantia Limitada são complemento de outros direitos e recursos ao abrigo da lei aplicável em relação aos produtos.

Garmin Austrália/Ásia
Unit 19, 167 Prospect Highway
Seven Hills, NSW, Austrália, 2147
Telefone: 1800 822 235

Política de Garantia de Produtos Náuticos

Garmin: certos produtos náuticos da Garmin têm um período de garantia maior e termos e condições adicionais em certas áreas. Aceda a www.garmin.com/support/warranty.html para obter mais detalhes e ver se o seu produto está coberto pela Política de Garantia de Produtos Náuticos Garmin.

GPS 19x NMEA 0183 Installationsvejledning

⚠ ADVARSEL

Bær altid beskyttelsesbriller, høreværn og støvmaske, når du borer, skærer eller sliber.

BEMÆRK

Når du borer eller skærer, skal du altid kontrollere, hvad der er på den anden side af overfladen.

Den højfølsomme GPS-antenne Garmin GPS 19x NMEA 0183 HVS giver dig positionsoplysninger over NMEA 0183. GPS 19x NMEA 0183 HVS kan sluttes til en Garmin plotter eller en anden NMEA 0183-kompatibel enhed.

Antennen skal være installeret korrekt i henhold til denne vejledning. Du skal bruge korrekte bolte, værktøj og monteringsudstyr. Dette er anført under hver sektion. Disse dele kan fås hos de fleste forhandlere af maritimt udstyr.

BEMÆRK: Når denne antenne tilsluttes en enhed i GPSMAP 2000, 3000, 4000 eller 5000 serien, skal du begrænse opdateringshastigheden (se side 38). Hvis opdateringshastigheden ikke begrænses, kan plotteren måske ikke modtage og vise GPS-signalet korrekt.

Registrering af enheden

- Gå til <http://my.garmin.com>.
- Opbevar den originale købskvittering eller en kopi af den på et sikkert sted.

Til senere brug bør du skrive serienummeret på din antenne på den angivne plads. Nummeret står på et klistermærke på bagsiden af antennen.

Serienummer

Kontakt til Garmins produktsupport

- Gå til www.garmin.com/support, og klik på **Contact Support** for at få oplysninger om support i de forskellige lande.

- I USA skal du ringe på (913) 397,8200 eller (800) 800,1020.
- I Storbritannien skal du ringe på 0808 2380000.
- I Europa skal du ringe på +44 (0) 870,8501241.

Nødvendigt værktøj

- Bor
- 1/8 tomme (3,2 mm) borehoved
- 3/4 tomme (19 mm) borehoved til kabelhul til stagemontering
- 1 tomme (25 mm) hulsav til kabelhul til planmontering
- Skruetrækker, der passer til skruetypen
- Forsænkningshoved til montering på fiberglas
- Marineforsegler til visse monteringsløsninger
- Lodning og krympeforsegling
 - Nødvendigt til alle ledningsforbindelser
 - Især nødvendigt, når antennen begrænses til 1 Hz (side 38)

Valgfrit tilbehør

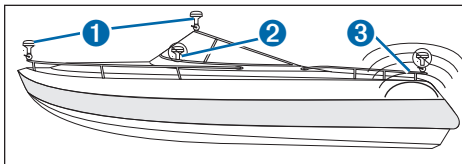
- Skruer til montering under dæk

Monteringstype og valg af monteringssted

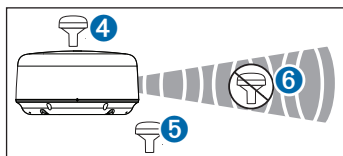
Du kan montere antennen på en flad overflade, fastgør den til en 1 tomme OD, 14 gevind pr. tomme, gevindstage (ikke inkluderet), eller installer den under fiberglasstet.

For at opnå optimal ydeevne skal du overveje følgende, når du vælger monteringssted til antennen.

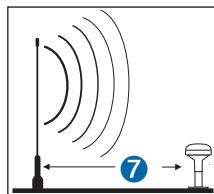
- Antennen skal monteres 5,9 tommer (150 mm) fra et kompas for at undgå interferens.
- Du sikrer den bedste modtagelse ved at montere antennen et sted, hvor der er klart og frit udsyn til himmelen i alle retninger 1.



- Antennen bør ikke monteres på et sted, hvor der er skygge fra bådens overbygning 2, en radarantenne eller en mast.
- Antennen bør ikke monteres i nærheden af motoren eller andre kilder af elektromagnetisk interferens (EMI) 3.
- Hvis der er en radar, er det bedst at installere antennen over radarstråls bane 4, selvom det er acceptabelt at installere antennen under radarstråls bane 5, hvis det ikke kan undgås. Antennen bør ikke installeres direkte i flugt med radaren 6.



- Antennen bør monteres mindst 3 fod (1 m) væk fra (helst over) radarstrålers og VHF-radioantenners bane 7.



- Undgå at montere antennen højt oppe på masten på en sejlbåd, hvis du vil undgå upræcise hastighedsvisninger, der er forårsaget af for megen krængning.
- Antennen giver mere stabile læsninger, hvis den er placeret tættere på vandet.

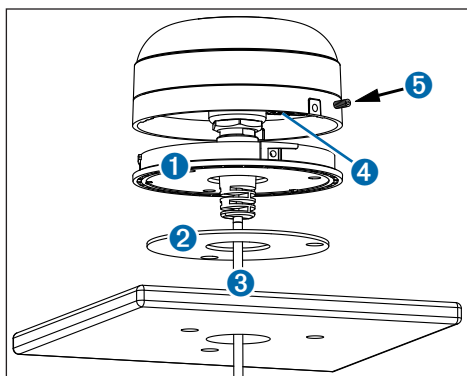
Test af monteringssted

- 1 Fastgør antennen midlertidigt der, hvor du ønsker at montere den, og kontroller, om den fungerer korrekt.
- 2 Hvis du oplever interferens med andre elektriske apparater, skal du finde en ny placering og kontrollere igen.
- 3 Gentag trin 1–2, indtil antennen fungerer korrekt.
- 4 Fastgør antennen permanent.

Planmontering af antennen

Før du monterer antennen permanent, skal du kontrollere, om den fungerer korrekt (side 35).

Brug planmonteringsbeslaget 1 som monteringskabelon.



- 1 Brug en blyant til at markere placeringen af de tre skrue og til at markere hullet til kablet midt i beslaget.
- 2 Læg planmonteringsbeslaget væk. Bor ikke gennem planmonteringsbeslaget.
- 3 Bor de tre 1/8 tomme (3,2 mm) forboringshuller. **BEMÆRK:** Hvis du monterer GPS 19x på fiberglas, anbefales det, at du bruger et forsænkingsbor til at udbore en frigangsforsænkning i det øverste lag af gelcoat (men ikke dybere). Det vil medvirke til, at gelcoatlaget ikke revner, når du strammer skrueerne.
- 4 Brug en 1 tomme (25 mm) hulsav til at save kabelhullet i midten.
- 5 Placer forseglingsskiven 2 i bunden af planmonteringsbeslaget, mens du justerer skruehullerne.
- 6 Brug de medfølgende M4-skrue til at fastgøre planmonteringsbeslaget til monteringsfladen.
- 7 Før kablet 3 gennem hullet på 1 tomme (25 mm), og slut det til antennen.
- 8 Kontroller, at den store pakning 4 er på plads nederst på antennen, og sæt antennen på planmonteringsbeslaget, og drej den med uret for at låse den på plads.
- 9 Fastgør antennen til monteringsbeslaget med den medfølgende M3-sætskrue 5.
- 10 Før kablet væk fra kilder til elektronisk interferens, og slut det til strømkilden og en NMEA 0183-kompatibel enhed (side 38).

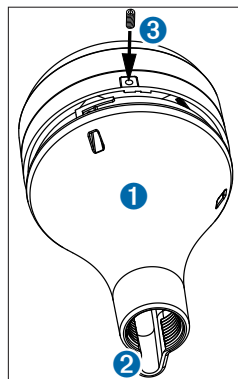
Stagemontering af antennen

Når adapteren til stagemontering sidder på antennen, kan du montere den på en standard 1 tomme OD, 14 gevind pr. tomme, gevindstage (medfølger ikke). Du kan føre kablet på ydersiden af stagen eller gennem stagen.

Før du monterer antennen permanent, skal du kontrollere, om den fungerer korrekt (side 35).

Montering af antennen med kabelføring på ydersiden af stagen

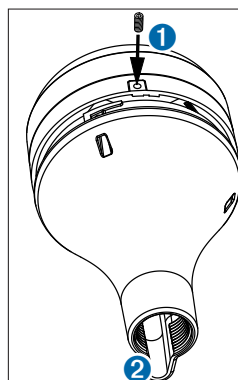
- 1 Før kablet gennem adapteren til stagemontering 1, og placer kablet i det lodrette hul 2 langs adapterens base.



- 2 Skru adapteren til stagemontering på en standard 1 tomme OD, 14 gevind pr. tomme, gevindstage (medfølger ikke). Stram ikke adapteren på stagen for hårdt.
- 3 Forbind kablet med antennen.
- 4 Sæt antennen på planmonteringsbeslaget, og drej den med uret for at låse den fast.
- 5 Fastgør antennen til adapteren med den medfølgende M3-sætskrue 3.
- 6 Når antennen er monteret på stageholderen, skal du fylde det lodrette hul med marineforsegler (valgfrit).
- 7 Fastgør marinestageholderen til båden, hvis den ikke allerede er fastgjort.
- 8 Før kablet væk fra kilder til elektronisk interferens, og slut det til strømkilden og en NMEA 0183-kompatibel enhed (side 38).

Montering af antennen med kablet ført gennem stagen

- 1 Placer en standard 1 tomme OD, 14 gevind pr. tomme, gevindstage (medfølger ikke) der, hvor du ønsker at montere den, og aftegn den omtrentlige midte af stagen.
- 2 Bor et hul med et 3/4 tomme (19 mm) borehoved til at føre kablet igennem.
- 3 Fastgør stagemonteringen til båden.
- 4 Fastgør adapteren til stagemontering på stagen. Stram ikke adapteren for hårdt.
- 5 Før kablet gennem stagen, og slut det til antennen.
- 6 Sæt antennen på planmonteringsbeslaget, og drej den med uret for at låse den fast.
- 7 Fastgør antennen til adapteren med den medfølgende M3-sætskrue 1.



- 8 Når antennen er installeret på stageholderen, skal du udfylde det lodrette kabelhak 2 med marineforsegler (valgfrit).

- 9 Før kablet væk fra kilder til elektronisk interferens, og slut det til strømkilden og en NMEA 0183-kompatibel enhed (side 38).

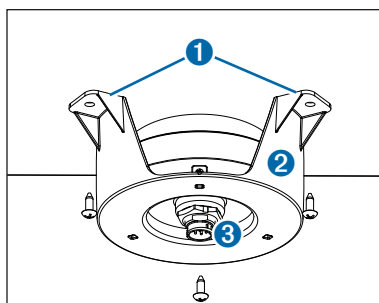
Montering af antennen under en overflade

BEMÆRK

Før du anvender monteringsbeslaget til skjult montering, skal du kontrollere, at de vedlagte skruer ikke går gennem overfladen. Hvis de vedlagte skruer er for lange, skal du købe skruer, der passer til overfladen, før du kan gennemføre monteringen.

Da antennen har svært ved at opfange signaler gennem metal, kan den kun monteres under en fiberglasoverflade.

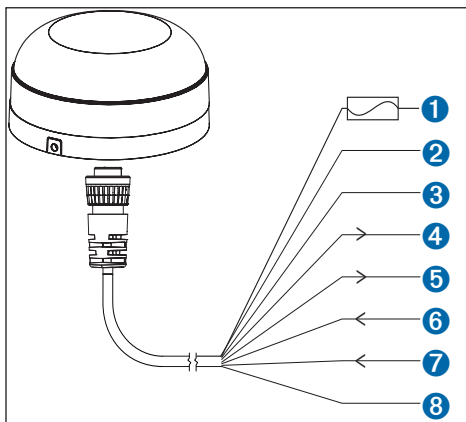
- 1 Beslut og test en placering under en fiberglasoverflade, hvor du ønsker at montere antennen (side 35).



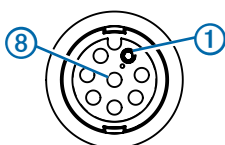
- 2 Placer de selvklæbende puder 1 på monteringsbeslaget til skjult montering 2.
 3 Placer antennen i monteringsbeslaget til skjult montering.
 4 Fastklæb monteringsbeslaget til monteringsfladen.
 5 Fastgør monteringsbeslaget til skjult montering til monteringsfladen ved hjælp af skruer.
 6 Forbind kablet med antennen 3.
 7 Før kablet væk fra kilder til elektronisk interferens, og slut det til strømkilden og en NMEA 0183-kompatibel enhed (side 38).

Tilslutning af antennen til strøm og til en NMEA 0183-kompatibel enhed

Antennen skal tilsluttes til strøm og til en NMEA 0183-kompatibel enhed. Brug diagrammerne til at sikre korrekt ledningsføring for antennen. Du kan tilslutte op til tre NMEA 0183-kompatible enheder, så de modtager data fra én antenne.



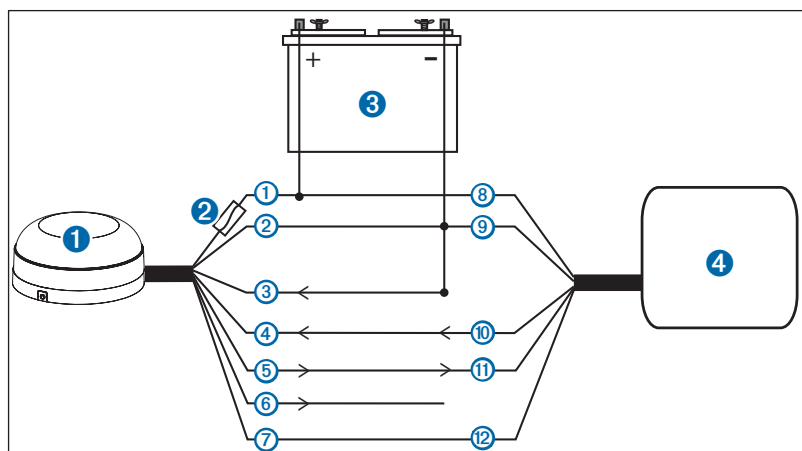
Ledning	Farve	Funktion	Ben
1	Rød	Strøm (+) (1 A-sikring)	3
2	Sort	Jord (-)	2
3	Orange	Tilbehør til	4
4	Tåget	Tx A(+)	6
5	Hvid/rød	Tx B(-)	5
6	Hvid	Rx A(+)	1
7	Hvid/orange	Rx B(-)	7
8	Lilla	PPS (Pulse per second)	8



1	Ben 1
8	Ben 8

Eksempler

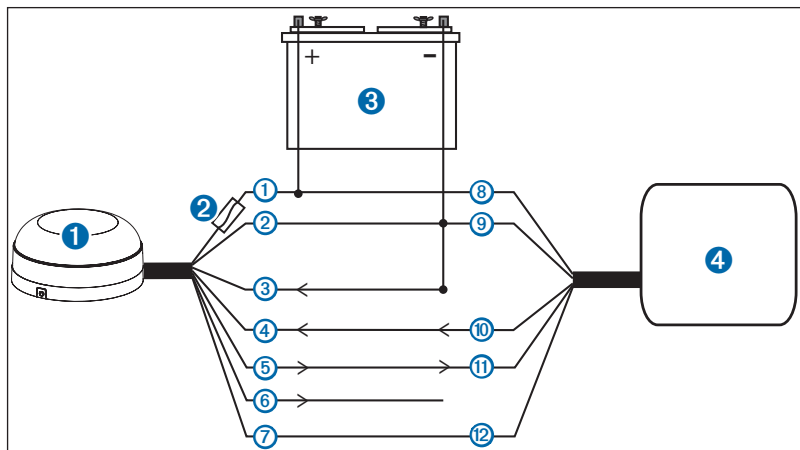
Tilslutning af antennen til en Garmin-plotter



Punkt	Beskrivelse
1	GPS 19x antennen
2	1 A-sikring
3	12 V DC-batteri
4	Garmin NMEA 0183-kompatibel plotter

Antenneledning	Farve	Plotterledning	Farve
1	Rød	8	Rød
2	Sort	9	Sort
3	Hvid/orange (Jord)		
4	Hvid	10	Grøn
5	Tåget	11	Grøn/hvid
6	Hvid/rød (ikke tilsluttet)		
7	Orange	12	Orange

Tilslutning af antennen til en NMEA 0183-kompatibel enhed til 2-vejs kommunikation



Punkt	Beskrivelse
1	GPS 19x antennen
2	1 A-sikring
3	12 V DC-batteri
4	Garmin NMEA 0183-kompatibel plotter

Antenneledning	Farve	Ledning til NMEA 0183-enheden	Funktion
1	Rød	8	Strøm (+)
2	Sort	9	Jord (-)
3	Orange	10	Tilbehør TIL
4	Tåget	11	Rx/A (+)
5	Hvid/rød	12	Rx/B (-)
6	Hvid	13	Tx A (+)
7	Hvid/orange	14	Tx B (-)

Undtagelser for NMEA 0183-tilslutninger

⚠ ADVARSEL

Den orange ledning (Tilbehør-TIL) bruges, når antennen tilsluttes til en Garmin-plotter, eller en anden NMEA 0183-enhed, som har en specifik tilbehørstilslutning. Hvis du tilslutter antennen til en enhed, der ikke har en tilbehørstilslutning, skal den orange ledning fra antennen jordes.

Hvis du tilslutter antennen til en enhed, der ikke har en tilbehørstilslutning (Tilbehør-TIL), skal du tilslutte antennens strømledning til tændingen eller installere en serieafbryder. Antennen kan tære på bådens batteri, hvis den ikke kobles til en afbryder.

- Hvis din NMEA 0183-kompatible enhed kun er udstyret med én modtageledning (Rx), skal den tilsluttes til den grå ledning (Tx/A), der udgår fra antennen, og den hvide/røde ledning (Tx/B) fra antennen skal ikke tilsluttes.
- Hvis din NMEA 0183-kompatible enhed kun er udstyret med én sendeledning (Tx), skal du tilslutte den hvide ledning (Rx/A), der udgår fra antennen, og tilslutte den hvide/orange ledning (Rx/B) fra antennen til jord.

Begrænsning af antennens opdateringsfrekvens

Antennen udsender som standard opdateringer af positionsoplysninger 10 gange pr. sekund med en seriel kommunikationshastighed på 38400 bps. Ved at installere det medfølgende modstandskabel

kan antennen begrænses til at udsende positionsopdateringer en gang i sekunden med en seriel kommunikationshastighed på 4800 bps.

- Monter antennen i overensstemmelse med disse instruktioner (side 35).
- Hvis nødvendigt kan du tilskære kablet til en passende længde til installationen.
- Lod det medfølgende rate-change in-line kabel til den orange Tilbehør-TIL-ledning.
- Brug varmekrymperør rundt om de loddede forbindelser.
- Hvis du ikke allerede har tilsluttet antennen, skal du tilslutte strøm- og datakablerne (side 38).

Plottersoftware

For at sikre kompatibilitet med antennen skal du opgradere din Garmin-plotter med den nyeste software. Der er flere oplysninger på www.garmin.com/support.

Oplysninger om vedligeholdelse

Kabinettet er konstrueret af materialer af høj kvalitet og kræver ingen vedligeholdelse af brugeren ud over rengøring.

Rengøring af kabinettet

Rengør den ydre beklædning af enheden med en klud, der er fugtet med et skånsomt rengøringsmiddel, og tør den herefter af.

Undgå kemiske rengøringsmidler og opløsningsmidler, der kan beskadige plastikkomponenterne.

Specifikationer

Mål (Diameter × Højde)	3 ^{19/32} tomme × 1 ^{15/16} tomme (91,6 mm × 49,5 mm)
Vægt	7,1 oz (201 g)
Kabellængde	30 fod (9,14 m)
Temperaturområde	-22° til 176°F (-30° til 80°C)
Kabinetmateriale	Fuldt tætnet, robust plastlegering, vandtæt iht. standarden IEC 60529 IPX7
Sikkerhedsafstand for kompas	5,9 tommer (150 mm)
Strømkilde	8–33 Vdc, ikke justeret
Strømtilførsel	40 mA ved 12 Vdc

Vigtige produkt- og sikkerhedsinformationer



Din GPS-enhed bruger muligvis et internt batteri, der ikke kan udskiftes af brugeren, til forskellige formål, f.eks. til realtidsuret.

Du må ikke fjerne eller forsøge at fjerne batteriet, der ikke kan udskiftes af brugeren.

Når du bortskaffer enheden, skal du aflevere den hos en professionel virksomhed, f.eks. et anlæg, der behandler elektronisk affald, så batteriet bliver taget ud og genanvendt.

Nedsænkning i vand

Enheden er vandtæt iht. IEC-standard 60529 IPX7. Den kan tåle nedsænkning i 1 meter vand i 30 minutter. Længere tids nedsænkning kan beskadige enheden. Efter nedsænkning skal du sørge for at aftørre og lufttørre enheden, før du igen tager den i brug.

Overensstemmelseserklæring

Garmin erklærer hermed, at dette produkt overholder de essentielle krav og andre relevante dele af direktivet 1999/5/EC. Hvis du vil se hele overensstemmelseserklæringen, skal du gå til www.garmin.com/compliance.

Softwarelicensaftale

VED AT BRUGE PLOTTEREN ACCEPTERER DU AT VÆRE BUNDET AF VILKÅRENE OG BETINGELSERNE I DEN FØLGENDE SOFTWARELICENS-AFTALE. LÆS DENNE AFTALE GRUNDIGT.

Garmin giver dig en begrænset licens til at bruge softwaren i denne enhed ("Software") i binær udførbar form ved normal brug af produktet. Titel, ejendomsret og intellektuelle ejendomsrettigheder til softwaren forbliver hos Garmin.

Du bekræfter, at softwaren tilhører Garmin og er beskyttet ifølge amerikansk lov om ophavsret og internationale aftaler om ophavsret. Du bekræfter endvidere, at softwarens struktur, organisering og kode er værdifulde forretningshemmeligheder, der tilhører Garmin, og at softwaren i kildekodeform er en værdifuld forretningshemmelighed, der forbliver Garmins ejendom. Du accepterer, at softwaren eller nogen del af denne ikke må skilles ad, demonteres, modificeres, ommonteres, omstruktureres eller reduceres til læsbar form, og at du ikke må skabe enheder, der er afledt af eller baseret på softwaren. Du accepterer, at du ikke må eksportere eller reeksportere softwaren til noget land i strid med USA's love om eksportregulering.

Begrænset garanti

Dette produkt fra Garmin garanteres at være fri for fejl og mangler i materialer og udførelse i ét år fra købsdatoen. I denne periode vil Garmin efter

eget valg reparere eller udskifte alle komponenter, der ikke fungerer ved normal brug. Sådanne reparationer eller udskiftninger foretages uden beregning for kunden, hvad angår reservedele og arbejds løn, mens kunden er ansvarlig for eventuelle transportomkostninger. Denne garanti dækker ikke: (i) kosmetiske skader som f.eks. ridser, skrammer og buler; (ii) forbrugsartikler som f.eks. batterier, medmindre der er opstået produktskader pga. en defekt i materialer eller udførelse; (iii) skader forårsaget af ulykker, forkert brug, misbrug, vand, oversvømmelse, brand eller andre naturkatastrofer eller udefrakommende årsager; (iv) skader pga. service, der er udført af en person, som ikke er en autoriseret serviceudbyder for Garmin; eller (v) skader på et produkt, som er blevet modificeret eller ændret uden skriftlig tilladelse fra Garmin. Garmin forbeholder sig desuden ret til at afvise garantikrav angående produkter eller tjenester, der erhverves og/eller bruges i modstrid med lovgivningen i noget land.

Dette produkt er beregnet til kun at blive brugt som et rejsehjælpe middel og må ikke anvendes til noget formål, som kræver nøjagtig måling af retning, afstand, position eller topografi. Garmin udsteder ingen garanti for, at produktets kortdata er nøjagtige eller komplette.

DE OMTALTE GARANTIER OG FEJLRETTELSE ER UDTØMMENDE OG TRÆDER I STEDET FOR ALLE ANDRE GARANTIER, BÅDE UDTRYKKELIGE, UNDERFORSTÅEDE OG LOVMÆSSIGE, HERUNDER EVENTUELT ANSVAR SOM FØLGE AF GARANTI FOR SALGBARHED ELLER EGNETHED TIL ET BESTEMT FORMÅL, SOM MÅTTE SKYLDES LOVMÆSSIGE ELLER ANDRE FORHOLD. DENNE GARANTI GIVER DIG BESTEMTE JURIDISKE RETTIGHEDER, SOM KAN VARIERE FRA LAND TIL LAND.

GARMIN KAN UNDER INGEN OMSTÆNDIGHEDER HOLDES ANSVARLIG FOR HÆNDELIGE, SÆRLIGE ELLER INDIREKTE SKADER ELLER FØLGESKADER, HERUNDER UDEN BEGRÆNSNING SKADER I FORM AF ENHVER TRAFIKBØDE ELLER STÆVNING, UANSET OM DET SKYLDES BRUG, MISBRUG ELLER FORHINDRET BRUG AF PRODUKTET ELLER FEJL I PRODUKTET. NOGLE LANDE TILLADER IKKE UDELUKKELSE AF ANSVAR FOR INDIREKTE TAB ELLER FØLGESKADER, SÅ OVENSTÅENDE BEGRÆNSNINGER GÆLDER MULIGVIS IKKE FOR DIG.

Garmin forbeholder sig den fulde ret til efter eget skøn at reparere eller udskifte enheden eller softwaren (med et nyt eller nyligt grundigt eftersat erstatningsprodukt) eller tilbyde fuld refundering af købsprisen. DEN VALGTE LØSNING ER DIN ENESTE LØSNING PÅ ETHVERT BRUD PÅ GARANTIEN.

Kontakt den lokale autoriserede Garmin-forhandler for at få garantiservice, eller ring til Garmins produkt-support for forsendelsesinstruktioner og et RMA-registreringsnummer. Pak enheden sikkert ind, og vedlæg en kopi af den originale faktura, der kræves som bevis for købet, med henblik på reparation i henhold til garantien. Skriv registreringsnummeret tydeligt uden på pakken. Enheden skal sendes med forudbetalt fragt til en af Garmins garantiservicestationer.

Køb på onlineauktioner: Produkter, der er købt på onlineauktioner, er ikke berettiget til garantidækning. Onlineauktionsbekræftelser accepteres ikke som bevis på krav om garanti. Der kræves en original faktura fra forhandleren (eller en kopi af den) for at få garantiservice. Garmin vil ikke erstatte manglende dele fra en pakke, der er købt på en onlineauktion.

Internationale køb: Der udstedes muligvis en separat garanti af internationale forhandlere for enheder, som er købt uden for USA afhængigt af

landet. Hvis en sådan garanti findes, gives den af den lokale forhandler i landet, og denne forhandler yder lokal service til din enhed. Forhandlergarantier gælder kun i de tilsigtede distributionsområder. Enheder, som er købt i USA eller Canada, skal returneres til Garmins servicecenter i Storbritannien, USA, Canada eller Taiwan for service.

Købt i Australien: Vores varer leveres med en garanti, der ikke kan fralægges i henhold til den australske forbrugerlovgivning. Du får et nyt produkt eller en udskiftning eller refundering i tilfælde af større fejl og som kompensation for påregnelige tab eller skader. Du er endvidere berettiget til at få produktet repareret eller udskiftet, hvis produktet ikke har en acceptabel kvalitet, og hvis fejlen ikke vurderes som en større fejl. Fordelene under den begrænsede garanti er ud over de øvrige rettigheder og fejlrettelser i henhold til gældende lovgivning hvad angår pågældende produkter.

Garmin Australia
Unit 19, 167 Prospect Highway
Seven Hills, NSW, Australia, 2147
Telefon: 1800 822 235

Garmins Marine Garantipolitik: Visse Garmin Marineprodukter i visse områder har en længere garantiperiode og ekstra vilkår og betingelser. Gå til www.garmin.com/support/warranty.html for at få yderligere oplysninger, og for at se, om dit produkt er omfattet af Garmins Marine Garantipolitik.

Installeringsinstruksjoner for GPS 19x NMEA 0183

⚠ FORSIKTIG

Bruk alltid vernebriller, hørselsvern og støvmaske når du borer, skjærer eller sliper.

MERKNAD

Du må alltid undersøke hva som er på den motsatte siden av overflaten før du begynner å bore eller skjære.

Den høyfølsomme GPS-antennen Garmin GPS 19x NMEA 0183 HVS gir posisjonsinformasjon via NMEA 0183-nettverk. GPS 19x NMEA 0183 HVS kan kobles til en Garmin-kartplotter eller en annen NMEA 0183-kompatibel enhet.

Antennen må installeres som beskrevet i disse instruksjonene. Du trenger de riktige festene, verktøyene og brakettene som oppgis i hvert avsnitt. Disse varene er tilgjengelige hos de fleste forhandlere av maritime produkter.

MERK: Når du kobler denne antennen til en enhet i GPSMAP 2000-, 3000-, 4000- eller 5000-serien, må du begrense oppdateringsfrekvensen (se side 43). Hvis du ikke begrenser oppdateringsfrekvensen, kan det hende at kartplotteren ikke mottar eller viser GPS-signalet slik den skal.

Registrere enheten

- Gå til <http://my.garmin.com>.
- Oppbevar den originale kvitteringen, eller en kopi av den, på et trygt sted.

Skriv inn serienummeret for antennen i feltet som vises, for fremtidig bruk. Du finner nummeret på et klistremerke på baksiden av antennen.

Serienummer

Kontakte Garmins produktsupport

- Gå til www.garmin.com/support og klikk på **Contact Support** for å finne informasjon om innenlandsk support.
- I USA: Ring (913) 397 8200 eller (800) 800 1020.
- I Storbritannia: Ring 0808 238 0000.
- I Europa: Ring +44 (0) 870 850 1241.

Nødvendige verktøy

- Bor
- 3,2 mm (1/8 tomme) borbits
- 19 mm (3/4 tomme) borbits til kabelhull for montering på stang
- 25 mm (1 tomme) hullsag til kabelhull for overflatemontering
- Skrutrekker til aktuell skruetype
- Forsenkningsbits til montering på glassfiber
- Maritim tetningsmasse for enkelte monteringsalternativer
- Loddemetall og varmekrymperør
 - Nødvendig for alle ledningskoblinger
 - Spesielt nødvendig hvis du skal begrense antennen til 1 Hz (side 43)

Valgfritt tilbehør

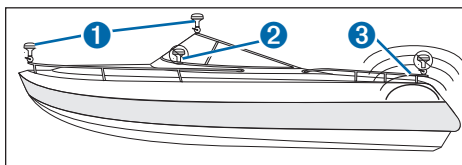
- Skruer til montering under dekk

Monteringstype og hensyn ved valg av monteringssted

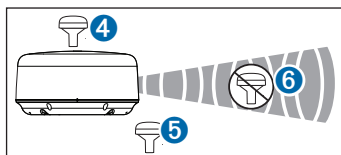
Du kan montere antennen på en flat overflate, feste den til en standard rørgjengestang med utvendig diameter på 1 tomme, 14 gjenger per tomme (ikke inkludert), eller installere den under glassfiber.

Tenk over følgende retningslinjer for optimal ytelse når du velger monteringssted for antennen.

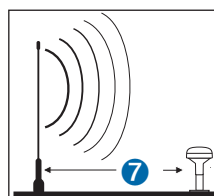
- Antennen må monteres 150 mm (5,9 tommer) unna et kompass for å unngå forstyrrelser.
- Monter antennen på et sted som har fri og uhindret sikt til himmelen i alle retninger, for å sikre best mulig mottak 1.



- Antennen bør ikke monteres i skyggen av båtens overbygging 2, en antennekuppel eller masten.
- Antennen bør ikke monteres i nærheten av motoren eller andre kilder som kan føre til elektromagnetisk interferens (EMI) 3.
- Hvis det er montert en radar på båten, bør antennen installeres over radarens bane 4. Det er imidlertid mulig å installere den under radarens bane 5 hvis det er nødvendig. Antennen må ikke installeres direkte i radarens bane 6.



- Antennen bør monteres minst 1 m (3 fot) vekk fra (fortrinnsvis over) radarens strålebane eller en VHF-antenne 7.



- På en seilbåt må du unngå å montere antennen høyt på masten for å unngå unøyaktige hastighetsavlesninger som følger av overdreven krenkning.
- Antennen gir mer stabile avlesninger når den er plassert nærmere havnivået.

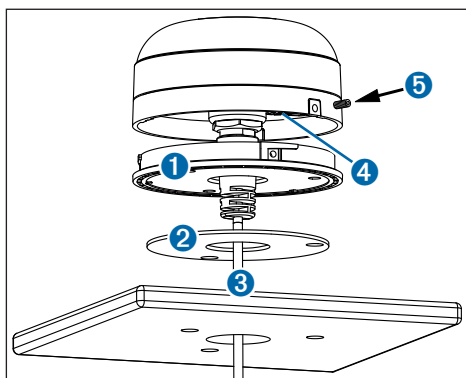
Teste monteringsstedet

1. Fest antennen midlertidig på det stedet du vil montere den, og test om den fungerer riktig.
2. Hvis du registrerte forstyrrelser fra annen elektronikk, flytter du antennen til et annet sted og tester den på nytt.
3. Gjenta trinn 1–2 til du kan bekrefte at antennen fungerer som den skal.
4. Monter antennen.

Montere antennen på en overflate

Før du monterer antennen for godt, må du teste at antennen fungerer som den skal på monteringsstedet (side 40).

Bruk overflatemonteringsbraketten ❶ som monteringsmal.



1. Bruk en blyant til å merke av de tre skrueløserplasseringene, og tegn inn kabelhullet i midten av braketten.
2. Legg overflatemonteringsbraketten til side. Ikke bor gjennom overflatemonteringsbraketten.
3. Bor de tre styrehullene på 3,2 mm (1/8 tomme).
MERK: Hvis du monterer GPS 19x-antennen på glassfiber, anbefales det at du bruker en forsenkningsbits til å bore en klaringsforsenkning gjennom det øverste laget med gelbelegg (men ikke dypere). Dette bidrar til å forhindre sprekker i gelbelegget når skruene strammes til.
4. Bruk en hullsag på 25 mm (1 tomme) til å skjære ut kabelhullet i midten.
5. Plasser tetningsputen ❷ på bunnen av overflatemonteringsbraketten, og juster den etter skrueløserne.
6. Bruk de medfølgende M4-skruene til å feste overflatemonteringsbraketten til monteringsoverflaten.
7. Før kabelen ❸ gjennom hullet på 25 mm (1 tomme), og koble den til antennen.
8. Kontroller at den store gummipakningen ❹ sitter på plass nederst på antennen, plasser antennen på overflatemonteringsbraketten, og vri den med klokken for å låse den på plass.
9. Fest antennen til monteringsbraketten med den medfølgende M3-justeringsskruen ❺.
10. Før kabelen bort fra kilder som kan føre til elektronisk interferens, og koble den til strøm og en enhet som er i samsvar med NMEA 0183 (side 42).

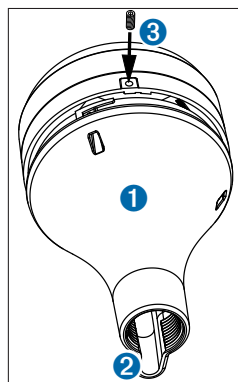
Feste antennen på en stang

Når den medfølgende adapteren for montering på stang er festet til antennen, kan antennen installeres på en standard rørgjengestang med utvendig diameter på 1 tomme, 14 gjenger per tomme (ikke inkludert). Du kan føre kabelen på utsiden av stangen eller gjennom stangen.

Før du monterer antennen for godt, må du teste at antennen fungerer som den skal på monteringsstedet (side 40).

Montere antennen med kabelen ført på utsiden av stangen

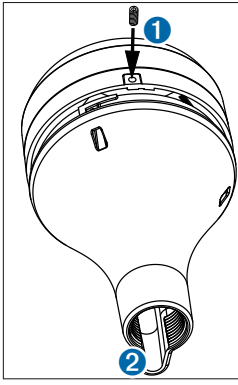
1. Før kabelen gjennom adapteren for montering på stang ❶, og plasser kabelen i det vertikale sporet ❷ langs sokkelen til adapteren for montering på stang.



2. Skru adapteren for montering på stang fast til en standard rørgjengestang med utvendig diameter på 1 tomme, 14 gjenger per tomme (ikke inkludert).
Ikke fest adapteren for stramt til stangen.
3. Koble kabelen til antennen.
4. Plasser antennen på adapteren for montering på stang, og vri den med klokken for å låse den på plass.
5. Fest antennen til adapteren med den medfølgende M3-justeringsskruen ❸.
6. Når antennen er montert på festet for montering på stang, fyller du det gjenstående mellomrommet i det vertikale kabelsporet med maritim tetningsmasse (valgfritt).
7. Fest stangen til båten hvis den ikke er festet fra før.
8. Før kabelen bort fra kilder som kan føre til elektronisk interferens, og koble den til strøm og en enhet som er i samsvar med NMEA 0183 (side 42).

Montere antennen med kabelen ført gjennom stangen

1. Plasser en standard rørgjengestang med utvendig diameter på 1 tomme, 14 gjenger per tomme (ikke inkludert), på det valgte stedet, og merk av det omtrentlige midtpunktet på stangen.
2. Bor et hull med en borbits på 19 mm (3/4 tomme) som kabelen kan føres gjennom.
3. Fest stangen til båten.
4. Sett adapteren for montering på stang på stangen.
Ikke stram til adapteren for mye.
5. Før kabelen gjennom stangen, og koble den til antennen.
6. Plasser antennen på adapteren for montering på stang, og vri den med klokken for å låse den på plass.
7. Fest antennen til adapteren med den medfølgende M3-justeringsskruen ❶.



8. Når antennen er montert på festet for montering på stang, fyller du det vertikale kabelsporet ② med maritim tetningsmasse (valgfritt).

9. Før kabelen bort fra kilder som kan føre til elektronisk interferens, og koble den til strøm og en enhet som er i samsvar med NMEA 0183 (side 42).

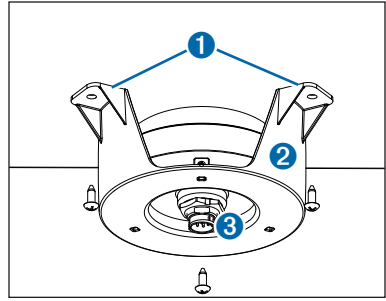
Montere antennen under en overflate

MERKNAD

Før du fester braketten for montering under dekk til overflaten, må du kontrollere at de medfølgende skruene ikke går gjennom overflaten. Hvis de medfølgende skruene er for lange, må du kjøpe skruer som er egnet for overflaten, før du går videre med installeringen.

Antennen kan ikke innhente signaler gjennom metall. Den må derfor bare monteres under en overflate av glassfiber.

1. Velg ut og test stedet der du vil montere antennen under en overflate av glassfiber (side 40).



2. Plasser klebeputene ① på braketten for montering under dekk ②.

3. Plasser antennen i braketten for montering under dekk.

4. Fest braketten for montering under dekk til monteringsoverflaten.

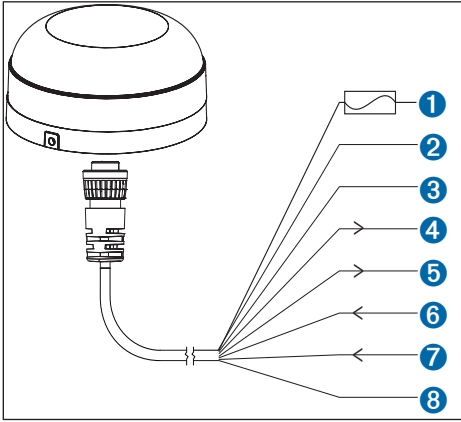
5. Skru braketten for montering under dekk fast til monteringsoverflaten med skruer.

6. Koble kabelen til antennen ③.

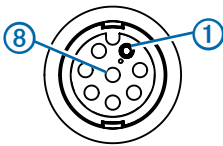
7. Før kabelen bort fra kilder som kan føre til elektronisk interferens, og koble den til strøm og en enhet som er i samsvar med NMEA 0183 (side 42).

Koble antennen til strøm og til en NMEA 0183-kompatibel enhet

Antennen må kobles til strøm og til en NMEA 0183-kompatibel enhet. Bruk diagrammene for å koble antennen riktig. Du kan koble til opptil tre NMEA 0183-kompatible enheter til å motta data fra én antenne.



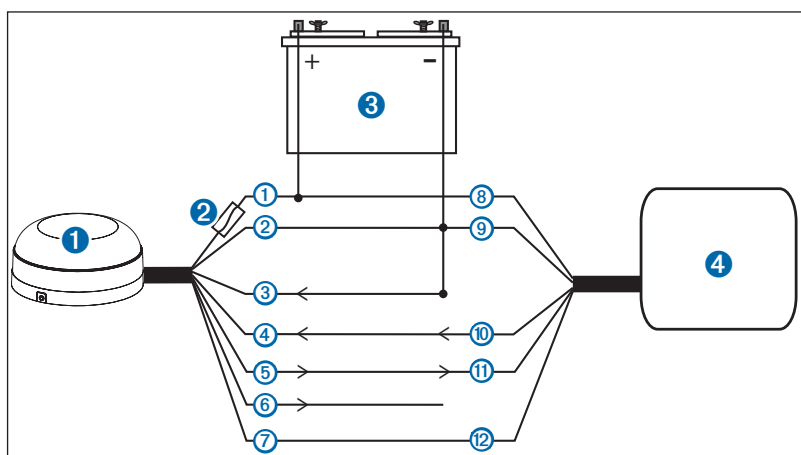
Ledning	Farge	Funksjon	Pinne
①	Rød	Strøm (+) (1A-sikring)	3
②	Svart	Jord (-)	2
③	Oransje	Tilbehør på	4
④	Grå	Tx A(+)	6
⑤	Hvit/rød	Tx B(-)	5
⑥	Hvit	Rx A(+)	1
⑦	Hvit/oransje	Rx B(-)	7
⑧	Lilla	Pulsering per sekund (PPS)	8



①	Pinne 1
⑧	Pinne 8

Eksempler

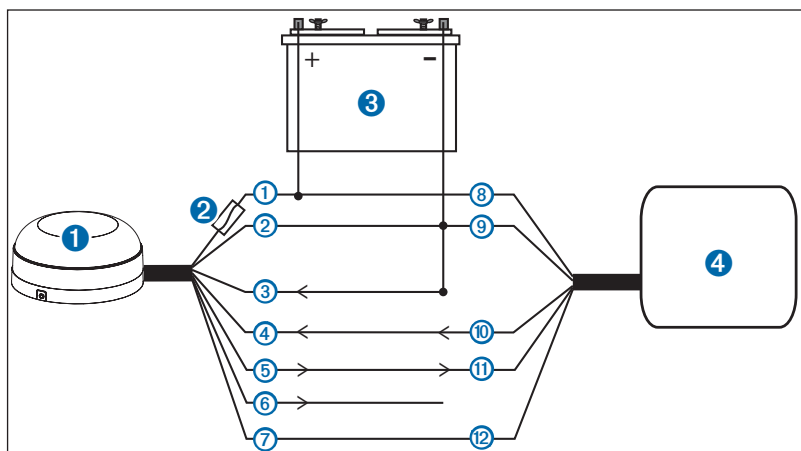
Koble antennen til en Garmin-kartplotter



Element	Beskrivelse
1	GPS 19x-antenne
2	1A-sikring
3	12 VDC-batteri
4	Kartplotter som samsvarer med Garmin NMEA 0183

Antenneledning	Farge	Kartplotterledning	Farge
1	Rød	8	Rød
2	Svart	9	Svart
3	Hvit/oransje (jord)		
4	Hvit	10	Grønn
5	Grå	11	Grønn/hvit
6	Hvit/rød (ikke tilkoblet)		
7	Oransje	12	Oransje

Koble antennen til en NMEA 0183-kompatibel enhet for toveis kommunikasjon



Element	Beskrivelse
1	GPS 19x-antenne
2	1A-sikring
3	12 VDC-batteri
4	Kartplotter som samsvarer med Garmin NMEA 0183

Antenneledning	Farge	NMEA 0183-enhetsledning	Funksjon
1	Rød	8	Strøm (+)
2	Svart	9	Jord (-)
3	Oransje	10	Tilbehør på
4	Grå	11	Rx A (+)
5	Hvit/rød	12	Rx B (-)
6	Hvit	13	Tx A (+)
7	Hvit/oransje	14	Tx B (-)

Unntak for NMEA 0183-tilkobling



Den oransje ledningen (Tilbehør PÅ) brukes når du kobler antennen til en Garmin-kartplotter eller andre NMEA 0183-enheter som har en bestemt ledning for signal fra tilbehør. Hvis du kobler antennen til en enhet som ikke har en ledning for signal fra tilbehør, skal den oransje ledningen fra antennen kobles til jord.

Hvis du kobler antennen til en enhet som ikke har en ledning for signal fra tilbehør (Tilbehør PÅ), kobler du antennens strømledning til tenningen eller installerer

en bryter på ledningen. Antennen tapper batteriet på båten hvis den ikke har en bryter.

- Hvis den NMEA 0183-kompatible enheten bare har én inngående ledning (Rx), kobler du den til den grå ledningen (Tx/A) fra antennen. La den hvite/røde ledningen (Tx/B) fra antennen forbli utilkoblet.
- Hvis den NMEA 0183-kompatible enheten bare har én utgående ledning (Tx), kobler du den hvite ledningen (Rx/A) fra antennen og kobler den hvite/oransje ledningen (Rx/B) fra antennen til jord.

Gegrense antennen oppdateringsfrekvens

Antennen sender som standard posisjonsdataoppdateringer ti ganger i sekundet ved en seriell kommunikasjonsfrekvens på 38 400 bps. Hvis du installerer den medfølgende motstandskabelen, kan antennen begrenses til å sende posisjonsoppdateringer én gang i sekundet ved en seriell kommunikasjonsfrekvens på 4800 bps.

1. Monter antennen i henhold til disse instruksjonene (side 40).
2. Kutt eventuelt kabelen slik at den er riktig lengde for installeringen.
3. Lodd den medfølgende motstandskabelen på den oransje ledningen (Tilbehør PÅ).
4. Bruk varmekrymperør rundt koblingene som er loddet.
5. Hvis du ikke har koblet til antennen, kobler du til strøm- og datakablene nå (side 42).

Programvare for kartplotter

Sørg for at kartplotteren er kompatibel med antennen. Oppgrader Garmin-kartplotteren slik at den har den nyeste programvaren. Du finner mer informasjon på www.garmin.com/support.

Vedlikeholdsinformasjon

Enhetens utside er laget av materialer av høy kvalitet og krever ikke annet vedlikehold fra brukerens side enn rengjøring.

Rengjøre enhetens utside

Rengjør enhetens utside med en klut fuktet med mildt såpevann, og tørk av.

Unngå kjemiske rengjøringsmidler og løsemidler som kan skade plastdeler.

Spesifikasjoner

Mål (diameter × høyde)	91,6 × 49,5 mm (3 19/32 × 1 15/16 tommer)
Vekt	201 g (7,1 oz)
Kabellengde	9,14 m (30 fot)
Temperaturområde	-30 til 80 °C (-22 til 176 °F)
Dekselmateriale	Fullstendig tett, støtsikker plastlegering, vannrett i henhold til IEC 60529 IPX7-standardene
Trygg avstand fra et kompass	150 mm (5,9 tommer)
Strøminntakskilde	8–33 VDC, uregulert
Inntaksspenning	40 mA ved 12 VDC

Viktig sikkerhets- og produktinformasjon

⚠ ADVARSEL!

GPS-enheten kan bruke et internt batteri som ikke skal byttes ut av bruker, til forskjellige formål, for eksempel sanntidsklokken.

Ikke ta ut eller prøv å ta ut batteriet. Det skal ikke byttes ut av bruker.

Når du skal kaste enheten, skal du levere den til et mottak for avhending av elektronisk utstyr, slik at batteriet kan tas ut og resirkuleres.

Nedsenkning i vann

Enheten er vannrett i henhold til IEC-standard 60529 IPX7. Den tåler å være opptil 1 meter under vann i 30 minutter. Hvis enheten er under vann lenger enn det, kan skader oppstå. Etter at enheten har vært under vann, må du tørke av den og la den lufttørke før du bruker den igjen.

Samsvarserklæring

Garmin erklærer herved at dette produktet samsvarer med hovedkravene og andre relevante bestemmelser i direktivet 1999/5/EC. Du finner hele

samsvarserklæringen på www.garmin.com/compliance.

Lisensavtale for programvare

VED Å BRUKE ENHETEN GODTAR DU AT DU ER BUNDET AV FØLGENDE VILKÅR OG BETINGELSER I LISENSAVTALEN FOR PROGRAMVAREN. LES DENNE AVTALEN NØYE.

Garmin gir deg en begrenset lisens til bruk av programvaren som følger med denne enheten ("Programvaren"), i en binær kjørbær form ved normal bruk av produktet. Eiendomsrett og immaterielle rettigheter i og til Programvaren forblir hos Garmin.

Du er innforstått med at Programvaren eies av Garmin og er beskyttet i henhold til USAs opphavsretslover og internasjonale avtaler om opphavsrett. Du er videre innforstått med at strukturen, organiseringen og kodingen i Programvaren er verdifulle forretningshemmeligheter tilhørende Garmin, og at Programvaren i kildekodeform forblir en verdifull forretningshemmelighet som tilhører Garmin. Du samtykker i at du ikke skal dekompile, demontere, endre, reversere eller redusere Programvaren eller deler av den til lesbar form, eller lage avledede produkter basert på Programvaren. Du samtykker i at du ikke skal eksportere eller reeksportere Programvaren til et annet land i strid med USAs eksportlover.

Begrenset garanti

Dette Garmin-produktet garanteres å være feilfritt med hensyn til materiell og utførelse i ett år fra kjøpsdatoen. I denne perioden vil Garmin etter eget valg reparere eller skifte ut enhver komponent som ikke fungerer ved normal bruk. Slike reparasjoner eller utskiftninger utføres kostnadsfritt for kunden, både når det gjelder deler og arbeid, forutsatt at kunden selv dekker eventuelle transportkostnader. Denne garantien gjelder ikke: (i) kosmetiske skader, for eksempel riper, hakk og bulker; (ii) forbruksdeler, for eksempel batterier, med mindre produktet har blitt skadet på grunn av en defekt i materialet eller utførelsen; (iii) skade som skyldes uhell, misbruk, feil bruk, vann, flom, brann eller andre naturhendelser eller eksterne årsaker; (iv) skade som skyldes service som er utført av personer som ikke er autoriserte serviceleverandører for Garmin, eller (v) skade på et produkt som har blitt endret uten skriftlig tillatelse fra Garmin. I tillegg forbeholder Garmin seg retten til å nekte garantikrav mot produkter eller tjenester som er innhentet og/eller som brukes i strid med lovene i et hvilket som helst land.

Dette produktet er bare beregnet på å brukes som en reisehjelp og skal ikke brukes til eventuelle formål som krever nøyaktig måling av retning, avstand, posisjon eller topografi. Garmin gir ingen garantier for nøyaktigheten eller fullstendigheten til kartdataene i dette produktet.

GARANTIENE OG RETTSMIDLENE SOM ER NEDFELT HER, ER EKSKLUSIVE OG ERSTATTER ALLE ANDRE GARANTIER, UTTRYKKELEGE, UNDERFORSTÅTTE ELLER LOVPÅLAGTE, INKLUDERT ETHVERT ERSTATNINGSANSVAR SOM OPPSTÅR SOM ET RESULTAT AV GARANTIER OM SALGBARHET, EGNETHET FOR ET BESTEMT FORMÅL, LOVPÅLAGTE ELLER ANDRE. DENNE GARANTIEN GIR DEG SPESIFIKKE JURIDISKE RETTIGHETER SOM KAN VARIERE FRA LAND TIL LAND.

GARMIN SKAL IKKE UNDER NOEN OMSTENDIGHETER HOLDES ERSTATNINGSANSVARLIG FOR EVENTUELLE TILFELDIGE, SPESIELLE ELLER INDIREKTE SKADER ELLER FØLGESKADER, INKLUDERT, MEN IKKE BEGRENSET TIL, EVENTUELLE TRAFIKKBØTER ELLER STEVNINGER SOM SKYLDES BRUK AV, FEILAKTIG BRUK AV

ELLER MANGLENDE EVNE TIL Å BRUKE
PRODUKTET ELLER MANGLER VED
PRODUKTET. NOEN DELSTATET TILLATER IKKE
ANSVARFRASKRIVELSE VED TILFELDIGE
SKADER OG FØLGESKADER, OG DET ER
DERFOR MULIG AT BEGRENŚNINGENE
OVENFOR IKKE GJELDER FOR DEG.

Garmin forbeholder seg retten til, etter eget skjønn,
å reparere eller erstatte (med et nytt eller nylig
reparert produkt) enheten eller programvaren,
eller tilby full refusjon av kjøpesummen. DETTE
RETTSMIDDELET VIL VÆRE DITT ENESTE OG
EKSKLUSIVE RETTSMIDDEL VED EVENTUELLE
GARANTIBRUDD.

Hvis du ønsker garantiservice, kan du kontakte din
nærmeste autoriserte Garmin-forhandler eller ringe
Garmins produktsupport for å få instruksjoner om
frakt og et RMA-sporingsnummer. Pakk enheten godt
inn, og legg ved en kopi av kvitteringen, som kreves
som kjøpsbevis for å kunne motta garantiservice.
Skriv sporingsnummeret tydelig på utsiden av
pakken. Send enheten med betalt porto til et hvilket
som helst Garmin-verksted som tilbyr garantiservice.

Kjøp på Internett-auksjoner: Produkter som
er kjøpt på Internett-auksjoner, dekkes ikke av
garantier. Bekreftelser fra auksjoner på Internett
godtas ikke som dokumentasjon i garantisaker.
Det kreves en original eller kopi av kvitteringen fra
det opprinnelige utsalgsstedet for at en reparasjon
skal dekkes av garantien. Garmin vil ikke erstatte
manglende komponenter fra en pakke som er kjøpt
via en auksjon på Internett.

Internasjonale kjøp: En separat garanti kan gis av
internasjonale distributører for enheter som er kjøpt
utenfor USA, avhengig av landet. Hvis det er aktuelt,
gis denne garantien av den lokale distributøren, og
denne distributøren utfører lokal service på enheten.
Distributørgarantier er bare gyldige i området for
tiltenkt distribusjon. Enheter som er kjøpt i USA eller
Canada, må returneres til Garmin-servicesenteret i
Storbritannia, USA, Canada eller Taiwan for service.

Kjøp i Australia: Varene leveres med garantier
som ikke kan ekskluderes under den australske
forbrukerkjøpsloven. Du har rett til å få enheten
byttet ut eller erstattet ved alvorlige feil eller som
kompensasjon ved tap eller annen skade innen
rimelighetens grenser. Du har også rett til å få varen
reparert eller erstattet dersom varen ikke er av
akseptabel kvalitet og feilen ikke utgjør en alvorlig
feil. Fordelene underlagt den begrensede garantien
kommer i tillegg til andre rettigheter og rettsmidler
under aktuell lov i sammenheng med produktene.

Garmin Australasia

Unit 19, 167 Prospect Highway

Seven Hills, NSW, Australia, 2147

Telefon: 1800 822 235

**Garmins garantiretningslinjer for maritime
produkter:** Enkelte maritime Garmin-produkter
i enkelte områder har lengre garantiperiode og
ytterligere vilkår og betingelser. Gå til www.garmin.com/support/warranty.html hvis du vil ha
mer informasjon, og for å se om produktet ditt er
dekket av Garmins garantiretningslinjer for maritime
produkter.

Installationsinstruksjoner for GPS 19x NMEA 0183

⚠ VARNING

Använd alltid skyddsglasögon, hörselskydd och
andningsskydd när du borrar, skär eller slipar.

MEDELLENDE

Kontrollera alltid vad som finns bakom ytan som du
ska borra eller skära i.

Garmins högkänsliga GPS-antenn 19x NMEA 0183
HVS ger positionsinformation via NMEA 0183. GPS

19x NMEA 0183 HVS kan anslutas till en Garmin-
plotter eller en annan NMEA 0183-kompatibel enhet.
Antennen måste installeras i enlighet med dessa
instruktioner. Du behöver de fästen och verktyg som
anges i varje avsnitt. De här delarna finns hos de
flesta återförsäljare av marina produkter.

OBS! När du ansluter den här antennen till en enhet
i GPSMAP 2000-, 3000-, 4000-, eller 5000-serien
måste du begränsa uppdateringsfrekvensen
(se [sidan 47](#)). Om uppdateringsfrekvensen inte
begränsas kan det hända att plottern inte tar emot
och visar GPS-signalen som den ska.

Registrera enheten

- Gå till <http://my.garmin.com>.
- Spara inköpskvittot, i original eller kopia, på ett
säkert ställe.

Skriv in serienumret som står på din antenn i det
avsedda utrymmet, för framtida referens. Det står på
en etikett på baksidan av antennen.

Serienummer

Kontakta Garmins produktsupport

- Gå till www.garmin.com/support och
klicka på **Contact Support** för att få lokal
supportinformation.
- I USA ringer du (913) 397 8200 eller (800)
800 1020.
- I Storbritannien ringer du 0808 2380000.
- I Europa ringer du +44 (0) 870 8501241.

Verktyg som behövs

- Borrmaskin
- 3,2 mm ($1/8$ tum) borr
- 19 mm ($3/4$ tum) borr för kabelhål för
mastmontering
- 25 mm (1 tum) hålsåg för kabelhål för
ytmontering
- Skruvmejsel, som är lämplig för skruvtypen
- Försänkare för montering på glasfiber
- Marint tätningssmedel för vissa
monteringsalternativ
- Lödmetall och krympslang
 - Behövs för alla kabelanslutningar
 - Behövs speciellt när du begränsar antennen
till 1 Hz ([sidan 47](#))

Tillbehör

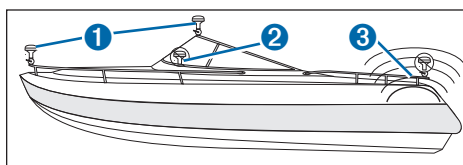
- Skruvar, för montering under däck

Monteringstyp och platsavvägningar

Du kan montera antennen på en plan yta, ansluta
den till en 25 mm (1 tums) OD, 14 gånger per tum,
rörgängad mast (medföljer ej) eller installera den
under glasfiber.

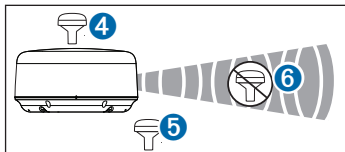
För optimal prestanda bör du tänka på följande
riktlinjer när du väljer monteringsplats för antennen.

- Antennen måste monteras 150 mm (5,9 tum) från
en kompass för att undvika störningar.
- För bästa mottagning bör antennen monteras på
en plats med obehindrad sikt av himlen i alla
riktningar ①.

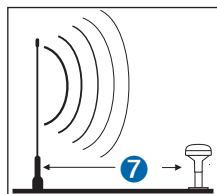


- Antennen bör inte monteras där den skuggas av
båtens yttre struktur ②, en radomantenn eller
masten.

- Antennen bör inte monteras i närheten av motorn eller andra källor till elektromagnetisk strålning (EMI) ③.
- Om en radar finns är det bäst att installera antennen ovanför radarns väg ④. Det fungerar även att installera den under radarns väg ⑤ om det är nödvändigt. Antennen bör inte installeras direkt i radarns väg ⑥.



- Antennen bör monteras minst 1 meter (3 fot) bort från (helst över) radarstrålens väg eller en VHF-radioantenn ⑦.



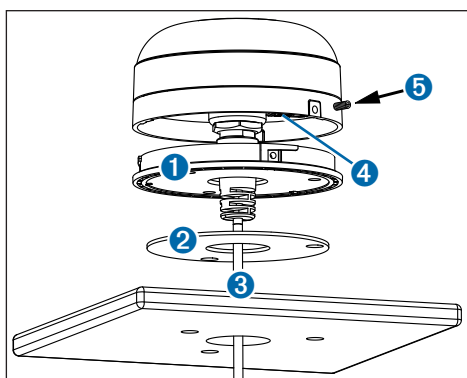
- För att på en segelbåt undvika felaktiga hastighetsavläsningar orsakade av kraftiga krängningar bör du inte montera antennen högt upp på masten.
- Antennen ger mest stabila avläsningar när den sitter nära vattennivån.

Testa monteringsplatsen

- 1 Sätt fast antennen tillfälligt på önskad monteringsplats och testa att den fungerar som den ska.
- 2 Om du upplever störningar med annan elektronik flyttar du antennen till en annan plats och testar den igen.
- 3 Upprepa steg 1–2 tills du säkert vet att antennen fungerar korrekt.
- 4 Montera antennen permanent.

Ytmontera antennen

Innan du monterar antennen permanent testas du att monteringsplatsen fungerar som den ska (sidan 45). Använd ytmonteringsfästet ① som monteringsmall.



- 1 Använd en penna för att markera de tre skruvplatserna och för att leta upp kabelhålet i mitten av fästet.
- 2 Ställ undan ytmonteringsfästet. Borra inte genom ytmonteringsfästet.
- 3 Borra de tre rikhålen på 3,2 mm ($1/8$ tum).
OBS! Om du monterar GPS 19x på glasfiber bör du använda en försänkare för att borra en försänkning genom det övre gelcoat-lagret (men inte djupare). På så sätt undviker du sprickor i gelcoat-lagret när skruvarna dras åt.

- 4 Använd en borrar eller hålsåg på 25 mm (1 tum) för att borra kabelhålet.
- 5 Placera tätningsplattan ② längst ned på ytmonteringsfästet och passa in skruvhålen.
- 6 Med hjälp av de medföljande M4-skruvarna ansluter du ytmonteringsfästet på monteringsytan.
- 7 Led kabeln ③ genom hålet på 25 mm (1 tum) och anslut den till antennen.
- 8 Kontrollera att den stora packningen ④ är på plats längst ned på antennen. Placera antennen på ytmonteringsfästet och vrid den medurs tills den låses fast.
- 9 Sätt fast antennen på monteringsfästet med den medföljande M3-inställda skruven ⑤.
- 10 Led kabeln bort från källor till elektroniska störningar. Anslut den till en strömkälla och en NMEA 0183-kompatibel enhet (sidan 47).

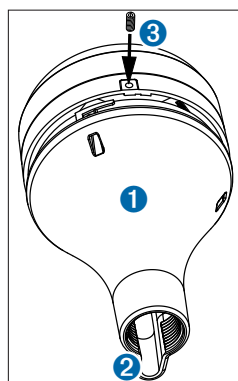
Montera antennen på en mast

Med den medföljande adaptorn för mastmontering som sitter fast på antennen kan du installera den på en standardmast med raka gängor, 14 gånger per tum, och en ytterdiameter på 25 mm (1 tum) (ingår inte). Du kan leda kabeln på utsidan av masten eller genom masten.

Innan du monterar antennen permanent testas du att monteringsplatsen fungerar som den ska (sidan 45).

Montera antennen med kabeln dragen på utsidan av masten

- 1 Led kabeln genom mastfästesadaptorn ① och placera kabeln i det lodräta spåret ② tillsammans med basen på mastfästesadaptorn.

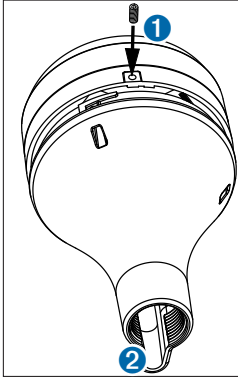


- 2 Skruva fast den mastmonterade adaptorn på en standardmast med raka gängor, 14 gånger per tum, och en ytterdiameter på 25 mm (1 tum) (ingår inte).
Drag inte åt adaptorn för hårt på masten.
- 3 Anslut kabeln till antennen.
- 4 Placera antennen på mastfästesadaptorn och vrid den medurs tills den låses fast.
- 5 Sätt fast antennen på adaptorn med den medföljande M3-inställda skruven ③.
- 6 När antennen monterats på mastfästet fyller du i det återstående mellanrummet i det lodräta kabelspåret med ett marint tätningsmedel (tillval).
- 7 Fäst masten på båten om det inte redan är gjort.
- 8 Led kabeln bort från källor till elektroniska störningar. Anslut den till en strömkälla och en NMEA 0183-kompatibel enhet (sidan 47).

Montera antennen med kabeln dragen genom masten

- 1 Positionera en standardmast med raka gängor, 14 gånger per tum, och en ytterdiameter på 25 mm (1 tum) (ingår inte) på vald plats och märk ut mastens ungefärliga mitt.
- 2 Borra ett hål med en 19 mm ($3/4$ tum) borrar för kabelns genomföring.

- 3 Sätt fast masten på båten.
- 4 Trä mastfästesadaptren på masten.
Dra inte åt adaptren för hårt.
- 5 Led kabeln genom masten och anslut den till antennen.
- 6 Placera antennen på mastfästesadaptren och vrid den medurs tills den låses fast.
- 7 Sätt fast antennen på adaptren med den medföljande M3-inställda skruven ①.



- 8 När antennen monterats på mastfästet fyller du det lodräta kabelspåret ② med ett marint tätningmedel (tillval).
- 9 Led kabeln bort från källor till elektroniska störningar. Anslut den till en strömkälla och en NMEA 0183-kompatibel enhet (sidan 47).

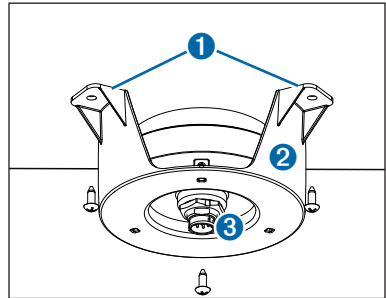
Montera antennen under en yta

MEDELLENDE

Innan du fäster monteringsfästet under däck kontrollerar du att de medföljande skruvarna inte går igenom ytan. Om de medföljande skruvarna är för långa måste du köpa skruvar som passar för att slutföra monteringen.

Eftersom antennen inte kan hämta signaler genom metall kan den bara monteras under en glasfiberyta.

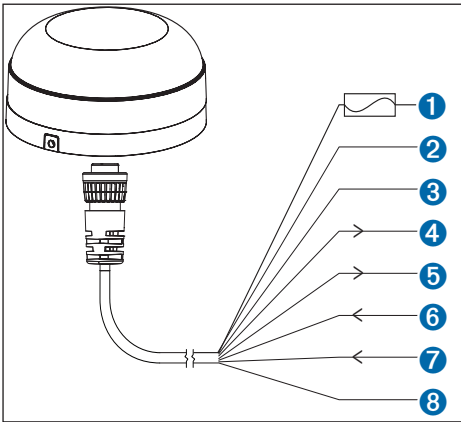
- 1 Bestäm och testa platsen under en glasfiberyta där du vill att montera antennen (sidan 45).



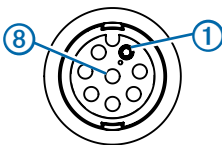
- 2 Placera de självhäftande plattorna ① på monteringsfästet under däck ②.
- 3 Placera antennen i monteringsfästet under däck.
- 4 Fäst monteringsfästet under däck på monteringsytan.
- 5 Fäst monteringsfästet under däck på monteringsytan med skruvar.
- 6 Anslut kabeln till antennen ③.
- 7 Led kabeln bort från källor till elektroniska störningar. Anslut den till en strömkälla och en NMEA 0183-kompatibel enhet (sidan 47).

Ansluta antennen till en strömkälla och till en NMEA 0183-kompatibel enhet

Antennen måste anslutas till en strömkälla och till en NMEA 0183-kompatibel enhet. Ta diagrammen till hjälp när du kabelansluter antennen. Du kan ansluta upp till tre NMEA 0183-kompatibla enheter som kan ta emot data från en antenn.



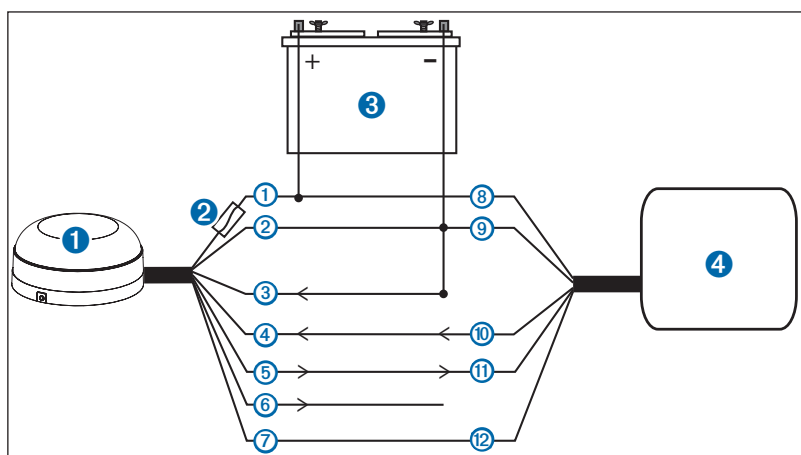
Ledning	Färg	Funktion	Stift
①	Röd	Ström (+) (1A-säkring)	3
②	Svart	Jord (-)	2
③	Orange	Tillbehör på	4
④	Grå	Tx A(+)	6
⑤	Vit/röd	Tx B(-)	5
⑥	Vit	Rx A(+)	1
⑦	Vit/orange	Rx B(-)	7
⑧	Lila	Puls per sekund (PPS)	8



①	Stift 1
⑧	Stift 8

Exempel

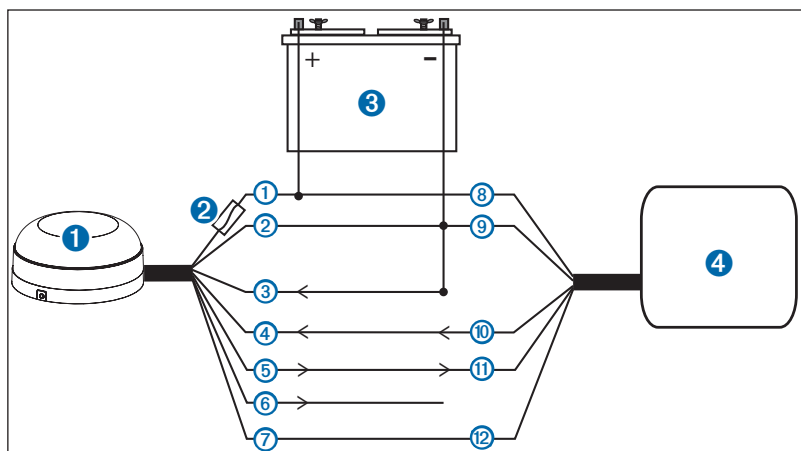
Ansluta antennen till en Garmin-plotter



Objekt	Beskrivning
①	GPS 19x-antenn
②	1 A-säkring
③	Batteri för 12 V DC
④	Garmin NMEA 0183-kompatibel plotter

Antennkabel	Färg	Plotterkabel	Färg
①	Röd	⑧	Röd
②	Svart	⑨	Svart
③	Vit/orange (jord)		
④	Vit	⑩	Grön
⑤	Grå	⑪	Grön/vit
⑥	Vit/röd (frånkopplad)		
⑦	Orange	⑫	Orange

Ansluta antennen till en NMEA 0183-kompatibel enhet för tvåvägskommunikation



Objekt	Beskrivning
①	GPS 19x-antenn
②	1 A-säkring
③	Batteri för 12 V DC
④	Garmin NMEA 0183-kompatibel plotter

Antennkabel	Färg	NMEA 0183-enhetskabel	Funktion
①	Röd	⑧	Ström (+)
②	Svart	⑨	Jord (-)
③	Orange	⑩	Tillbehör PÅ
④	Grå	⑪	Rx A (+)
⑤	Vit/röd	⑫	Rx B (-)
⑥	Vit	⑬	Tx A (+)
⑦	Vit/orange	⑭	Tx B (-)

Undantag vid NMEA 0183-koppling

⚠ VARNING

Den orangefärgade (tillbehör PÅ) kabeln används för anslutning mellan antennen och en Garmin-plotter eller annan NMEA 0183-enhet med definierad extra signalkabel. Om du ansluter antennen till en enhet som inte har en extra signalkabel ska den orangefärgade kabeln från antennen jordanslutas.

Om du ansluter antennen till en enhet som inte har en extra signalkabel (tillbehör PÅ) ansluter du strömkabeln för antennen till tändningen eller

installera en kabelmonterad switch. Antennen laddar ur båt-batteriet om den inte switchas.

- Om den NMEA 0183-kompatibla enheten bara har en mottagningsladd (Rx) ansluter du den till den gråa sladden (Tx/A) från antennen, och lämnar den vita/röda sladden (Tx/B) från antennen oansluten.
- Om den NMEA 0183-kompatibla enheten bara har en sändningsladd (Tx) ansluter du den till den vita sladden (Rx/A) från antennen och ansluter den vita/orange sladden (Rx/B) från antennen till jord.

Begränsa antennens uppdateringsfrekvens

Som standard sänder antennen ut uppdateringar av positionsdata 10 gånger per sekund med en seriell kommunikationshastighet på 38 400 bitar/s. Genom att installera den medföljande resistorkabeln kan antennen begränsas till att sända ut positionsuppdateringar en gång per sekund med en seriell kommunikationshastighet på 4 800 bitar/s.

- 1 Montera antennen enligt dessa instruktioner (sidan 45).
- 2 Om det behövs klipper du av kabeln till lämplig längd för installationen.
- 3 Löd den medföljande kabeln för hastighetsändring i linje med den orange färgade tillbehör PÅ-kabeln.
- 4 Använd krympslang runt lödanslutningarna.
- 5 Om du inte redan anslutit antennen ansluter du ström- och datakablarna (sidan 47).

Plotterns programvara

Om du vill kontrollera kompatibiliteten med antennen uppgraderar du Garmin-plottern med den senaste programvaran. Mer information finns på www.garmin.com/support.

Skötselinformation

Höljet är tillverkat av material av hög kvalitet och kräver inget underhåll förutom rengöring.

Rengöra höljet

Rengör ytterhöljet på enheten med en fuktig trasa med mildt rengöringsmedel och torka den torr.

Undvik kemiska rengörings- och lösningsmedel som kan skada plastkomponenter.

Specifikationer

Mått (diameter × höjd)	91,6 mm × 49,5 mm (3 ^{19/32} tum × 1 ^{15/16} tum)
Vikt	201 g (7,1 ounce)
Kabellängd	9,14 meter (30 fot)
Temperaturområde	-30 till 80 °C (-22 till 176 °F)
Material i höljet	Helt tätad, stöttålig plastlegering, vattentät enligt IEC 60529 IPX7-normer
Säkerhetsavstånd till kompass	150 mm (5,9 tum)
Strömkälla in	8–33 V likström, oreglerat
Inström	40 mA vid 12 V likström

Viktig säkerhets- och produktinformation



VARNING

Din GPS-enhet kan för olika syften som t.ex. realtidsklocka, ha ett internt batteri som inte går att byta ut av användaren.

Försök inte ta bort ett batteri som inte går att byta ut av användaren.

När du ska kassera enheten tar du den till en professionell anläggning, t.ex. ett elektronikåtervinningsföretag för att få hjälp med att ta bort och återvinna batteriet.

Nedsänkning i vatten

Enheten är vattentät enligt IEC-standard 60529 IPX7. Den tål att vara nedsänkt i vatten på 1 meters djup i 30 minuter. Längre tider kan leda till att enheten skadas. Efter nedsänkning måste du torka rent enheten och sedan blåsa den torr innan du använder den.

Överensstämmelseförklaring

Härmed intygar Garmin att den här produkten uppfyller de grundläggande kraven och andra tillämpliga föreskrifter i direktiv 1999/5/EG.

Överensstämmelseförklaringen i sin helhet finns på www.garmin.com/compliance.

Programlicensavtal

GENOM ATT ANVÄNDA ENHETEN GÅR DU MED PÅ ATT VARA BUNDEN AV VILLKOREN I FÖLJANDE PROGRAMVARULICENSAVTAL. DU BÖR LÄSA IGENOM DET HÄR AVTALET NOGGRANT.

Garmin ger dig en begränsad licens för användning av den programvara som är inbäddad i enheten ("Programvaran") i binär körbar form för normal drift av produkten. Äganderätten och de intellektuella immateriella rättigheterna i och för Programvaran tillhör Garmin.

Du accepterar att Programvaran tillhör Garmin och är skyddad enligt de copyrightlagar som gäller i USA samt enligt internationella copyrightöverenskommelser. Du bekräftar vidare att strukturen på, organisationen av och koden för Programvaran är värdefulla företagshemligheter som tillhör Garmin och att källkoden för Programvaran är en värdefull affärshemlighet som tillhör Garmin. Du intygar att du inte kommer att dekompile, demontera, ändra eller bakåtkompilera Programvaran eller någon del av den eller på något annat sätt göra om Programvaran eller någon del av den till läsbar form eller skapa något arbete som bygger på Programvaran. Du intygar också att du inte kommer att exportera eller omexportera Programvaran till något land i strid med de exportkontrolllagar som gäller i USA.

Begränsad garanti

Den här Garmin-produkten garanteras vara fri från defekter i material och utförande i ett år från inköpsdatumet. Under denna tid kommer Garmin efter eget gottfinnande att reparera eller ersätta komponenter som inte fungerar under normal användning. Sådana reparationer eller ersättningar görs utan någon avgift för kunden vad gäller delar eller arbete, förutsatt att kunden står för alla transportkostnader. Den här garantin gäller inte för: (i) kosmetiska skador, t.ex. repor, hack och bulor, (ii) förbrukningsdelar, t.ex. batterier, såvida inte produktskadan uppstått p.g.a. defekter i material eller arbete, (iii) skada orsakad av olycka, missbruk, vatten, översvämning, brand eller andra naturhändelser eller yttre orsaker, (iv) skada orsakad av service utförd av någon som inte är behörig serviceleverantör åt Garmin eller (v) skada på en produkt som har modifierats eller ändrats utan skriftligt tillstånd från Garmin. Garmin förbehåller sig dessutom rätten att avslå garantianspråk avseende produkter eller tjänster som anskaffats och/eller använts på något sätt som strider mot något lands lagar.

Denna produkt är endast avsedd att användas som hjälp vid resa och får inte användas till något ändamål som kräver exakt mätning av riktning, distans, plats eller topografi. Garmin garanterar inte exakthet eller fullständighet för kartdata i denna produkt.

GARANTIERN OCH GOTTGÖRELSENA SOM ANGES HÄR GÄLLER MED ENSAMRÄTT OCH I STÄLLET FÖR ALLA ANDRA GARANTIER, UTTRYCKLIGA, UNDERFÖRSTÅDDA ELLER LAGSTIFTADE, INKLUSIVE ALL ANSVARSSKYLDIGHET SOM HÄRRÖR FRÅN NÅGON GARANTI OM SÄLJBARHET ELLER LÄMPLIGHET FÖR ETT VISST ÄNDAMÅL, LAGSTIFTAD ELLER ANNAN. DENNA GARANTI GER DIG SPECIFIKA LAGLIGA RÄTTIGHETER SOM KAN VARIERA FRÅN STAT TILL STAT. UNDER INGA OMSTÄNDIGHETER SKA GARMIN VARA ANSVARSSKYLDIGT FÖR NÅGRA TILLFÄLLIGA, SPECIELLA, INDIREKTA SKADOR ELLER FÖLJDSKADOR, INKLUSIVE, UTAN

BEGRÄNSNING, SKADOR FÖR TRAFIKBÖTER ELLER STÄMNINGAR, OAVSETT OM DE ORSAKAS AV ANVÄNDNING, MISSBRUK ELLER OFÖRMÅGA ATT ANVÄNDA PRODUKTEN ELLER AV DEFEKTER I PRODUKTEN. VISSA STATER TILLÅTER INTE BEGRÄNSNING AV TILLFÄLLIGA SKADOR ELLER FÖLJDSKADOR, SÅ OVANSTÅENDE BEGRÄNSNINGAR KANSKE INTE GÄLLER DIG.

Garmin har efter eget gottfinnande ensamrätt att reparera eller ersätta (med en ny eller nyrenoverad ersättningsprodukt) enheten eller programvaran eller erbjuda full återbetalning av inköpspriset. DENNA KOMPENSATION ÄR DIN ENDA KOMPENSATION FÖR EN ÖVERTRÄDELSE AV GARANTIN.

Erhåll garantiservice genom att kontakta din lokala, Garmin-auktoriserade återförsäljare eller ring till Garmin Produktsupport för anvisningar angående frakt och ett RMA-nummer. Förpacka enheten noga med en kopia av originalkvittot. Kvittot krävs som inköpsbevis för garantireparationer. Skriv RMA-numret tydligt på paketets utsida. Skicka enheten med frakten betald till valfritt Garmin garantiserviceställe.

Inköp via online-auktion: Produkter som köps genom onlineauktioner täcks inte av garantin. Bekräftelse på online-auktion godkänns inte som garantiverifikation. Om du vill ha garantiservice måste du ha det ursprungliga inköpskvittot, eller en kopia av den, från ursprungsåterförsäljaren. Garmin ersätter inte saknade komponenter från en förpackning som köpts via en online-auktion.

Internationella inköp: En separat garanti kan tillhandahållas av internationella distributörer för enheter som köpts utanför USA, beroende på land. Om tillämpligt tillhandahålls denna garanti av den lokala, inhemska distributören och denna distributör tillhandahåller service lokalt för din enhet. Distributörsgarantier är endast giltiga i det avsedda distributionsområdet. Enheter som inköpts i USA eller Kanada måste returneras till Garmins servicecenter i Storbritannien, USA, Kanada eller Taiwan för service.

Köp i Australien: Våra varor levereras med garantier som inte kan undantas enligt den australiska konsumentlagen (Australian Consumer Law). Du har rätt till byte eller återbetalning för ett större fel och till kompensation för annan rimligtvis förutsebar förlust eller skada. Du har också rätt att få varan reparerad eller utbytt om varan inte är av godtagbar kvalitet och felet inte uppgår till ett större fel. Fördelarna i vår begränsade garanti gäller utöver övriga rättigheter och gottgörelser under gällande lagar med hänsyn till produkterna.

Garmin Australasia
Unit 19, 167 Prospect Highway
Seven Hills, NSW, Australien, 2147
Telefon: 1800 822 235

Garantipolicy för Garmins marina produkter:

En del av Garmins marina produkter inom vissa områden har en längre garantiperiod och extra villkor. Gå till www.garmin.com/support/warranty.html för mer information och för att se om din produkt omfattas av garantipolicyn för Garmins marina produkter.

© 2012 Garmin Ltd. or its subsidiaries

All rights reserved. Under the copyright laws, this manual may not be copied, in whole or in part, without the written consent of Garmin. Garmin reserves the right to change or improve its products and to make changes in the content of this manual without obligation to notify any person or organization of such changes or improvements. Go to www.garmin.com for current updates and supplemental information concerning the use of this product.

Garmin® and the Garmin logo are trademarks of Garmin Ltd. or its subsidiaries, registered in the USA and other countries. These trademarks may not be used without the express permission of Garmin.



For the latest free software updates (excluding map data) throughout the life of your Garmin products, visit the Garmin Web site at www.garmin.com.



© 2012 Garmin Ltd. or its subsidiaries

Garmin International, Inc.
1200 East 151st Street, Olathe, Kansas 66062, USA

Garmin (Europe) Ltd.
Liberty House, Hounsdown Business Park, Southampton, Hampshire, SO40 9LR UK

Garmin Corporation
No. 68, Zhangshu 2nd Road, Xizhi Dist., New Taipei City, 221, Taiwan (R.O.C.)

www.garmin.com