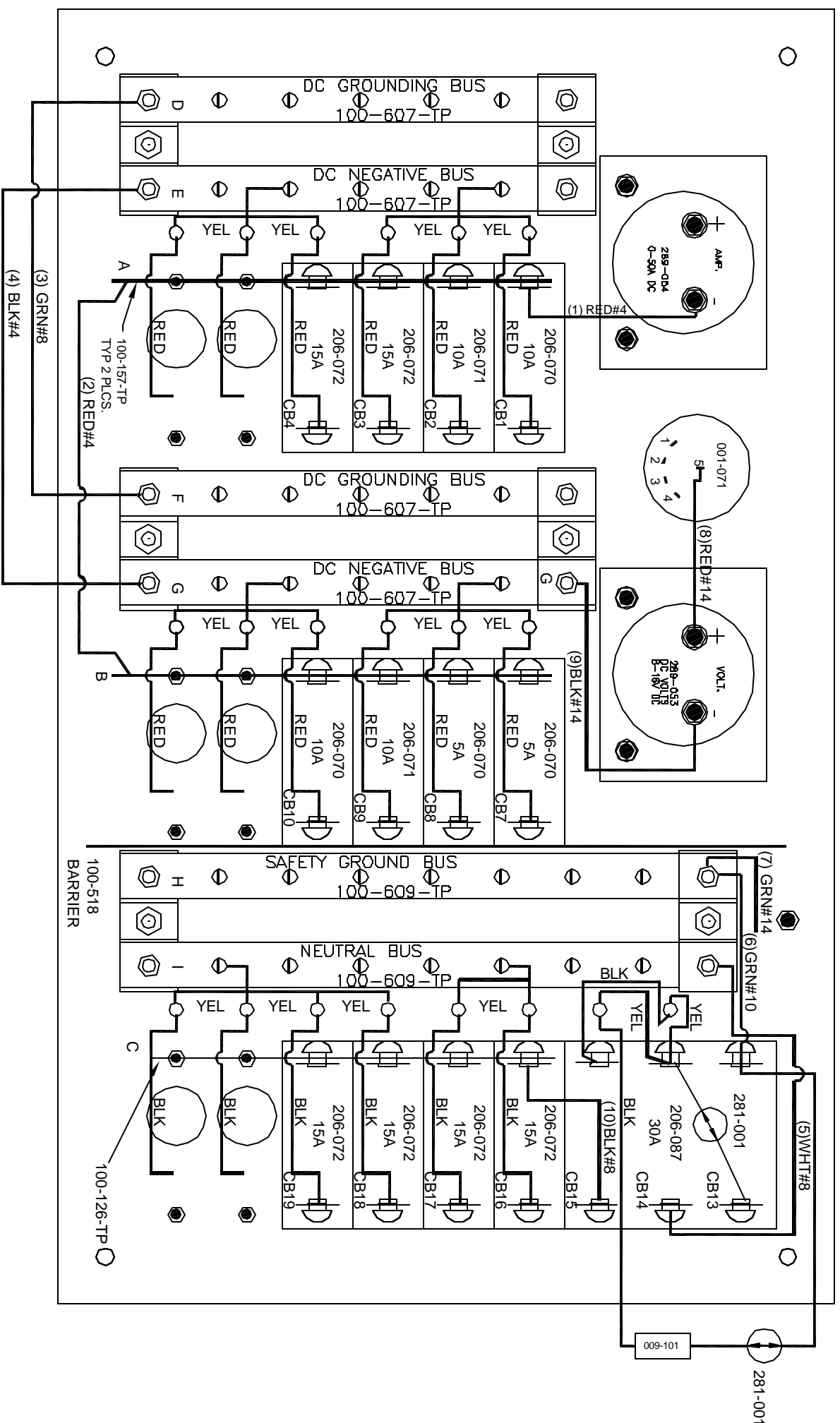


REV	DESCRIPTION	DATE	ENR
1	FIX WIRES & REAR VIEW	08/22/02	2002406
2	CHANGED FROM BRASS TO TIN PLATED PARTS 1/19/04	2004013	



EXCLUSIVE PROPERTY OF PANELTRONICS, INC.
 INFORMATION IN THIS DOCUMENT DISCLOSES
 INFORMATION WHICH PANELTRONICS INCORPORATED
 HAS PROPRIETARY RIGHTS

PANELTRONICS INCORPORATED
 Paneltronics, Inc.
 11980 N.W. 87th Court
 Hialeah Gardens, FL 33018

**12V DC & 120V AC
 REAR VIEW**

Drawn By: NA	Date: 11/09/00	Sheet: 2 of 2	Scale: 1:1	Drawn Part #: 9973410	Rev: 2
Checked By: TG	Date: 08/22/02				
Series/Model:	Rev:				