

DATA SHEET

This information may not, in whole or in part, be copied, photocopied, reproduced, translated or reduced to any electronic medium or machine-readable form without the prior written consent of Hatteland Display AS. The products may not be copied or duplicated in any way.

HATTELAND DISPLAY

Manufacturer: **Hatteland Display AS**
 Product: **8.0 inch Standard Display (STD)**
 Type: **HD 08T21 STD-xxx-Fxxx**

Last Revised: **07 Mar 2013**
 Revision#: **10**

8.0 inch Standard Display (STD) - Series X

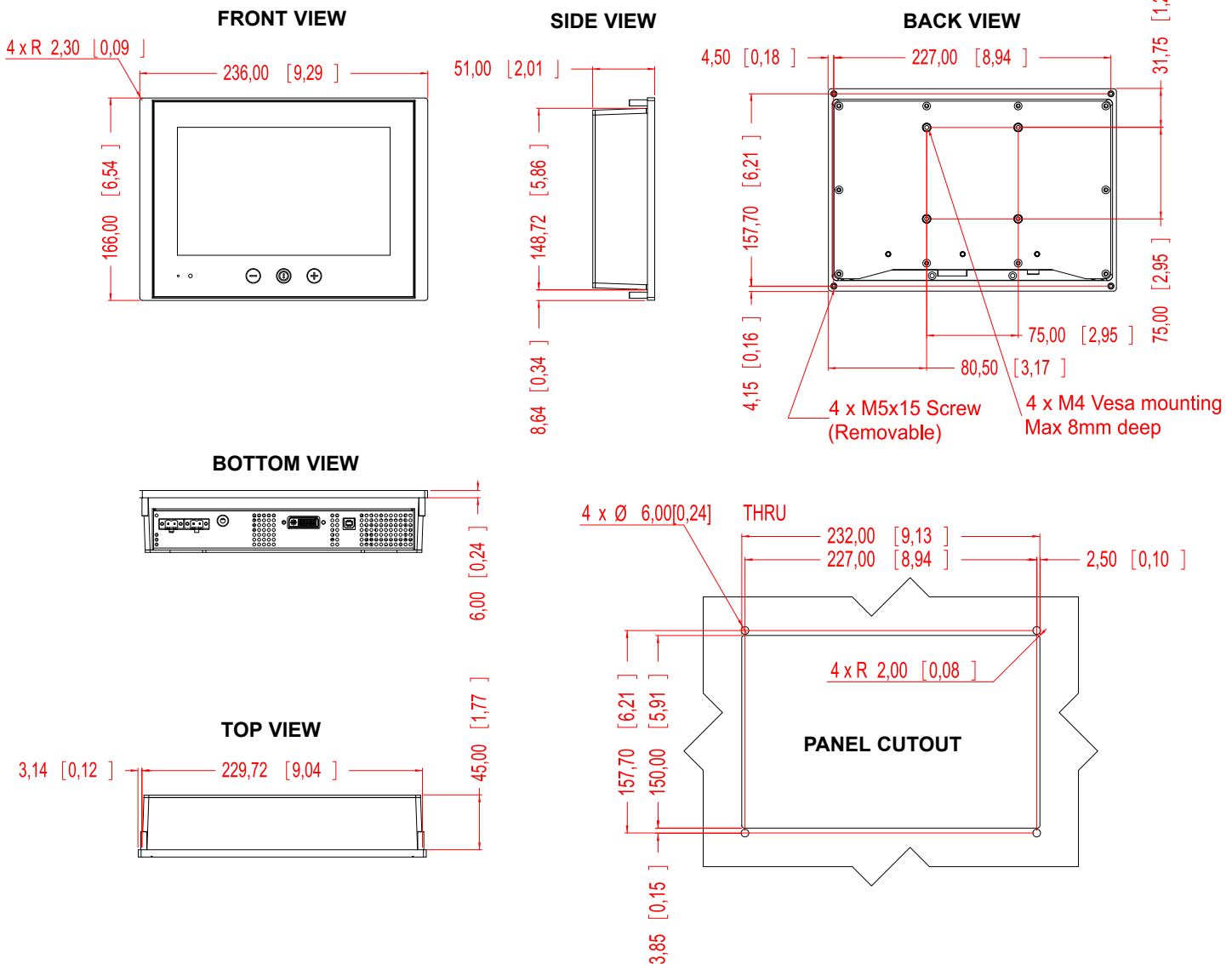
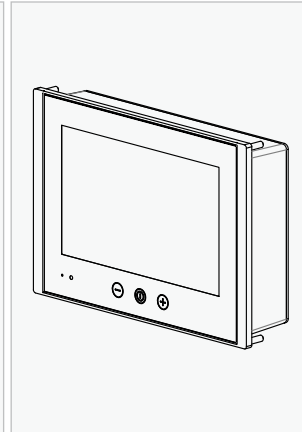
Features:

Series X Displays and Panel Computers offer the ultimate in performance, convenience, state of the art design and enduring quality for system integrators and boat builders. Series X products offer a range of feature sets optimized for varying requirements and applications.

The Series X display range is a flexible monitor solution designed and type approved for the professional maritime segment, where reliability and long life time are key pre-requisites for the industry. The product range combines stunning design and technology with innovative features and options, making it all that the integrator needs for top class type-approved marine systems.

The entry level STD models provide a wide choice of display size and format for shipboard applications where simple data input (RGB & DVI) is required. Be it for ship navigation or automation, this range with all it's possible options provides a robust and cost effective platform from which to display and manage data.

This model is delivered with a factory mounted Projected Capacitive Touch Screen (Multitouch, USB interface) as standard and feature LED Backlight Technology.



Dimensions might be shown with or without decimals and indicated as mm [inches]. Tolerance on drawings is +/- 1mm. For accurate measurements, check relevant DWG file.

