

Technical Data — LLB-216C-01-00

SIDE PIN, COOL WHITE, 8-30V, 6 LED

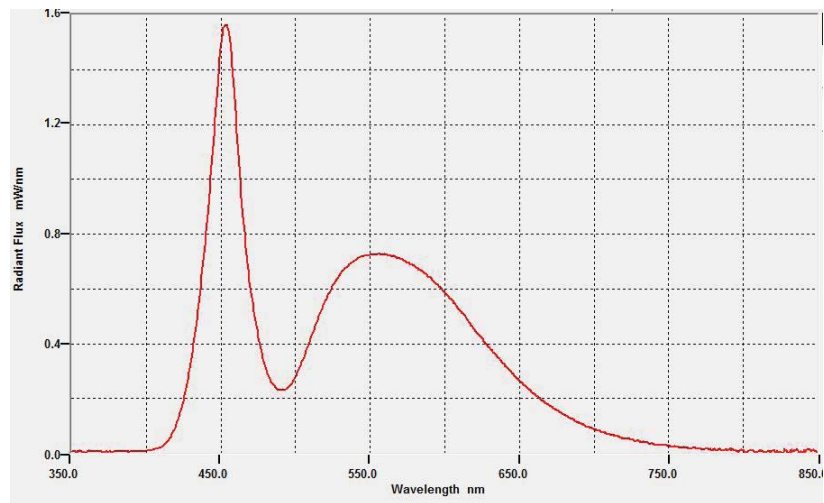
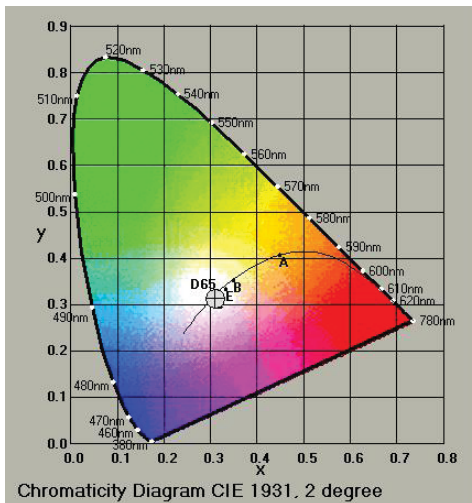


Advantage

- ◆ Low Power
- ◆ Solid State Reliability
- ◆ High Intensity, Superior Lumen Maintenance
- ◆ Excellent Viewing Angle: 120 degree
- ◆ Input Voltage: 8-30VDC / AC
- ◆ No UV, Superior ESD Protection
- ◆ MTBF 40,000 hours
- ◆ Application: Marine, Auto, Home

Specification

Voltage	Current (ma)	Output (lumens)	Kelvin	Purity	CRI
9	115	40	6853	38	78.7
10	155	54	7009	38	78.9
11	145	54	7051	39	79.3
12	130	53	7077	39	79.2
13	115	51	7078	39	79.3
14	100	48	7089	39	79.4
15	90	46	7087	39	79.4
16	80	44	7087	39	79.3



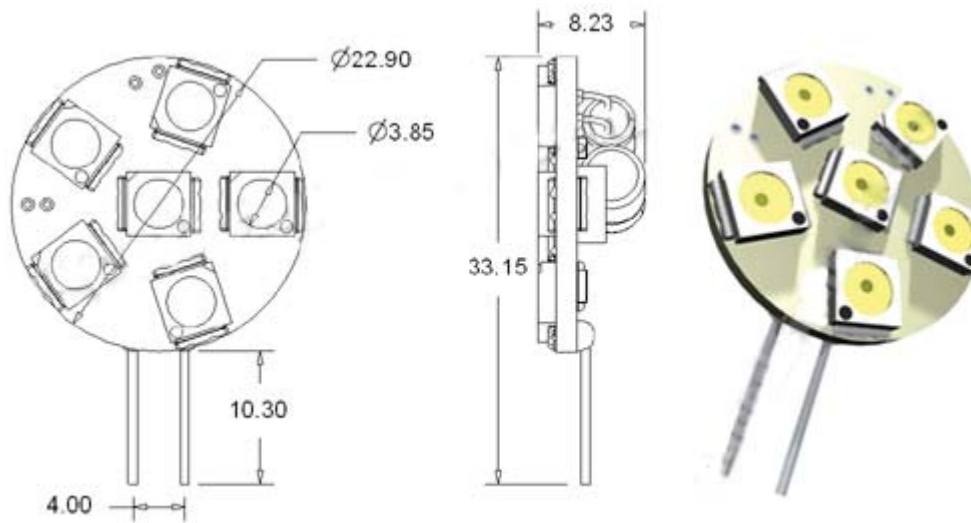
White LED Note: Correlated Color Temperature measured in Kelvin, higher number indicates blue/purple tint (similar to HID lamps), standard incandescent bulbs are aprox. 3000K



9619 W. Yulee Drive, Homosassa, FL 34448
352-417-0009 Fax 352-621-5212
www.lunasea.com

All systems are certified by our calibration laboratory team with extensive experience in performing application specific calibrations, all of which are traceable to the National Institute of Standards and Technologies, NIST.

Dimensions



Dimensions

Lunasea Part #	Description	Base Type	Base Description	Number Circuits	Led Light Type	Number Leds	Size
LLB-216X-0100	Side Pin 6smd		G4			6	23mm x 8mm

Environment

Operating Temperature Range: -30°C to +80°C --- Storage Temperature Range: -40°C to +90°C --- Up to 50,000 hour life span
Rugged Buck Driven Power Supply withstands High Power Radio and Email transmissions signals and will not be damaged.



9619 W. Yulee Drive, Homosassa, FL 34448
352-417-0009 Fax 352-621-5212
www.lunasea.com