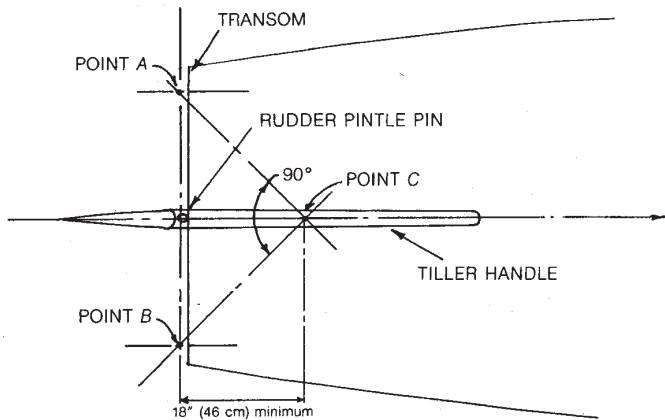


INSTALLATION INSTRUCTIONS

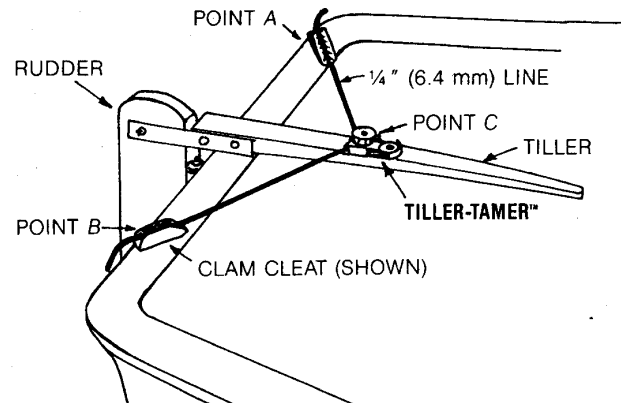
Read instructions through before proceeding. Tiller-Tamer™ may be mounted on top or bottom of tiller.

FOR BOATS with OUTBOARD RUDDERS

1. Position tiller exactly amidships.
2. Estimate a right triangle, as shown below, between point A, B and C on the transom and tiller handle. Mark point C on the tiller handle. Allow at least 18" (46 cm) between point C and rudder pivot point.



3. Assemble the Tiller-Tamer unit to the tiller handle by positioning the knob over point C. Attach with two wood screws provided. Release the knob and thread the 1/4" (6.4 mm) line through as shown below.



4. Attach a cleat at points A and B. This may be a clam cleat or any other quick releasing device. CL201 is recommended, as shown above.

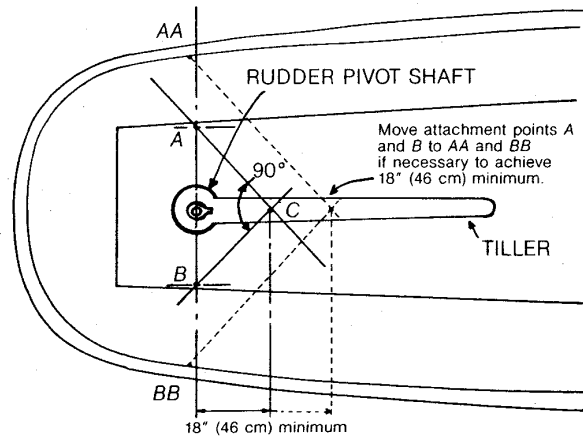
Clam cleats with fairleads (CL203 or CL211) may be attached to the vertical wall of the transom or cockpit, if desired, as shown at right.



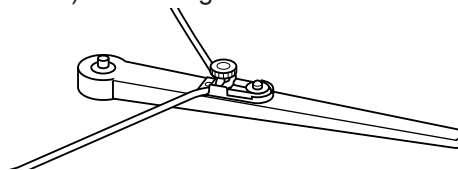
5. Attach one end of 1/4" (6.4 mm) line. With tiller amidships, loosen clamp knob on Tiller-Tamer. Pull line through to tension and attach to second clam cleat.

FOR BOATS with INBOARD TILLERS

1. Determine if Tiller-Tamer is best mounted on top or bottom of tiller handle.
2. Estimate a right triangle, as shown below, between point A, B and C on the cockpit walls and tiller handle. Mark point C on the tiller handle. Allow at least 18" (46 cm) between point C and rudder pivot point.



3. Assemble the Tiller-Tamer unit to the tiller handle by positioning the knob over point C. Attach with two wood screws provided. Release the knob and thread the 1/4" (6.4 mm) line through as shown below.



4. Use points A and B as cleat locations. Install clam cleats with fairleads (CL203 or CL211) as shown at right. Attach line at cleats as shown below.

