

FCF Air Conditioning

Feel Cool Fast with Webasto.



The quietest and most versatile A/C system on the market.

FCF innovation starts with a more balanced system for noise elimination. The compressor has been carefully mounted to greatly reduce unwanted vibration and noises that can transfer into the cabin interrupting your sleep. Unlike competitive systems, FCF stands for quality. Including a long-lasting, baked-on enamel finish, a robust blower that can handle multiple vents and FCF is the only A/C system that comes standard with a digital control panel.

FCF 24,000





FCF 5,000



FCF 9,000



FCF 12,000



FCF 16,000

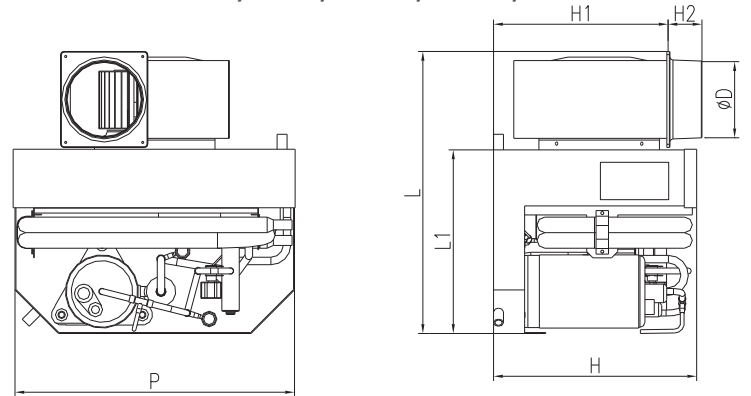
A/C Specifications

Product	Part Number	Voltage	Frequency	Average Load	Capacity	Suggested Supply Air	Suggested Return Air	Net Weight	Blower Output	Ducting Collar (Diameter)	Condenser Connector (Diameter)
FCF 5,000	FCF0005000GS FCF0005023G	115V 230V	60 Hz 50/60 Hz	4.4 A 2.2 A	5,000 Btu / (1.5 kW)	16 in ² / (103.2 cm ²)	49 in ² / (316 cm ²)	50 lbs / (23 kg)	282 cfm / (479 m ³ /h)	4 in / (102 mm)	0.625 in / (16 mm)
FCF 9,000	FCF0009000GS FCF0009023G	115V 230V	60 Hz 50/60 Hz	6.4 A 3.2 A	9,000 Btu / (2.6 kW)	16 in ² / (103.2 cm ²)	64 in ² / (413 cm ²)	57 lbs / (26 kg)	344 cfm / (584 m ³ /h)	4 in / (102 mm)	0.625 in / (16 mm)
FCF 12,000	FCF0012000GS FCF0012023G	115V 230V	60 Hz 50/60 Hz	8.5 A 4.5 A	12,000 Btu / (3.5 kW)	20 in ² / (129 cm ²)	100 in ² / (645 cm ²)	68 lbs / (31 kg)	410 cfm / (696 m ³ /h)	5 in / (127 mm)	0.625 in / (16 mm)
FCF 16,000	FCF0016000GS FCF16023G	115V 230V	60 Hz 50/60 Hz	11 A 5.5 A	16,000 Btu / (4.7 kW)	24 in ² / (154.8 cm ²)	121 in ² / (780.6 cm ²)	76 lbs / (33 kg)	505 cfm / (858 m ³ /h)	5 in / (127 mm)	0.625 in / (16 mm)
FCF 24,000	FCF024000GS FCF002403G	115V 230V	60 Hz 50/60 Hz	20.4 A 12.3 A	24,000 Btu / (7 kW)	2 x 50 in ² / (2 x 323 cm ²)	168 in ² / (1,084 cm ²)	132 lbs / (60 kg)	2 x 324 cfm / (2 x 550 m ³ /h)	2 x 5 in / (2 x 127 mm)	0.625 in / (16 mm)

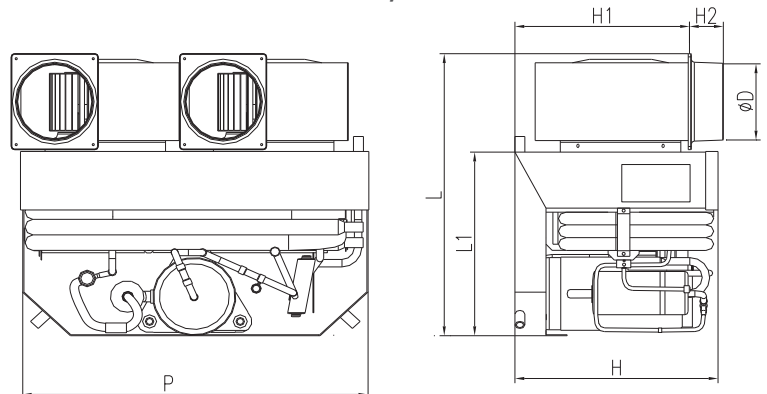
Dimensions

	FCF 5,000	FCF 9,000	FCF 12,000	FCF 16,000	FCF 24,000
H	295 mm 11.6 in	310 mm 12.2 in	330 mm 13 in	330 mm 13 in	386 mm 15.2 in
H1	260 mm 10.2 in	260 mm 10.2 in	290 mm 11.4 in	290 mm 11.4 in	326 mm 12.8 in
H2	54 mm 2.1 in	54 mm 2.1 in	54 mm 2.1 in	54 mm 2.1 in	56 mm 2.2 in
P	285 mm 11.2 in	380 mm 15 in	380 mm 15 in	450 mm 17.7 in	595 mm 23.4 in
D	102 mm 4 in	102 mm 4 in	127 mm 5 in	127 mm 5 in	127 mm 5 in
L	408 mm 16 in	408 mm 16 in	438 mm 17.2 in	454 mm 17.9 in	529 mm 20.8 in
L1	280 mm 11 in	280 mm 11 in	280 mm 11 in	295 mm 11.6 in	387 mm 15.2 in

FCF 5,000 / 9,000 / 12,000 / 16,000



FCF 24,000



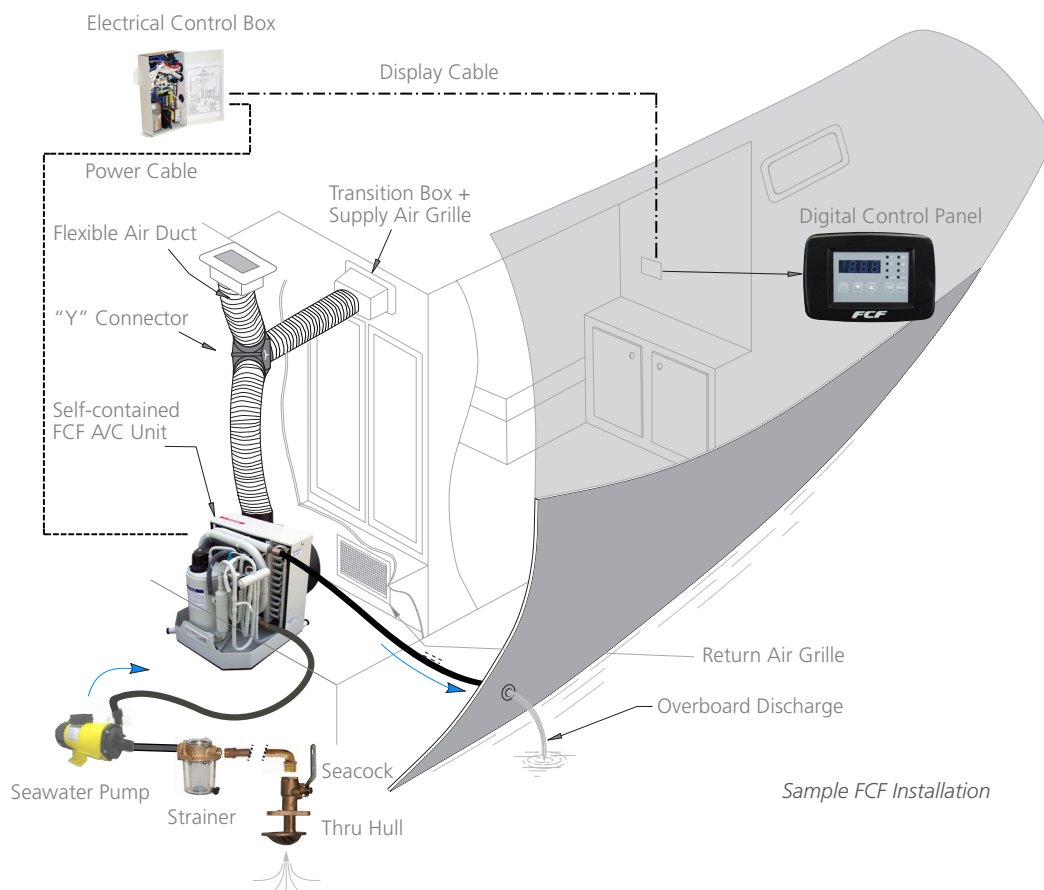
Seawater and Air Distribution Kits

	FCF 5,000	FCF 9,000	FCF 12,000 - FCF 16,000	FCF 24,000
Seawater Kit (115 V)*	FCF000121A	FCF000123A	FCF000125A	
Seawater Kit (230 V)*	FCF000122A	FCF000124A	FCF000126A	
Plastic Air Distribution Kit		FCF000112A	FCF000115A	FCF000127A
Teak Air Distribution Kit		FCF000113A	FCF000114A	FCF000128A
Plastic Add-a-Vent		FCF000116	FCF000118A	FCF000129A
Teak Add-a-Vent		FCF000117A	FCF000119A	FCF000130A
Seawater Hardware Kit**				FCF000120A

*Includes hardware kit and pump.

**Excludes pump.

NOTE: Seawater kits will be available by Fall 2013. Teak Kits are special order ONLY, please ask your authorized Webasto dealer for more information.



Seawater Kit:

- Bronze Seawater Scoop
- Bronze Seacock
- Bronze 90 Elbow
- Bronze Seawater Strainer
- Bronze Fittings
- Seawater Pump
- Plastic Overboard
- Hose and Clamps
- Bronze Thru Hull

Air Distribution Kit:

- Return Air Grille
- Supply Air Grilles
- Transition Box Back Entry
- "Y" Divider
- Flexible Insulated Duct

Webasto Thermo & Comfort
North America, Inc.

15083 North Road
Fenton, Michigan 48430
USA

Toll Free: 800-860-7866
Phone: 810-593-6000



www.webasto-marine.com