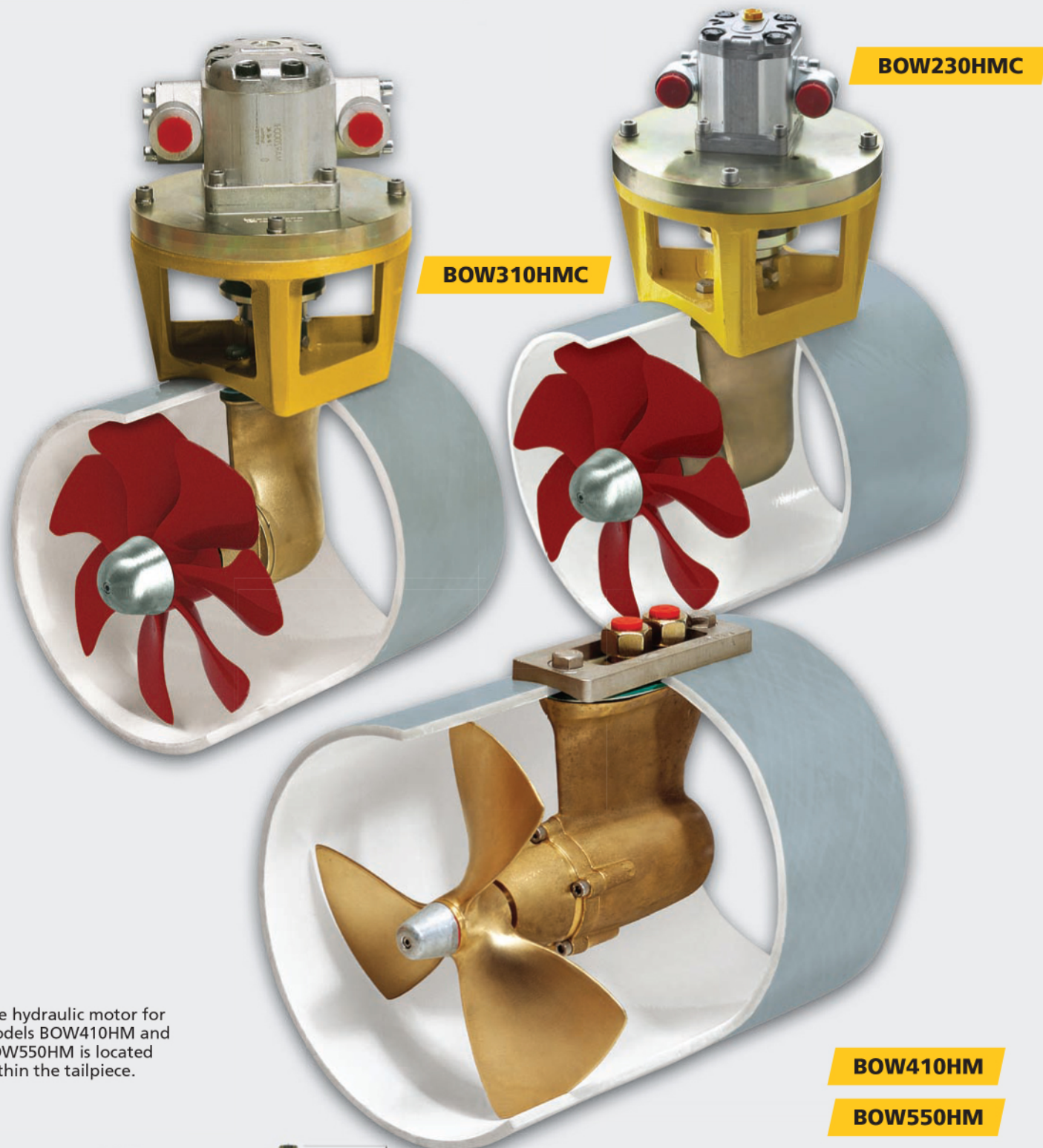
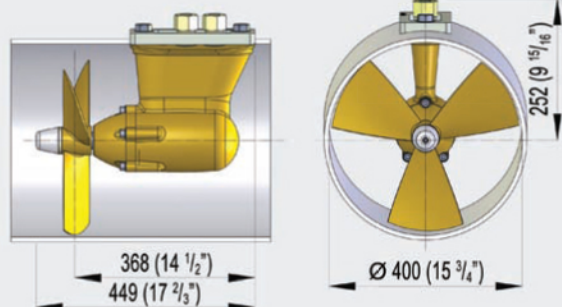




Hydraulic bow and stern thrusters



The hydraulic motor for models BOW410HM and BOW550HM is located within the tailpiece.



Technical data:	BOW410HM	BOW550HM
Thrust, N (kgf) (lbf)	4100 (410)(905)	5500 (550)(1215)
Hydraulic motor power, kW	22 (29)	33 (44)
Hydraulic motor speed, rpm	1920	1920
Hydraulic motor capacity, inch ³ /rev. (cm ³ /rev.)	2.75 (45)	2.75 (45)
Flow rate, l/min	92	92
Operating pressure, bar	180	280
Internal tunnel diameter, inch (mm)	15 3/4" (400)	15 3/4" (400)