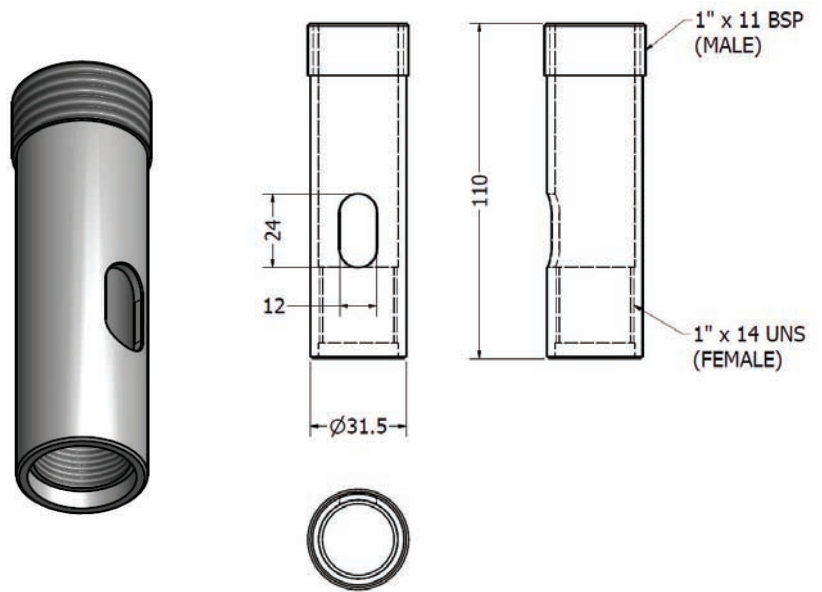


P-Adaptor

The P-Adaptor is used to mount P series antennas onto BI series brackets. P series antennas have a 1" x 11 BSP female thread at the base. The P-Adaptor has a 1" x 11 BSP male thread at the top and a 1" x 14 UNS female thread at the bottom. This 1" x 14 UNS female thread will fit all standard BI series Comrod brackets. A slot is provided on the side of the adaptor allowing the cable to exit above the bracket if required.



Typical Use

