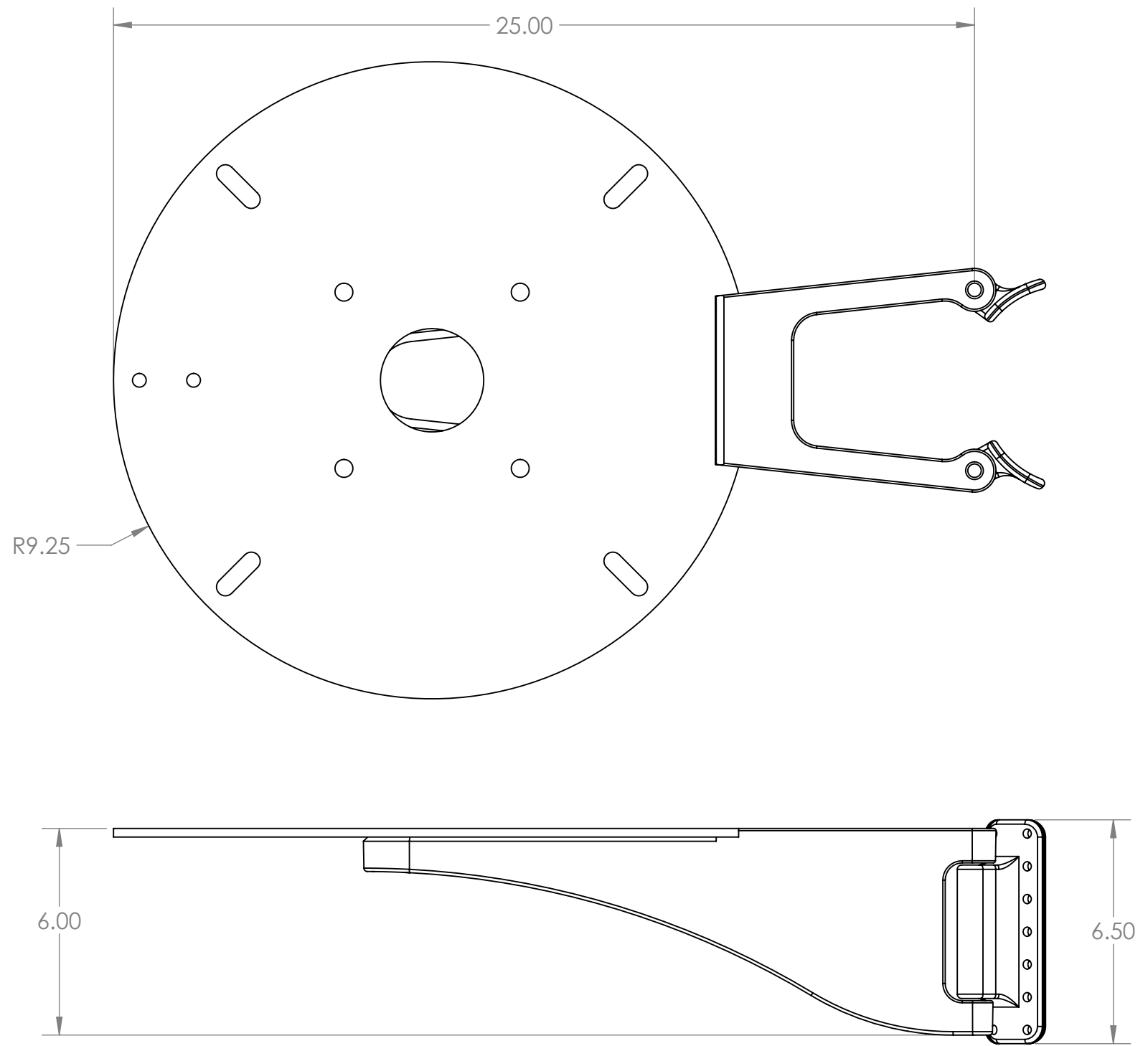


8 7 6 5 4 3 2 1

D
C
B
A



PROPRIETARY AND CONFIDENTIAL
 THE INFORMATION CONTAINED IN THIS DRAWING IS THE SOLE PROPERTY OF <INSERT COMPANY NAME HERE>. ANY REPRODUCTION IN PART OR AS A WHOLE WITHOUT THE WRITTEN PERMISSION OF <INSERT COMPANY NAME HERE> IS PROHIBITED.

		UNLESS OTHERWISE SPECIFIED:				NAME		DATE	
		DIMENSIONS ARE IN INCHES		DRAWN					
		TOLERANCES:		CHECKED					
		FRACTIONAL ±		ENG APPR.					
		ANGULAR: MACH ± BEND ±		MFG APPR.					
		TWO PLACE DECIMAL ±		Q.A.					
		THREE PLACE DECIMAL ±		COMMENTS:					
		INTERPRET GEOMETRIC TOLERANCING PER:							
		MATERIAL							
		FINISH							
NEXT ASSY	USED ON								
APPLICATION		DO NOT SCALE DRAWING							
				PYI Inc.				TITLE:	
								Mast Platform	
SIZE	DWG. NO.			REV					
B	SM-24-A								
SCALE: 1:4		WEIGHT:		SHEET 1 OF 1					

8 7 6 5 4 3 2 1