

**300-038, MastHead Light 5 nm Double  
Horizontal Mount, 400-034 Promount, Cabel  
Down.**

DRAWING NO.: <b>300-038 AA</b>	REV. NO.: <b>0</b>	SIZE: <b>A3</b>	DRAWN BY: <b>Sergio</b>
SCALE: <b>1:1</b>	TOLERANCES: <b>DS/ISO 2768-f</b>	REVIEWED BY:	CREATION DATE: <b>25-01-2017</b>

MATERIAL DESCRIPTION:  
**Alu EN 6082, Acrylic.** (20µ) Silver anodized according to EN ISO 7599  
(50µ) Black anodized according to MIL-A 8625F

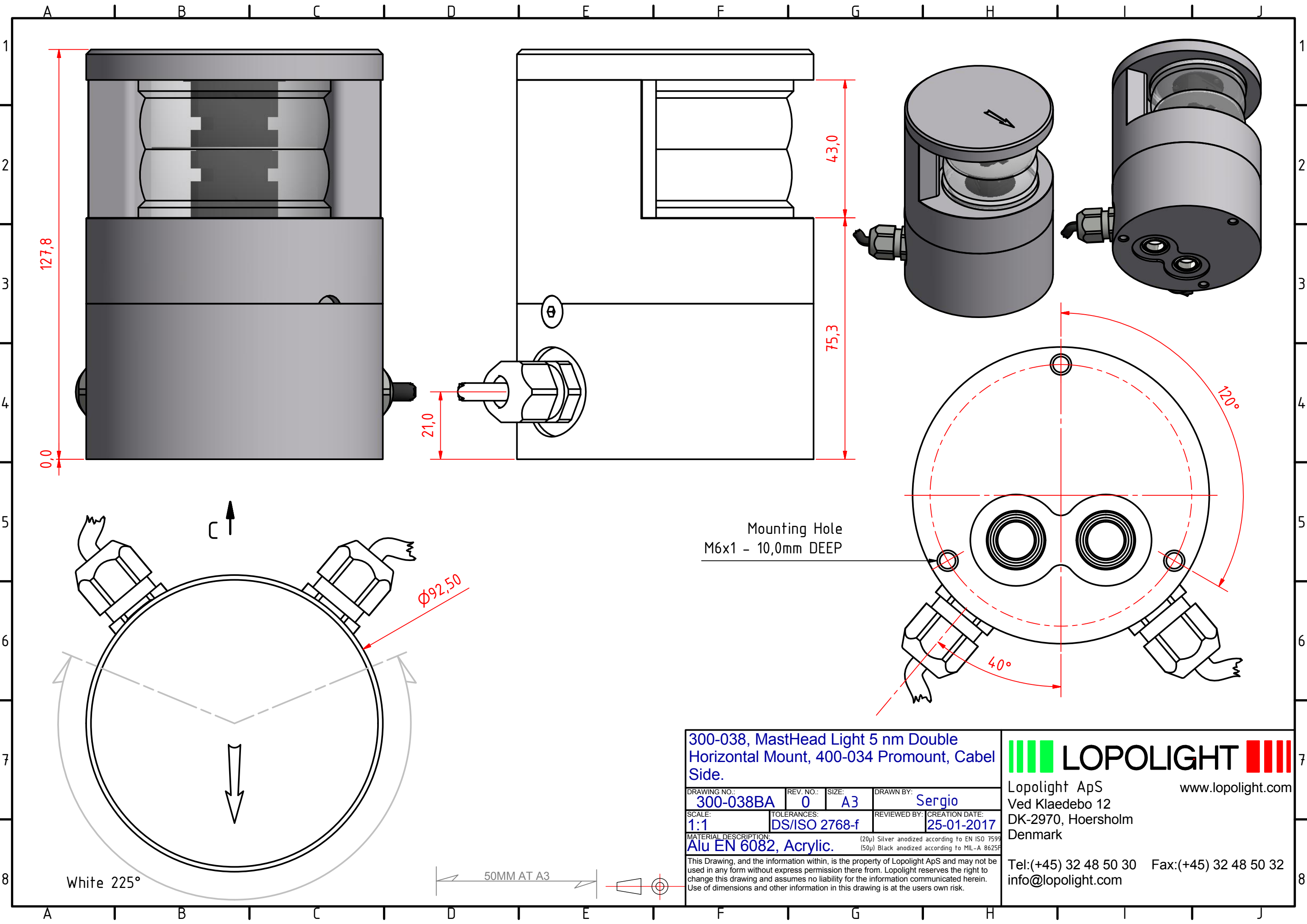
This Drawing, and the information within, is the property of Lopolight ApS and may not be used in any form without express permission there from. Lopolight reserves the right to change this drawing and assumes no liability for the information communicated herein. Use of dimensions and other information in this drawing is at the users own risk.



Lopolight ApS  
Ved Klaedebo 12  
DK-2970, Hoersholm  
Denmark

Tel:(+45) 32 48 50 30 Fax:(+45) 32 48 50 32  
info@lopolight.com www.lopolight.com

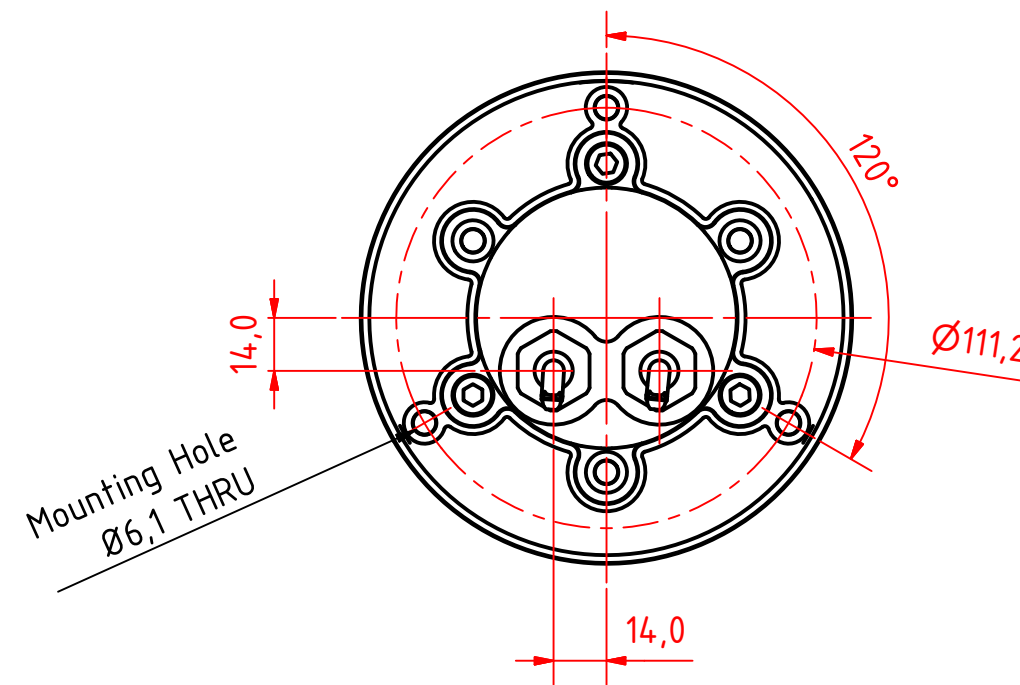
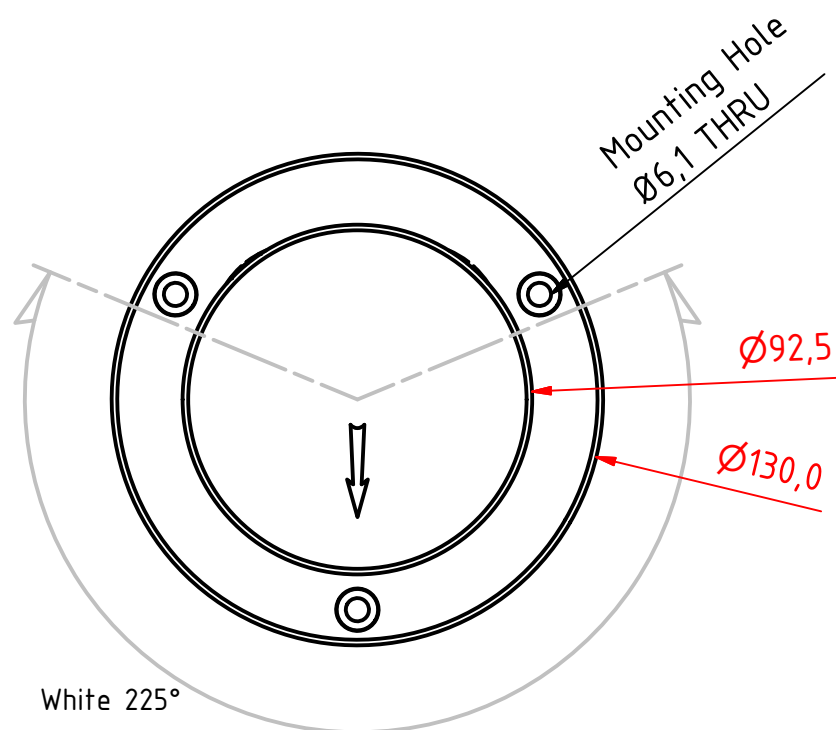
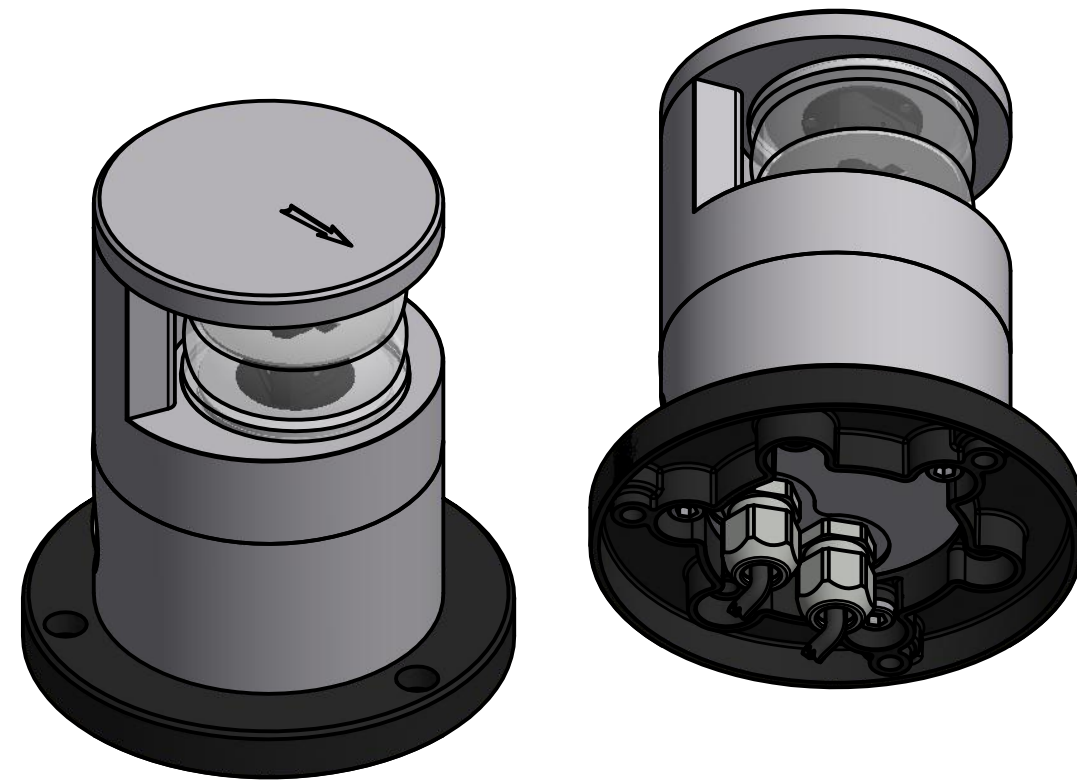
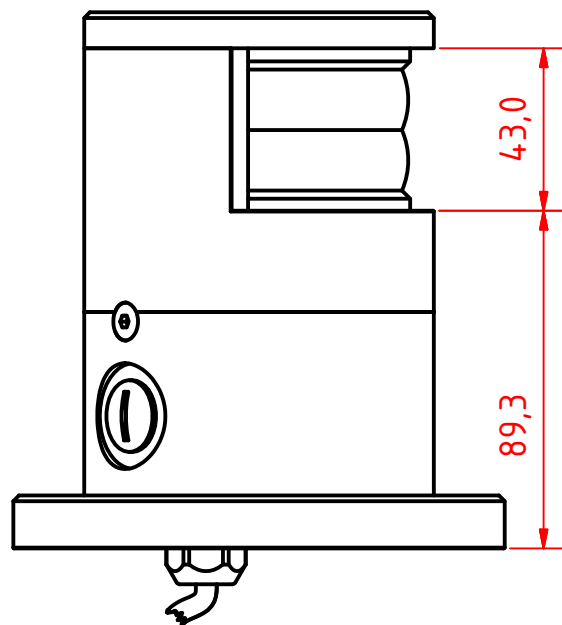
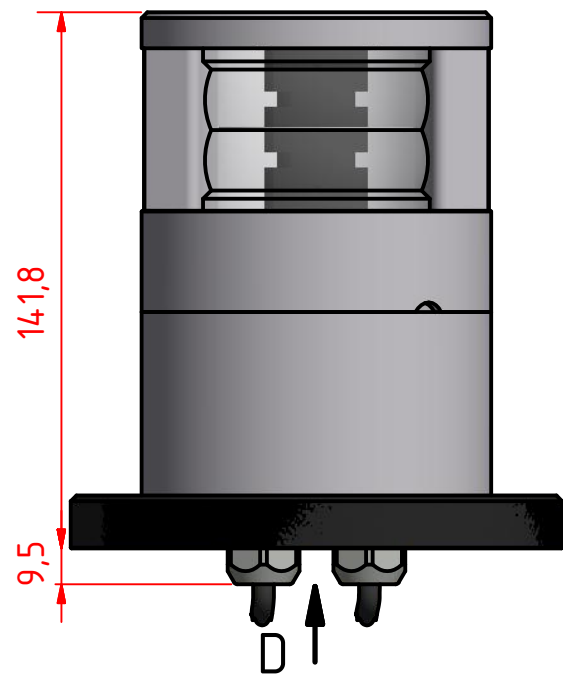
50MM AT A3



**300-038, MastHead Light 5 nm Double Horizontal Mount, 400-034 Promount, Cabel Side.**

DRAWING NO.: <b>300-038BA</b>	REV. NO.: <b>0</b>	SIZE: <b>A3</b>	DRAWN BY: <b>Sergio</b>
SCALE: <b>1:1</b>	TOLERANCES: <b>DS/ISO 2768-f</b>	REVIEWED BY:	CREATION DATE: <b>25-01-2017</b>
MATERIAL DESCRIPTION: <b>Alu EN 6082, Acrylic.</b> (20µ) Silver anodized according to EN ISO 7599 (50µ) Black anodized according to MIL-A 8625F			
This Drawing, and the information within, is the property of Lopolight ApS and may not be used in any form without express permission there from. Lopolight reserves the right to change this drawing and assumes no liability for the information communicated herein. Use of dimensions and other information in this drawing is at the users own risk.			

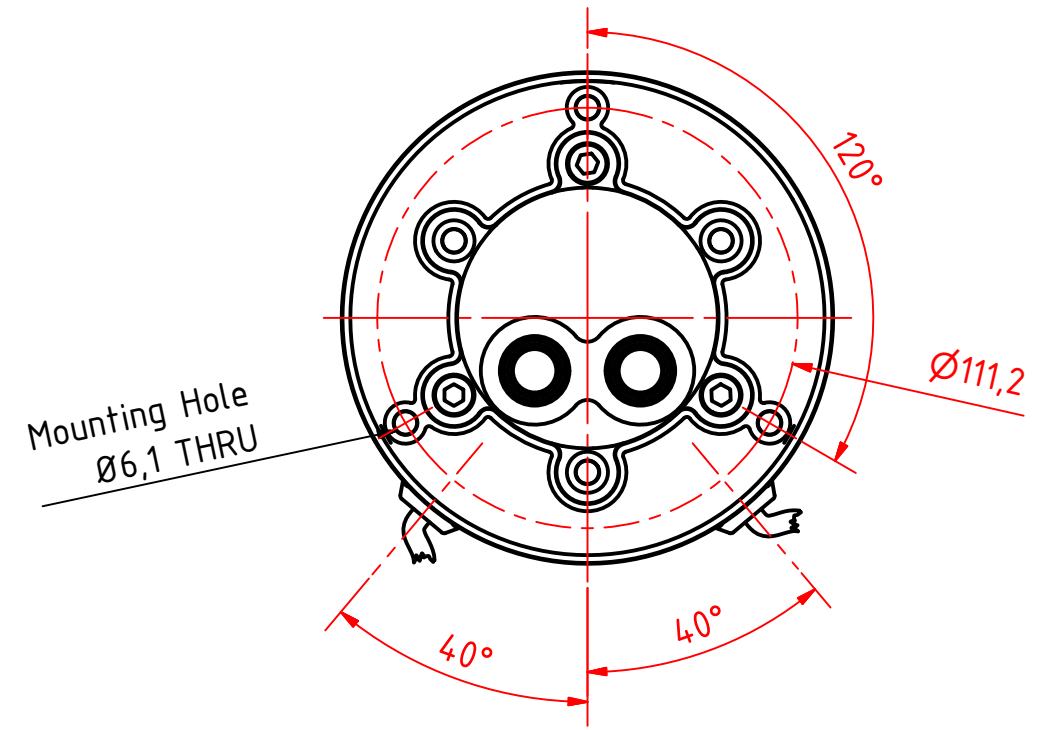
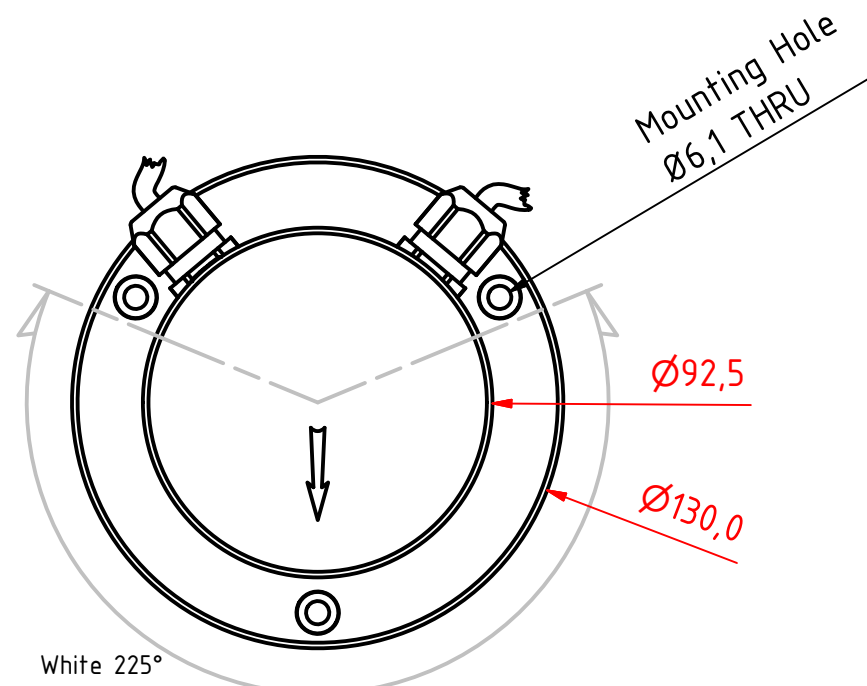
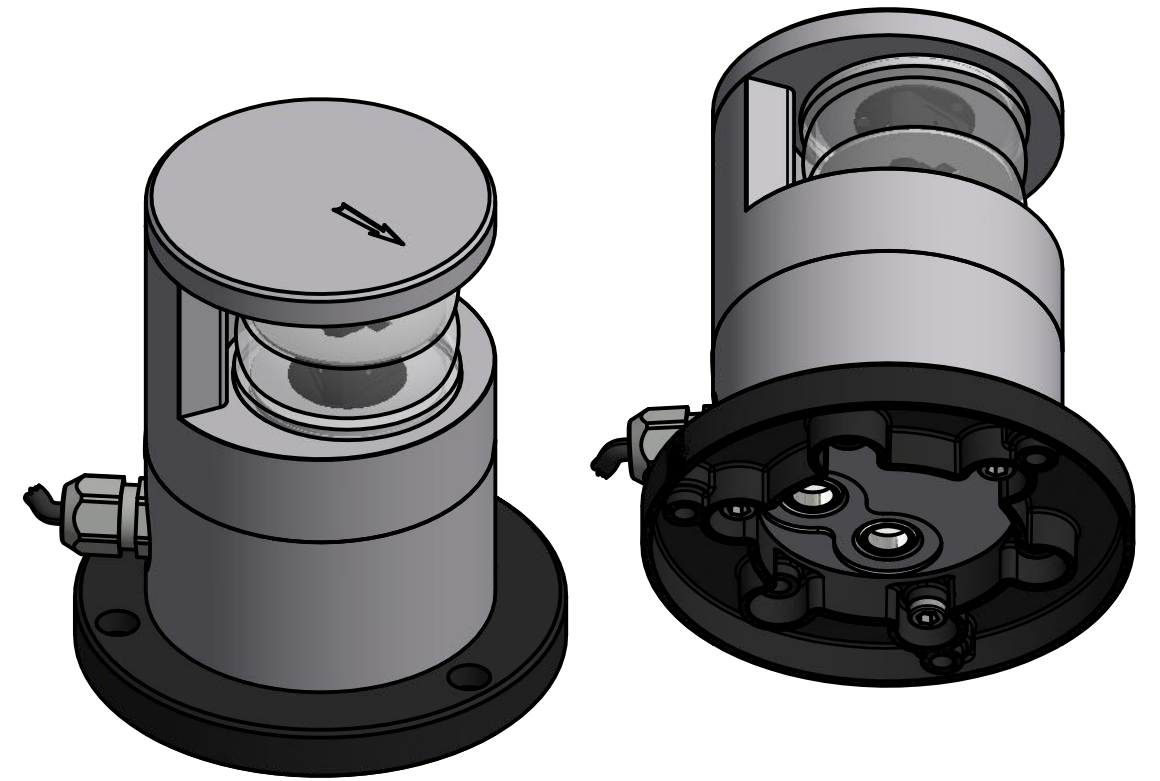
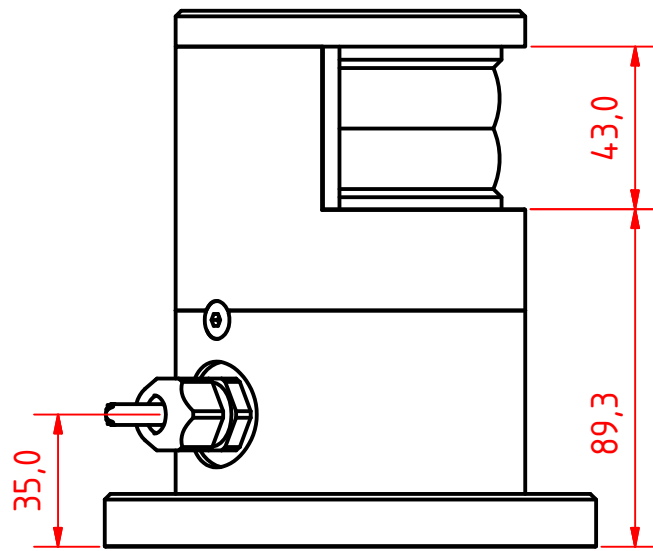
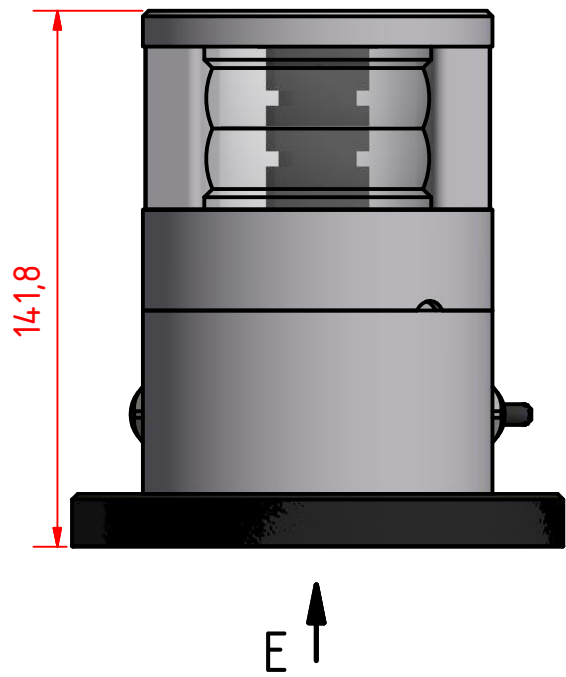
**LOPOLIGHT**  
 Lopolight ApS  
 Ved Klaedebo 12  
 DK-2970, Hoersholm  
 Denmark  
 www.lopolight.com  
 Tel:(+45) 32 48 50 30 Fax:(+45) 32 48 50 32  
 info@lopolight.com



<b>300-038, MastHead Light 5 nm Double Horizontal Mount, 400-034 Promount, 400-404 PE Base Plate, CD.</b>			
DRAWING NO.: <b>300-038CA</b>	REV. NO.: <b>0</b>	SIZE: <b>A3</b>	DRAWN BY: <b>Sergio</b>
SCALE: <b>1:2</b>	TOLERANCES: <b>DS/ISO 2768-f</b>	REVIEWED BY:	CREATION DATE: <b>25-01-2017</b>
MATERIAL DESCRIPTION: <b>Alu EN 6082, Acrylic, PE</b> (20µ) Silver anodized according to EN ISO 7599 (50µ) Black anodized according to MIL-A 8625F			
This Drawing, and the information within, is the property of Lopolight ApS and may not be used in any form without express permission therefrom. Lopolight reserves the right to change this drawing and assumes no liability for the information communicated herein. Use of dimensions and other information in this drawing is at the users own risk.			

**LOPOLIGHT**  
 Lopolight ApS  
 Ved Klaedebo 12  
 DK-2970, Hoersholm  
 Denmark  
 www.lopolight.com  
 Tel:(+45) 32 48 50 30 Fax:(+45) 32 48 50 32  
 info@lopolight.com





**300-038, MastHead Light 5 nm Double Horizontal Mount, 400-034 Promount, 400-404 PE Base Plate, Cabel Side.**

DRAWING NO.: <b>300-038DA</b>	REV. NO.: <b>0</b>	SIZE: <b>A3</b>	DRAWN BY: <b>Sergio</b>
SCALE: <b>1:2</b>	TOLERANCES: <b>DS/ISO 2768-f</b>	REVIEWED BY:	CREATION DATE: <b>25-01-2017</b>

**Alu EN 6082, Acrylic, PE** (20µ) Silver anodized according to EN ISO 7599 (50µ) Black anodized according to MIL-A 8625F

This Drawing, and the information within, is the property of Lopolight ApS and may not be used in any form without express permission there from. Lopolight reserves the right to change this drawing and assumes no liability for the information communicated herein. Use of dimensions and other information in this drawing is at the users own risk.

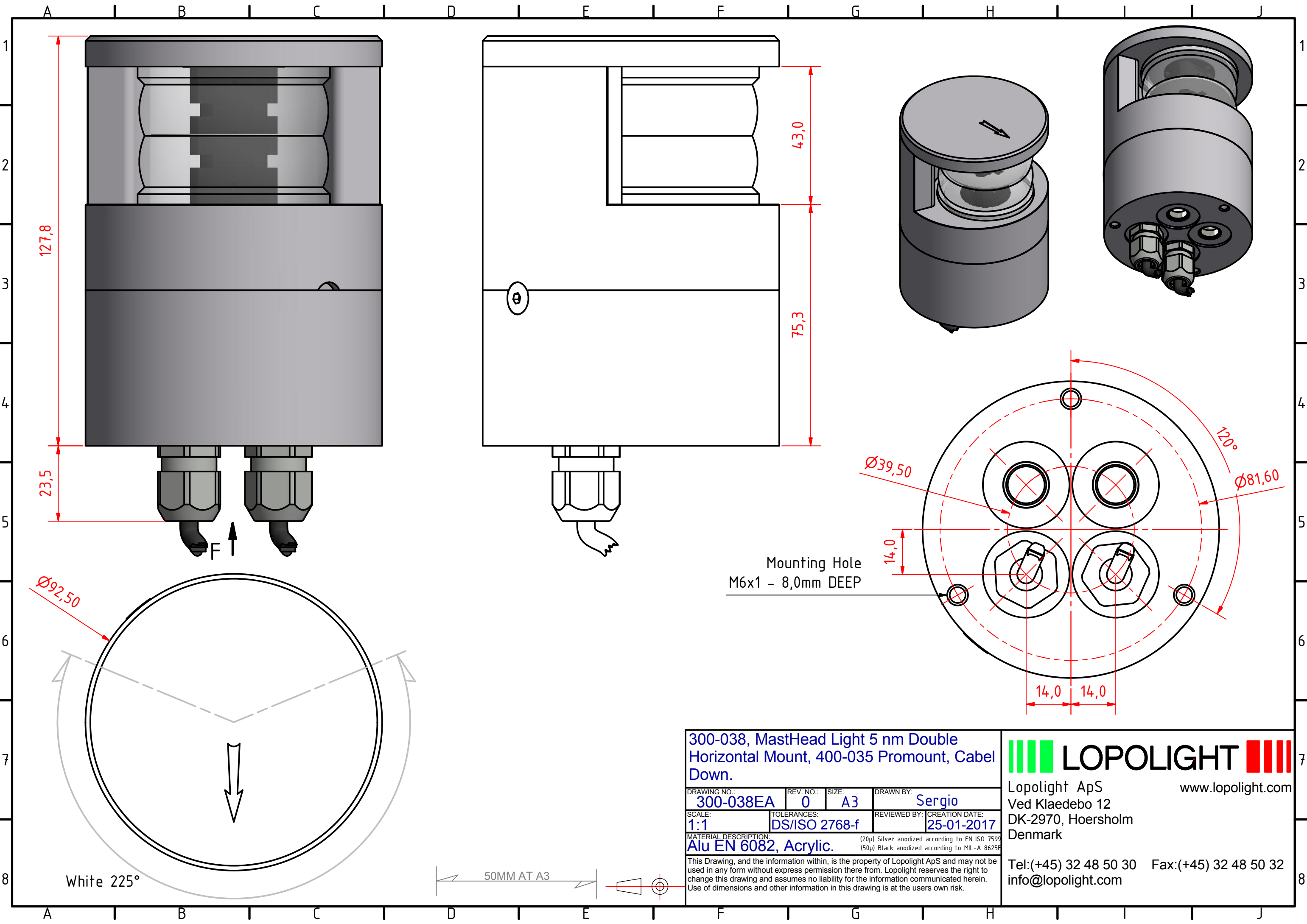


Lopolight ApS  
Ved Klaedebo 12  
DK-2970, Hoersholm  
Denmark

www.lopolight.com

Tel:(+45) 32 48 50 30 Fax:(+45) 32 48 50 32  
info@lopolight.com





**300-038, MastHead Light 5 nm Double Horizontal Mount, 400-035 Promount, Cabel Down.**

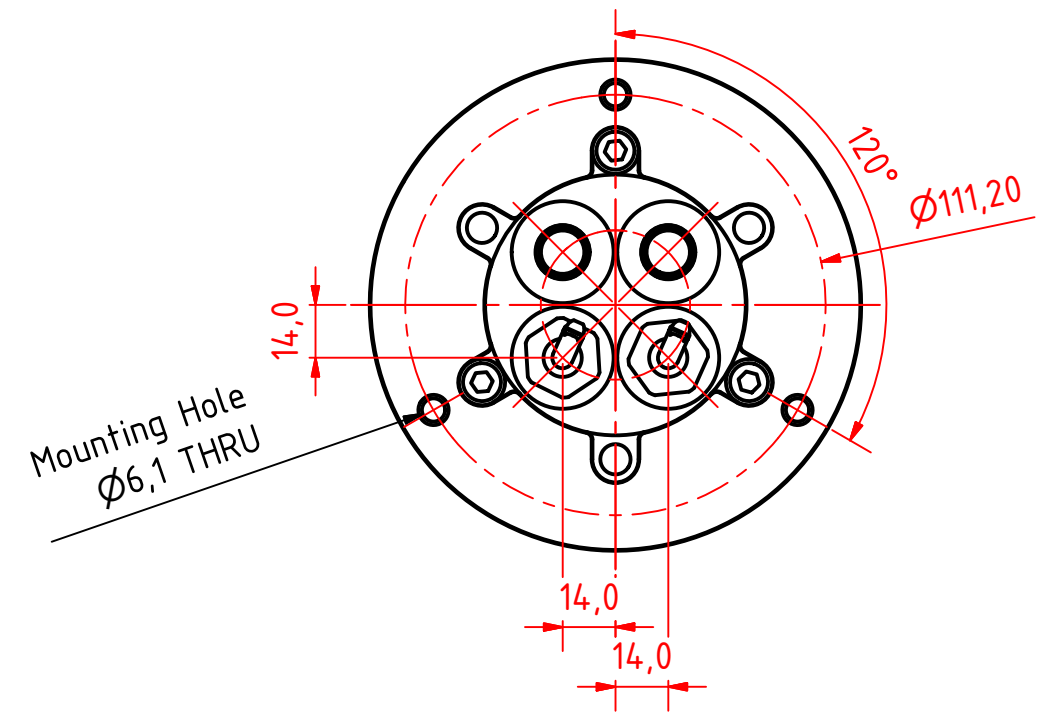
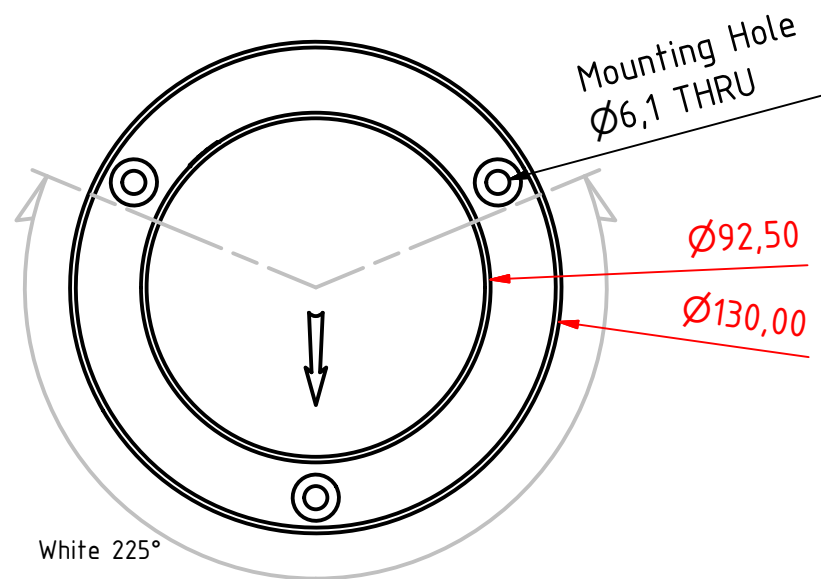
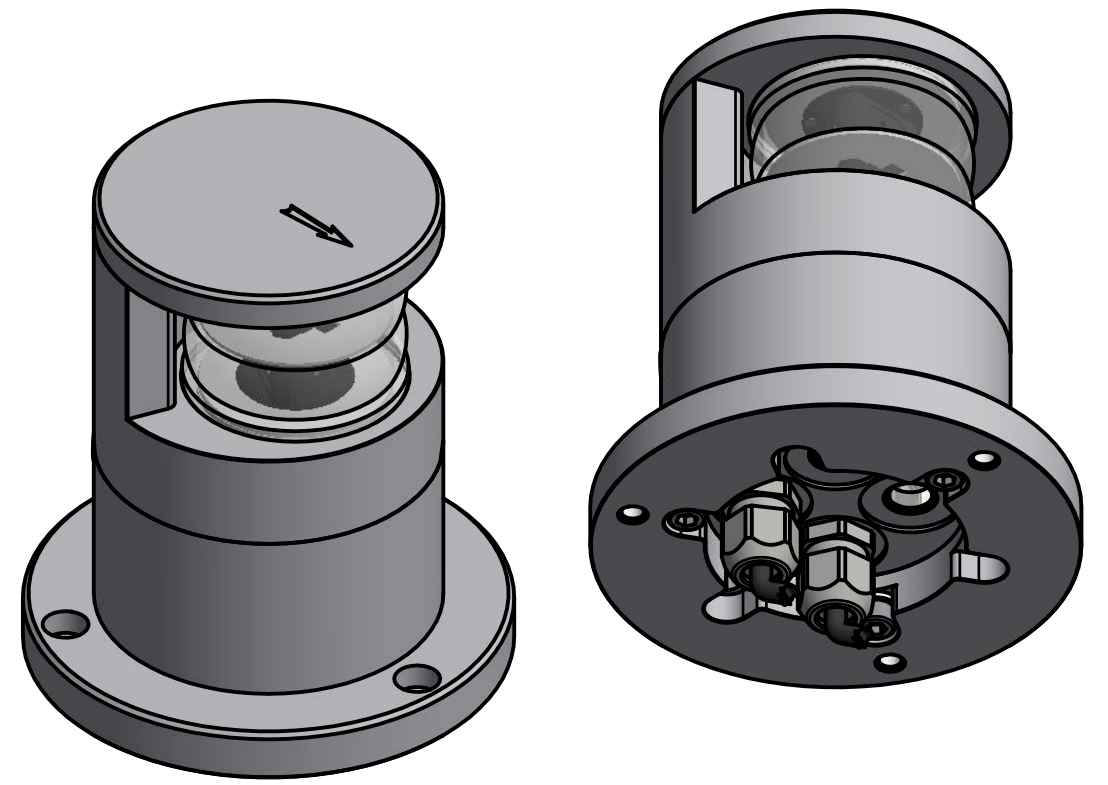
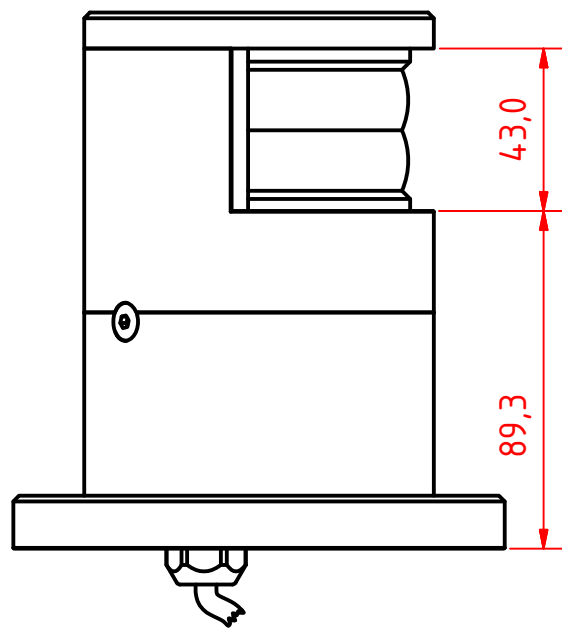
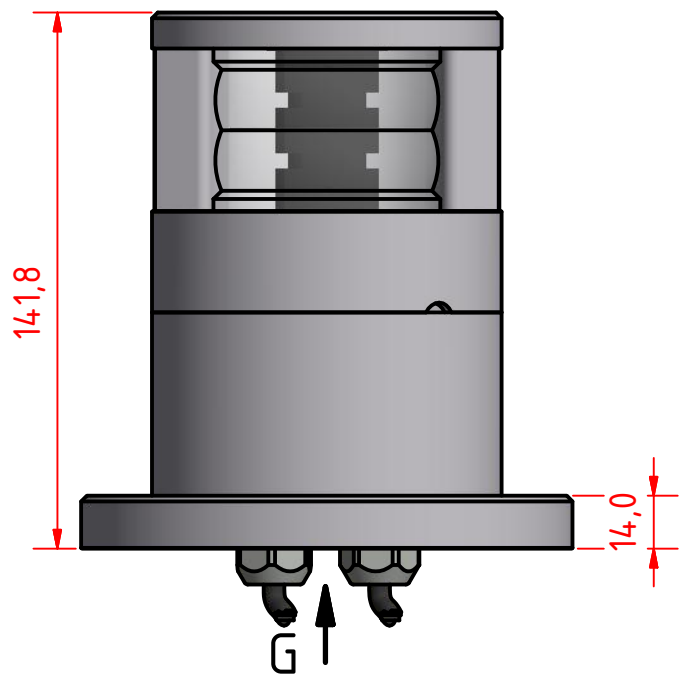
DRAWING NO.: <b>300-038EA</b>	REV. NO.: <b>0</b>	SIZE: <b>A3</b>	DRAWN BY: <b>Sergio</b>
SCALE: <b>1:1</b>	TOLERANCES: <b>DS/ISO 2768-f</b>	REVIEWED BY:	CREATION DATE: <b>25-01-2017</b>
MATERIAL DESCRIPTION: <b>Alu EN 6082, Acrylic.</b> (20µ) Silver anodized according to EN ISO 7599 (50µ) Black anodized according to MIL-A 8625F			
This Drawing, and the information within, is the property of Lopolight ApS and may not be used in any form without express permission there from. Lopolight reserves the right to change this drawing and assumes no liability for the information communicated herein. Use of dimensions and other information in this drawing is at the users own risk.			

**LOPOLIGHT**

Lopolight ApS  
 Ved Klaedebo 12  
 DK-2970, Hoersholm  
 Denmark

www.lopolight.com

Tel:(+45) 32 48 50 30 Fax:(+45) 32 48 50 32  
 info@lopolight.com



**300-038, MastHead Light 5 nm Double  
Horizontal Mount, 400-035  
Promount,400-401 Alu Base Plate, CD.**

DRAWING NO.: **300-038FA** REV. NO.: **0** SIZE: **A3** DRAWN BY: **Sergio**

SCALE: **1:2** TOLERANCES: **DS/ISO 2768-f** REVIEWED BY: CREATION DATE: **25-01-2017**

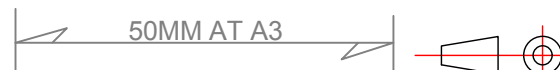
MATERIAL DESCRIPTION: **Alu EN 6082, Acrylic.** (20µ) Silver anodized according to EN ISO 7599 (50µ) Black anodized according to MIL-A 8625F

This Drawing, and the information within, is the property of Lopolight ApS and may not be used in any form without express permission there from. Lopolight reserves the right to change this drawing and assumes no liability for the information communicated herein. Use of dimensions and other information in this drawing is at the users own risk.

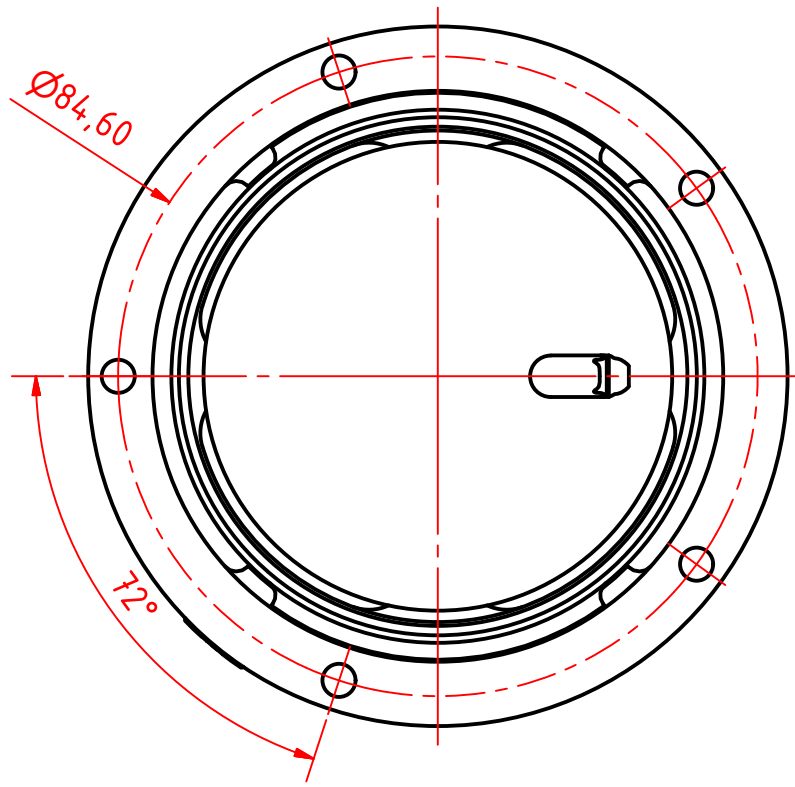
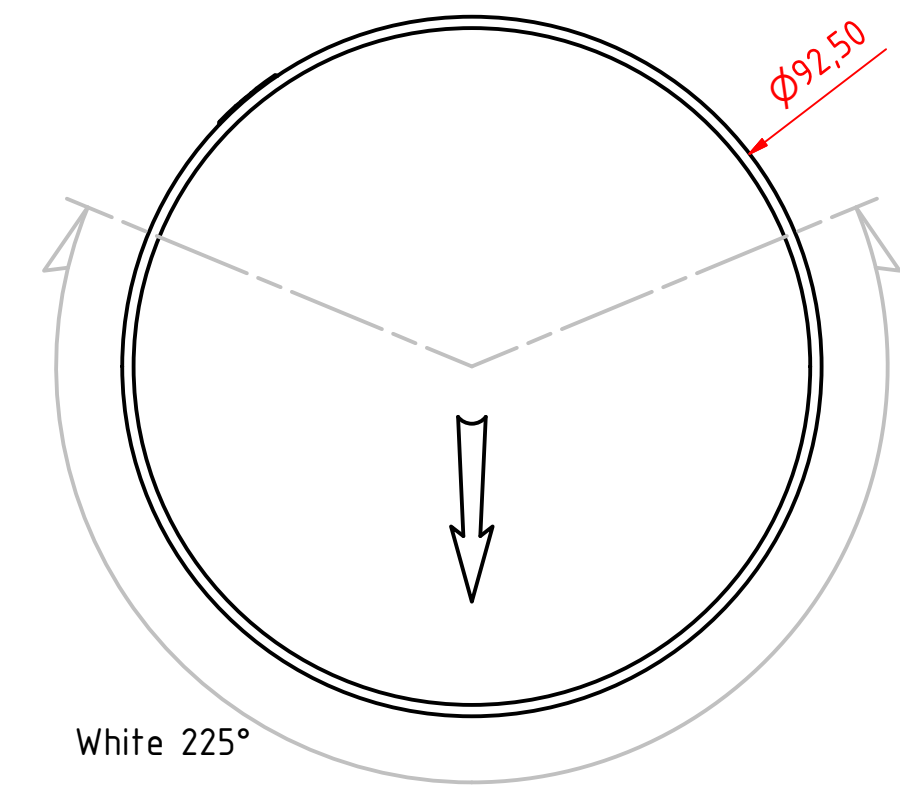
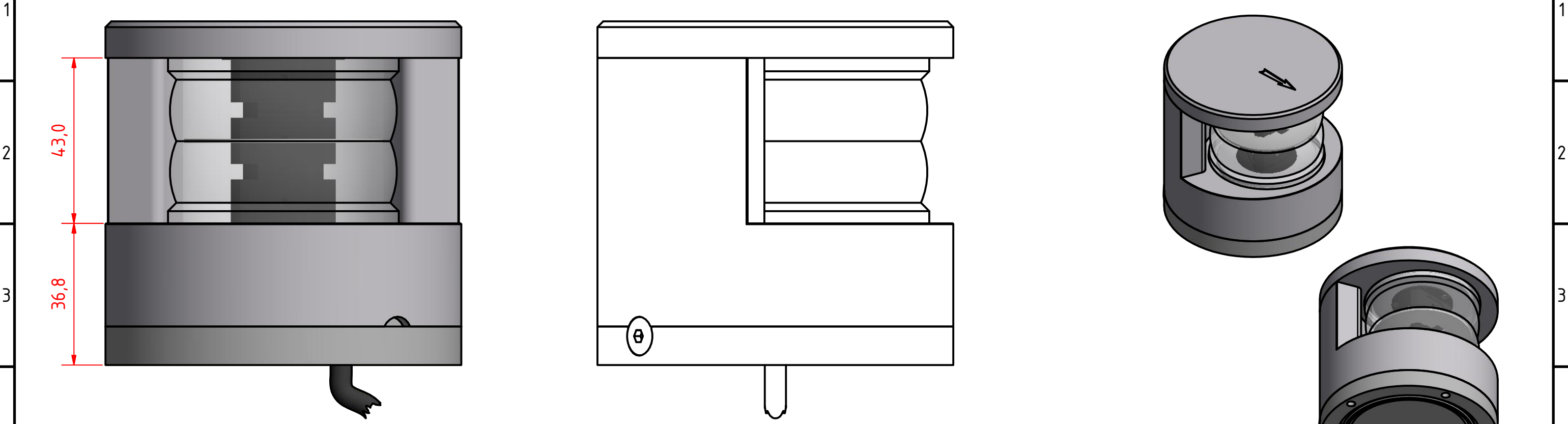


Lopolight ApS [www.lopolight.com](http://www.lopolight.com)  
Ved Klaedebo 12  
DK-2970, Hoersholm  
Denmark

Tel:(+45) 32 48 50 30 Fax:(+45) 32 48 50 32  
info@lopolight.com



A B C D E F G H I J



**300-038, MastHead Light 5 nm Double Horizontal Mount on a low profile base**

DRAWING NO.: <b>300-038GA</b>	REV. NO.: <b>0</b>	SIZE: <b>A3</b>	DRAWN BY: <b>Sergio</b>
SCALE: <b>1:1</b>	TOLERANCES: <b>DS/ISO 2768-f</b>	REVIEWED BY:	CREATION DATE: <b>25-01-2017</b>

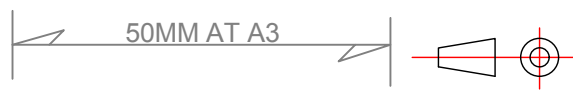
MATERIAL DESCRIPTION:  
**Alu EN 6082, Acrylic, PE** (20µ) Silver anodized according to EN ISO 7599 (50µ) Black anodized according to MIL-A 8625F

This Drawing, and the information within, is the property of Lopolight ApS and may not be used in any form without express permission there from. Lopolight reserves the right to change this drawing and assumes no liability for the information communicated herein. Use of dimensions and other information in this drawing is at the users own risk.

**LOPOLIGHT**

Lopolight ApS www.lopolight.com  
 Ved Klaedebo 12  
 DK-2970, Hoersholm  
 Denmark

Tel:(+45) 32 48 50 30 Fax:(+45) 32 48 50 32  
 info@lopolight.com



A B C D E F G H I J

8