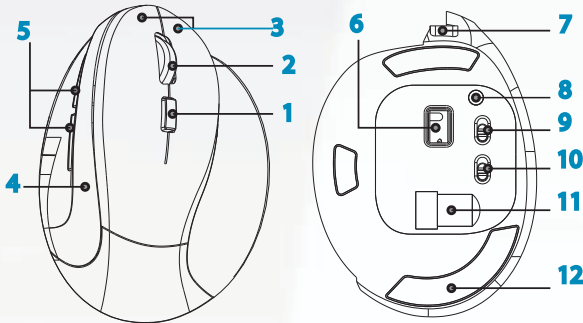


# Ergonomic Bluetooth® Mouse

Dual Mode • Rechargeable

## QuickStart Guide

### Your New Mouse



### Features & Controls

- |                               |                             |
|-------------------------------|-----------------------------|
| 1. DPI Resolution Selector    | 7. Charging Interface       |
| 2. Scroll-Wheel & Click Key   | 8. Bluetooth Connect Button |
| 3. Left & Right Click Buttons | 9. Power On/Off             |
| 4. Ergonomic Case Design      | 10. Wireless Selector       |
| 5. Forward & Back Keys*       | 11. RF Receiver Bay         |
| 6. Optical Sensor System      | 12. Glide Pads              |

### Getting Started

#### Using RF Wireless

1. Charge your mouse using supplied USB cable (7)
2. Remove receiver (11) from base of mouse
3. Insert receiver into computer USB port
4. Switch wireless selector (10) to RF
5. Turn mouse power ON (9)
6. Select desired mouse resolution (1)

#### Using Bluetooth Wireless

1. Charge your mouse using supplied USB cable (7)
2. Switch Wireless Selector (10) to BT
3. Turn mouse power switch ON (9)
4. Press the Connect Button (8) for 3 seconds
5. Follow screen prompts to complete connection
6. Select desired mouse resolution (1)

### Tips & Troubleshooting

#### Operating Tips

1. Turn mouse OFF when not in use (9)
2. Use on lighter colored desktop surfaces
3. Switch wireless connection from BT to RF (10)
4. Select mouse resolution by application (1)

#### Troubleshooting

1. Turn mouse OFF for 5 seconds, then back ON (9)
2. Charge battery (OK to use mouse while charging)
3. Reset your BT connection (see Using Bluetooth Wireless)
4. Reset your RF connection (see Using RF Wireless)

### Specifications & Support

#### Specifications

1. Dual mode wireless (Bluetooth & 2.4GHz RF)
2. Selectable mouse resolution (800, 1200, 1600 dpi)
3. Wireless range (up to 30-feet / 10 meters)
4. Windows® & OS X® compatible

#### Product Support

**SMK-Link Electronics Corporation**  
 1267 Flynn Road, Camarillo, CA 93012  
 TEL: (888) 696-3500 | (805) 987-6662  
 Email: pcsupport@smkusa.com  
 www.smklink.com

\* Internet keys active on Windows® systems only.



# Ergonomic Bluetooth® Mouse

Dual Mode • Rechargeable

## QuickStart Guide

### Thank You

Congratulations on your purchase of the Ergonomic Bluetooth Mouse (*Model VP6158*). We thank you for choosing SMK-Link to meet your wireless needs, and look forward to serving you again in the future. To learn about new SMK-Link products, and to ensure the best possible product support, please take a moment to **register your product online at [www.smklink.com/register](http://www.smklink.com/register)**.

### Warranty

SMK-Link Electronics Corporation (SMK-Link) warrants to the original end-user purchaser of the Product ("you") that the Product, excluding batteries, will be free from defects in materials and workmanship under normal use and service for one-year from date of purchase. If the Product becomes defective in materials or workmanship during the warranty period, SMK-Link will, at its option, either repair or replace it. The replacement unit may be a more current or upgraded model if the originally purchased model is not available. Any Product repaired or replaced under the terms of the warranty is covered for the remainder of the original warranty period or ninety (90) days from the date of return shipment, whichever is longer. This warranty does not cover Products which have been subjected to misuse, accident, physical damage, improper installation, abnormal operation or handling, neglect, inundation or fire or when Product regulatory label has been removed, altered or rendered illegible; nor does it cover accessory or consumable items.

SMK-Link shall not be liable for any indirect special, incidental, or consequential damages. SMK-Link's total liability for damages for any cause related to, or arising out of, the use or inability to use the Product shall not exceed the original price paid for the Product even if SMK-Link has been informed of such possibility. If your Product requires service under warranty, you must first contact SMK-Link product support to receive an RMA number. Shipping of defective units back to SMK-Link is at your expense. The contact information can be found on the SMK-Link website: [www.smklink.com](http://www.smklink.com).

The warranty does not affect your statutory rights and you may have other rights which vary from state to state and country to country. This warranty is understood to be the complete and exclusive agreement between the parties, superseding all prior agreements, oral or written, and all other communications between the parties relating to the matter of this warranty. The above warranty does not apply to Products sold in Australia. Products sold in Australia by an authorized reseller will contain an Australia specific warranty statement.

### Industry Canada (IC) Notices

This device complies with Industry Canada licence-exempt RSS standard(s). Operation is subject to the following two conditions: (1) this device may not cause interference, and (2) this device must accept any interference, including interference that may cause undesired operation of the device.

Le présent appareil est conforme aux CNR d'Industrie Canada applicables aux appareils radioexempts de licence. L'exploitation est autorisée aux deux conditions suivantes : (1) l'appareil ne doit pas produire de brouillage, et (2) l'utilisateur de l'appareil doit accepter tout brouillage radioélectrique subi, même si le brouillage est susceptible d'en compromettre le fonctionnement.

### FCC Certification

This device complies with Part 15 of the FCC Rules. Operation is subject to the following two conditions: (1) This device may not cause harmful interference, and (2) This device must accept any interference received, including interference that may cause undesired operation.

This equipment has been tested and found to comply with the limits for a CLASS B digital device, pursuant to Part 15 of the FCC rules. These limits are designed to provide reasonable protection against harmful interference when the equipment is operated in a residential installation. This equipment generates, uses, and can radiate radio frequency energy. If not installed correctly and used in accordance with the instruction guide, it may cause harmful interference to radio communications. However, there is no guarantee that this radio interference will not occur in a particular installation.

If this equipment does cause harmful interference to radio or television reception, which can be determined by turning the equipment on and off, the user is encouraged to try to correct the interference by one or more of the following measures:

1. Re-orient or relocate the receiving antenna.
2. Increase the separation between the equipment and the receiver.
3. Connect the equipment into an outlet on a circuit different from that to which the receiver is connected.
4. Consult the dealer or an experienced Radio-TV technician for help.

Notice: Any changes or modifications not expressly approved by the party responsible for compliance could void the user's authority to operate the equipment. Extension cables are not recommended, if used, they must be shielded in order to comply with the emission limits. This device and its antenna(s) must not be co-located or operating in conjunction with any other antenna or transmitter.

### CE Certification

Manufacturer: SMK-Link Electronics Corporation  
1267 Flynn Road, Camarillo, CA 93012  
Hereby, SMK-Link Electronics declares that the VP6158 is in compliance with the essential requirements and other relevant provisions of the EU Directive 2014 / 53 / EU.