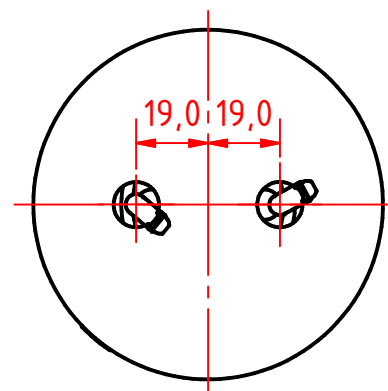
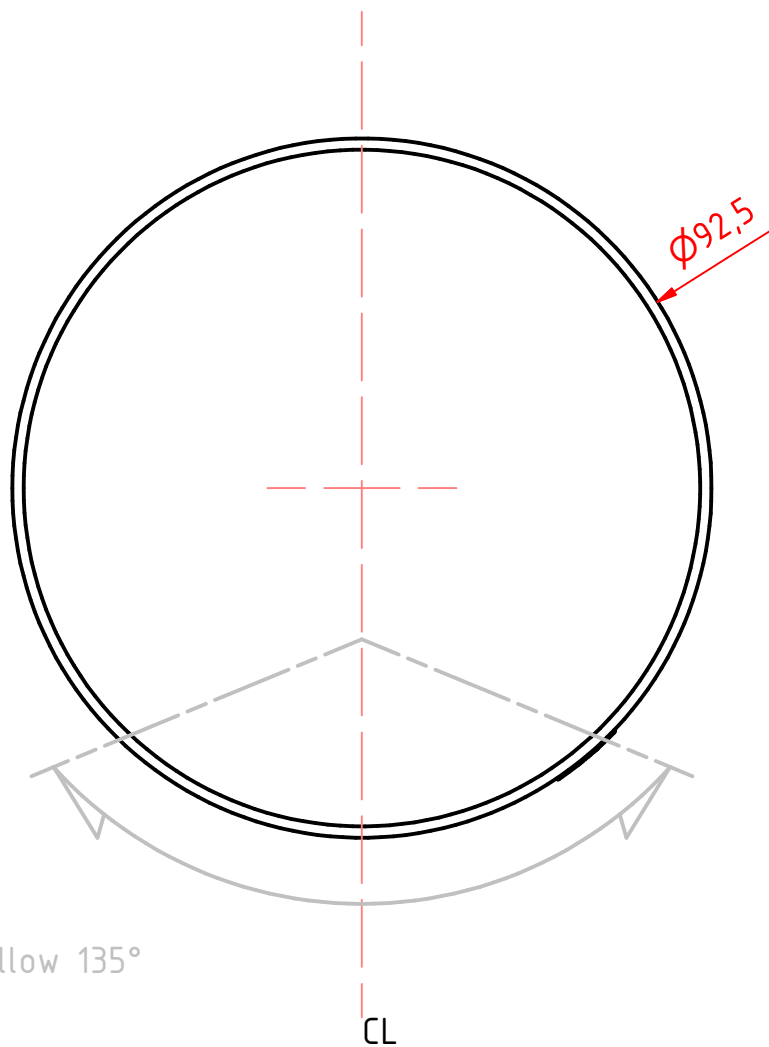


Note:
 The PE Plastic base is intended for fitting on site and can be either drilled for mounting screws from above. 6mm screws with nuts and washers are recommended for secure mounting.



Rev2: 10/05/2019 Adding text PRO Series version on the sheet JB and add Sheet IB
 Rev1: 20/02/2019 Addition of sheet 201-013GB

201-013ST 2nm double stern towing HM, on a 400-038 PE std base

DRAWING NO.: 201-013GB	REV. NO.: 2	SIZE: A3	DRAWN BY: Sergio
SCALE: 1:1	TOLERANCES: DS/ISO 2768-f	REVIEWED BY: PHC	CREATION DATE: 24-04-2018

MATERIAL DESCRIPTION:
EN 6082, Acrylic, PE (20µ) Silver anodized according to EN ISO 7599 (50µ) Black anodized according to MIL-A 8625F

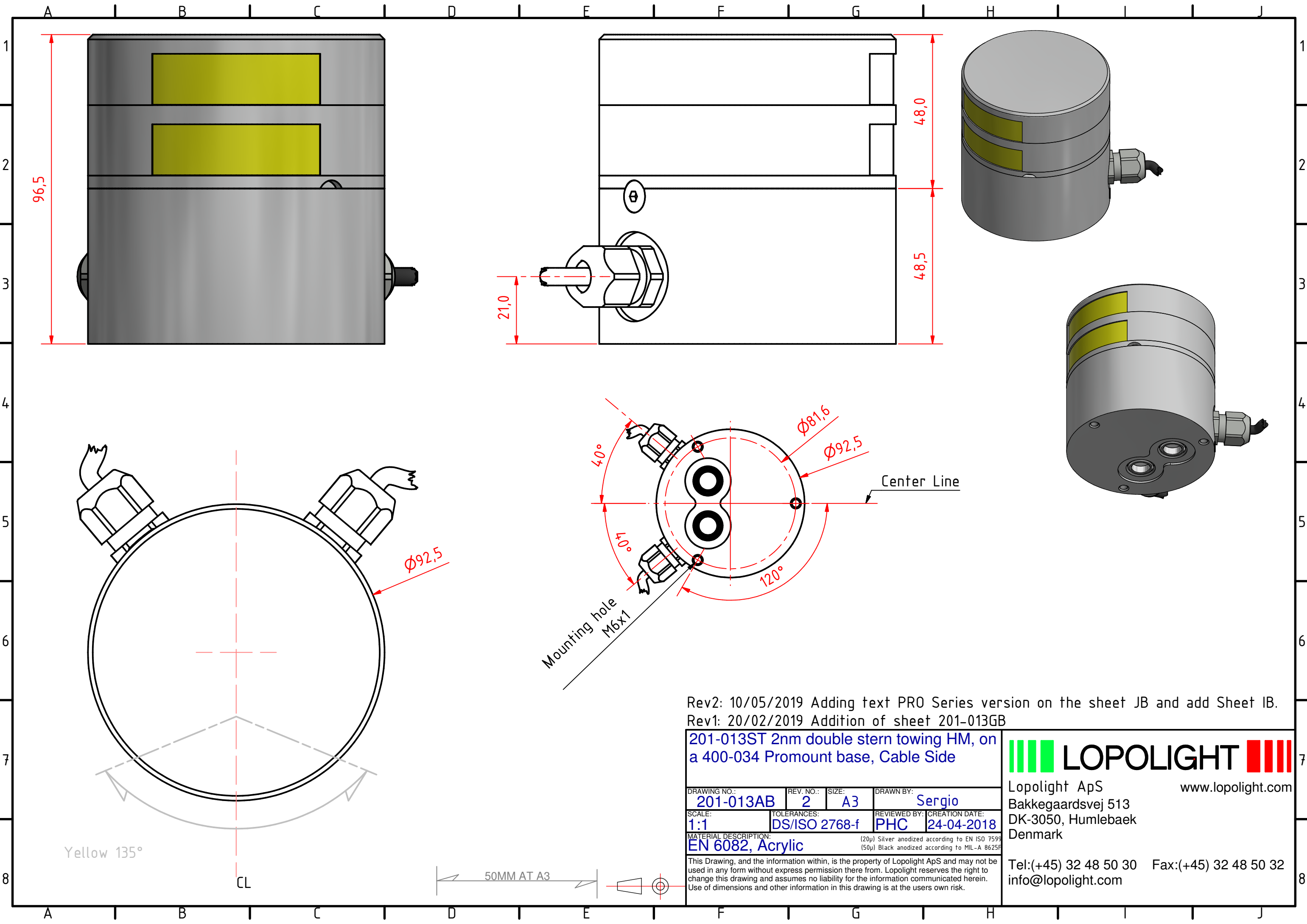
This Drawing, and the information within, is the property of Lopolight ApS and may not be used in any form without express permission there from. Lopolight reserves the right to change this drawing and assumes no liability for the information communicated herein. Use of dimensions and other information in this drawing is at the users own risk.



Lopolight ApS www.lopolight.com
 Bakkegaardsvej 513
 DK-3050, Humlebaek
 Denmark

Tel:(+45) 32 48 50 30 Fax:(+45) 32 48 50 32
 info@lopolight.com





96,5

48,0

48,5

21,0

Ø92,5

Ø81,6

Ø92,5

Mounting hole
M6x1

Center Line

Rev2: 10/05/2019 Adding text PRO Series version on the sheet JB and add Sheet IB.
Rev1: 20/02/2019 Addition of sheet 201-013GB

201-013ST 2nm double stern towing HM, on a 400-034 Promount base, Cable Side

DRAWING NO.: 201-013AB	REV. NO.: 2	SIZE: A3	DRAWN BY: Sergio
SCALE: 1:1	TOLERANCES: DS/ISO 2768-f	REVIEWED BY: PHC	CREATION DATE: 24-04-2018

MATERIAL DESCRIPTION:
EN 6082, Acrylic (20µ) Silver anodized according to EN ISO 7599
(50µ) Black anodized according to MIL-A 8625F

This Drawing, and the information within, is the property of Lopolight ApS and may not be used in any form without express permission there from. Lopolight reserves the right to change this drawing and assumes no liability for the information communicated herein. Use of dimensions and other information in this drawing is at the users own risk.



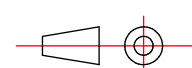
Lopolight ApS
Bakkegaardsvej 513
DK-3050, Humlebaek
Denmark

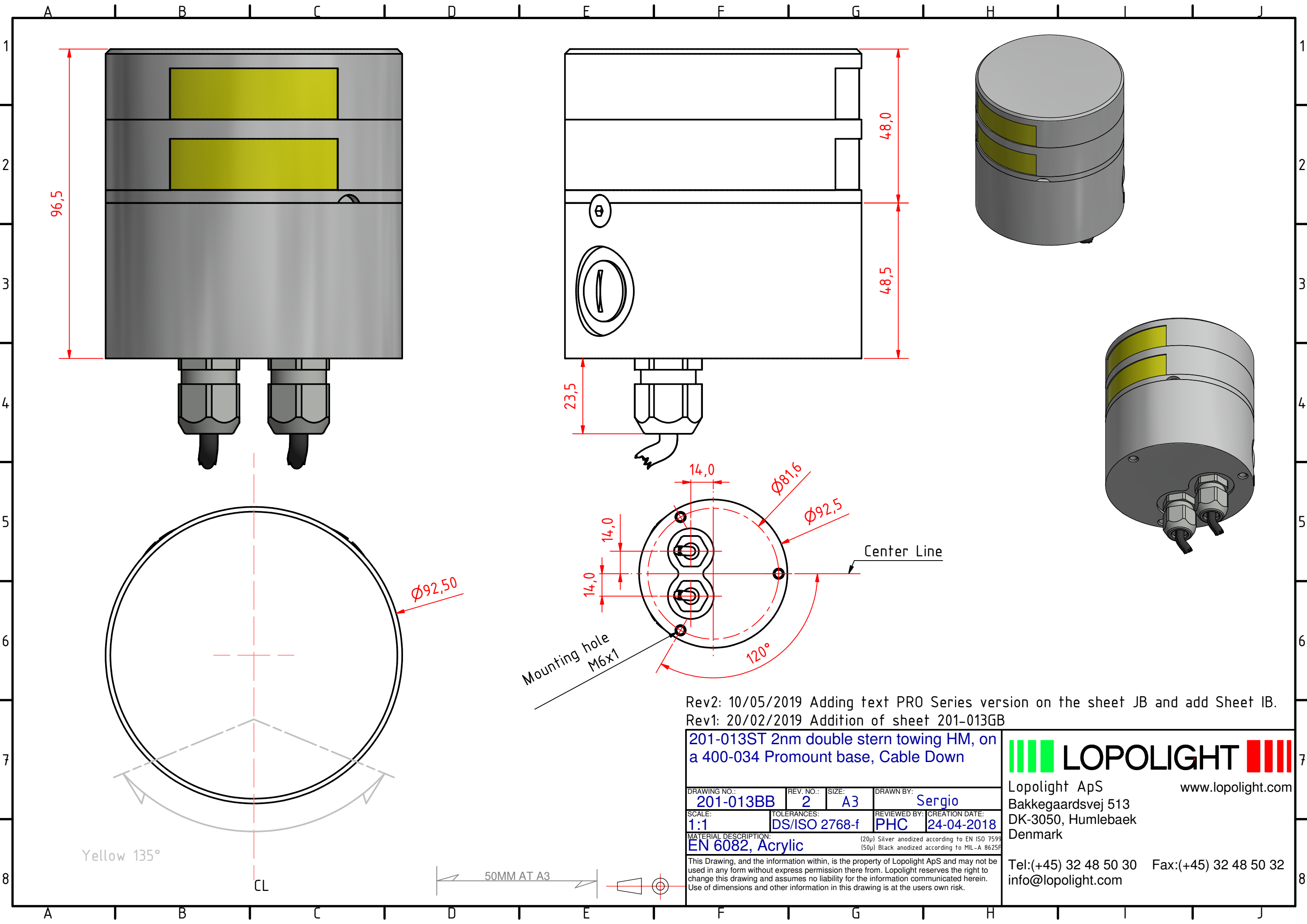
Tel:(+45) 32 48 50 30 Fax:(+45) 32 48 50 32
info@lopolight.com

Yellow 135°

CL

50MM AT A3





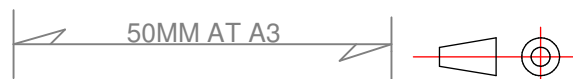
Rev2: 10/05/2019 Adding text PRO Series version on the sheet JB and add Sheet IB.
 Rev1: 20/02/2019 Addition of sheet 201-013GB

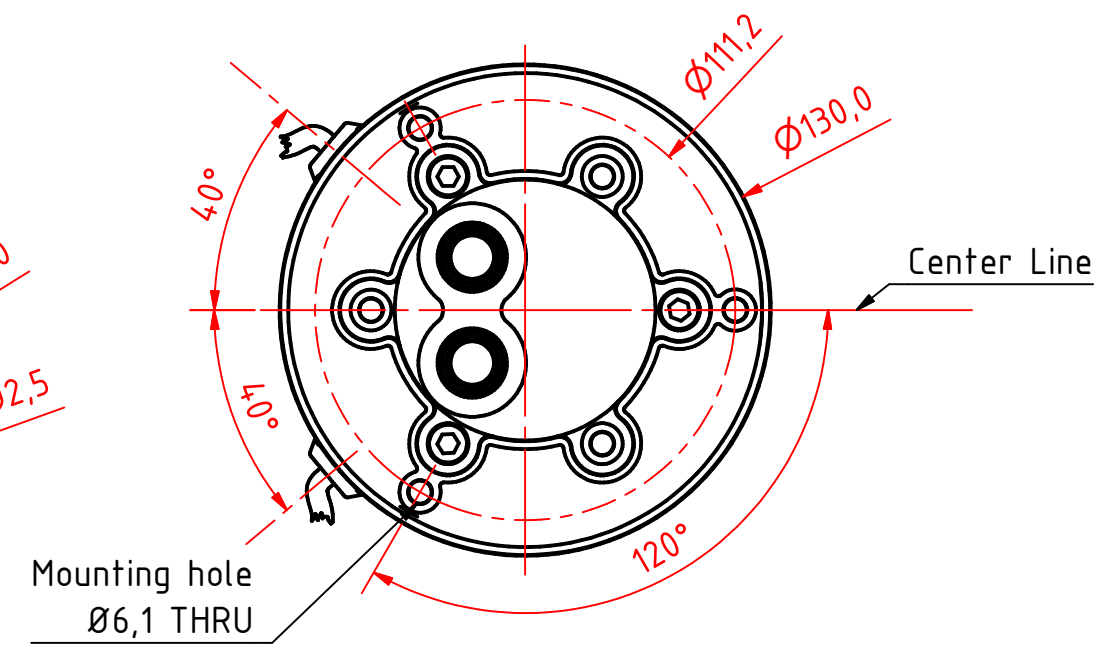
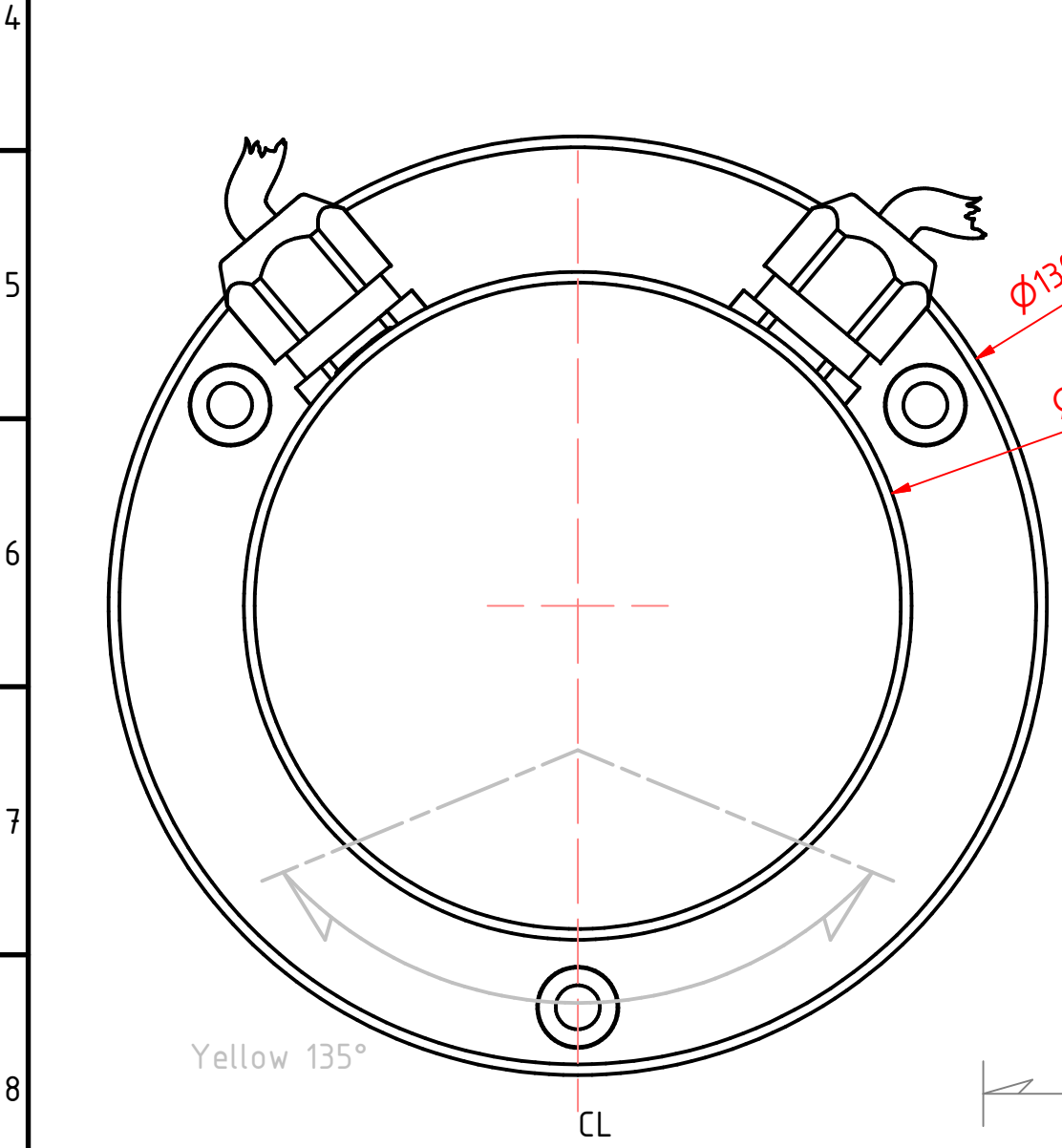
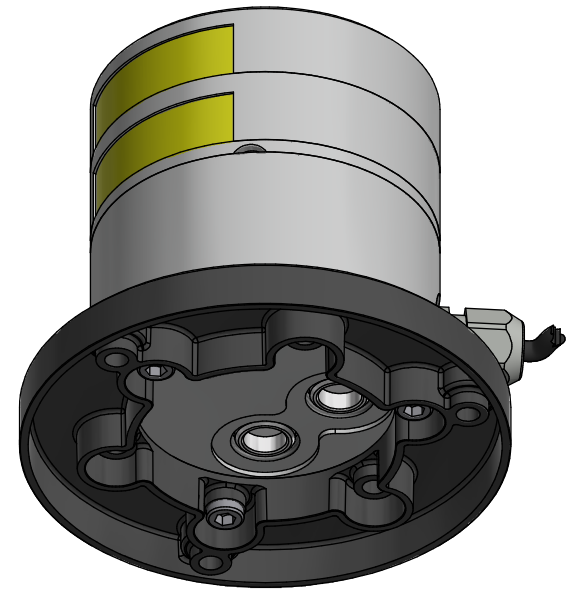
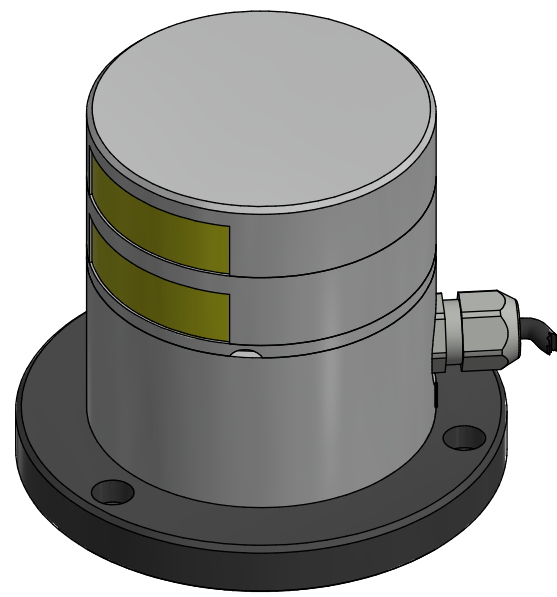
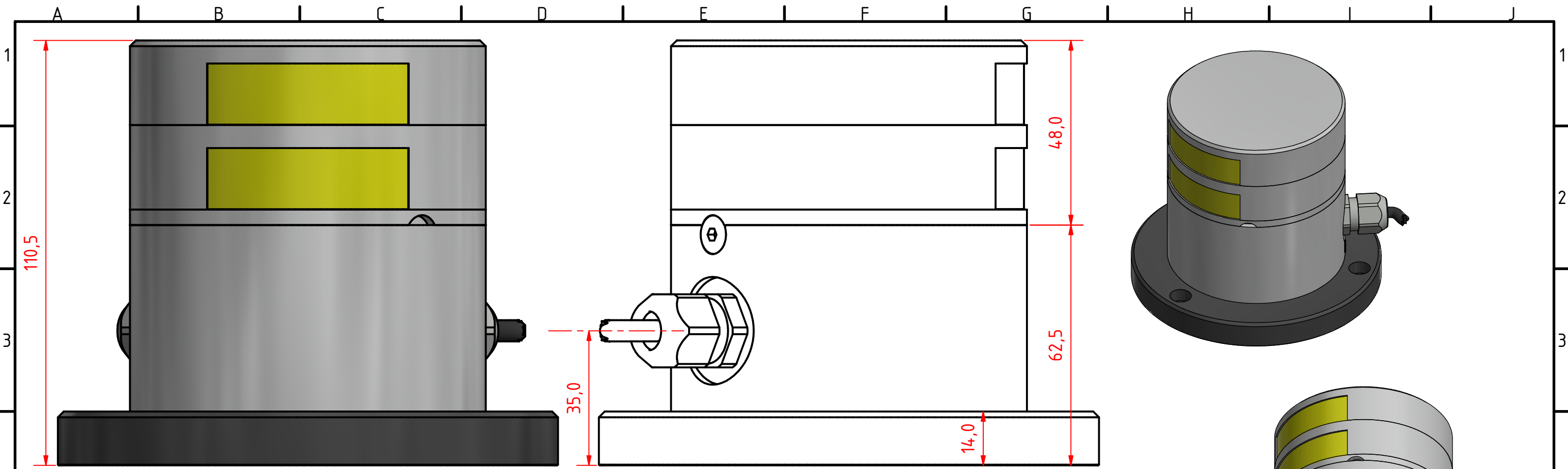
201-013ST 2nm double stern towing HM, on a 400-034 Promount base, Cable Down

DRAWING NO.:	REV. NO.:	SIZE:	DRAWN BY:
201-013BB	2	A3	Sergio
SCALE:	TOLERANCES:	REVIEWED BY:	CREATION DATE:
1:1	DS/ISO 2768-f	PHC	24-04-2018
MATERIAL DESCRIPTION:			
EN 6082, Acrylic			

(20 μ) Silver anodized according to EN ISO 7599
 (50 μ) Black anodized according to MIL-A 8625F
 This Drawing, and the information within, is the property of Lopolight ApS and may not be used in any form without express permission there from. Lopolight reserves the right to change this drawing and assumes no liability for the information communicated herein. Use of dimensions and other information in this drawing is at the users own risk.

LOPOLIGHT
 Lopolight ApS
 Bakkegaardsvej 513
 DK-3050, Humlebaek
 Denmark
 www.lopolight.com
 Tel:(+45) 32 48 50 30 Fax:(+45) 32 48 50 32
 info@lopolight.com



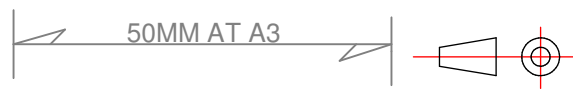


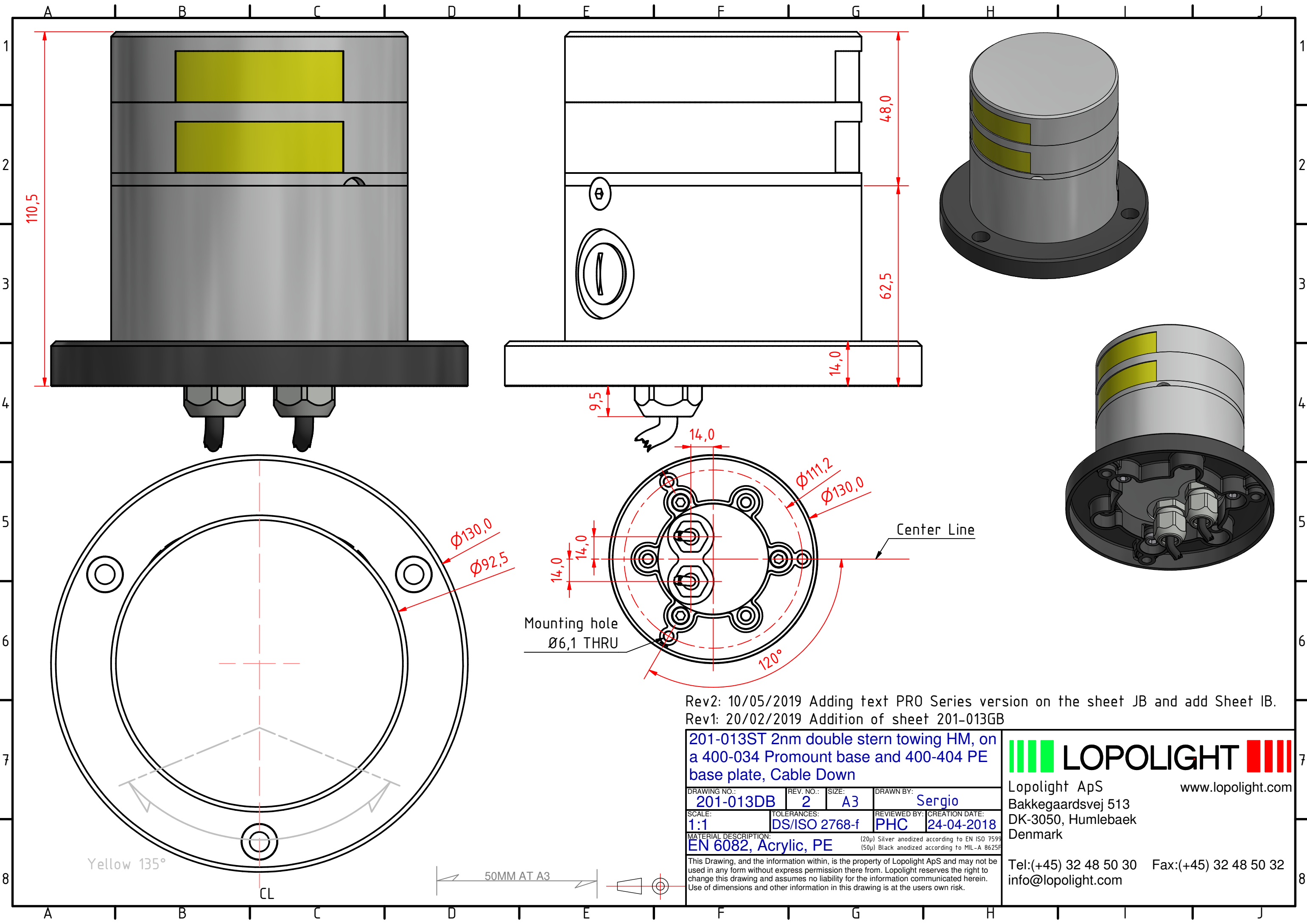
Rev2: 10/05/2019 Adding text PRO Series version on the sheet JB and add Sheet IB.
 Rev1: 20/02/2019 Addition of sheet 201-013GB

201-013ST 2nm double stern towing HM, on a 400-034 Promount base and 400-404 PE base plate, Cable Side

DRAWING NO.:	REV. NO.:	SIZE:	DRAWN BY:
201-013CB	2	A3	Sergio
SCALE:	TOLERANCES:	REVIEWED BY:	CREATION DATE:
1:1	DS/ISO 2768-f	PHC	24-04-2018
MATERIAL DESCRIPTION:			
EN 6082, Acrylic, PE (20µ) Silver anodized according to EN ISO 7599 (50µ) Black anodized according to MIL-A 8625F			
This Drawing, and the information within, is the property of Lopolight ApS and may not be used in any form without express permission there from. Lopolight reserves the right to change this drawing and assumes no liability for the information communicated herein. Use of dimensions and other information in this drawing is at the users own risk.			

LOPOLIGHT
 Lopolight ApS
 Bakkegaardsvej 513
 DK-3050, Humlebaek
 Denmark
 www.lopolight.com
 Tel:(+45) 32 48 50 30 Fax:(+45) 32 48 50 32
 info@lopolight.com





Rev2: 10/05/2019 Adding text PRO Series version on the sheet JB and add Sheet IB.
 Rev1: 20/02/2019 Addition of sheet 201-013GB

201-013ST 2nm double stern towing HM, on a 400-034 Promount base and 400-404 PE base plate, Cable Down

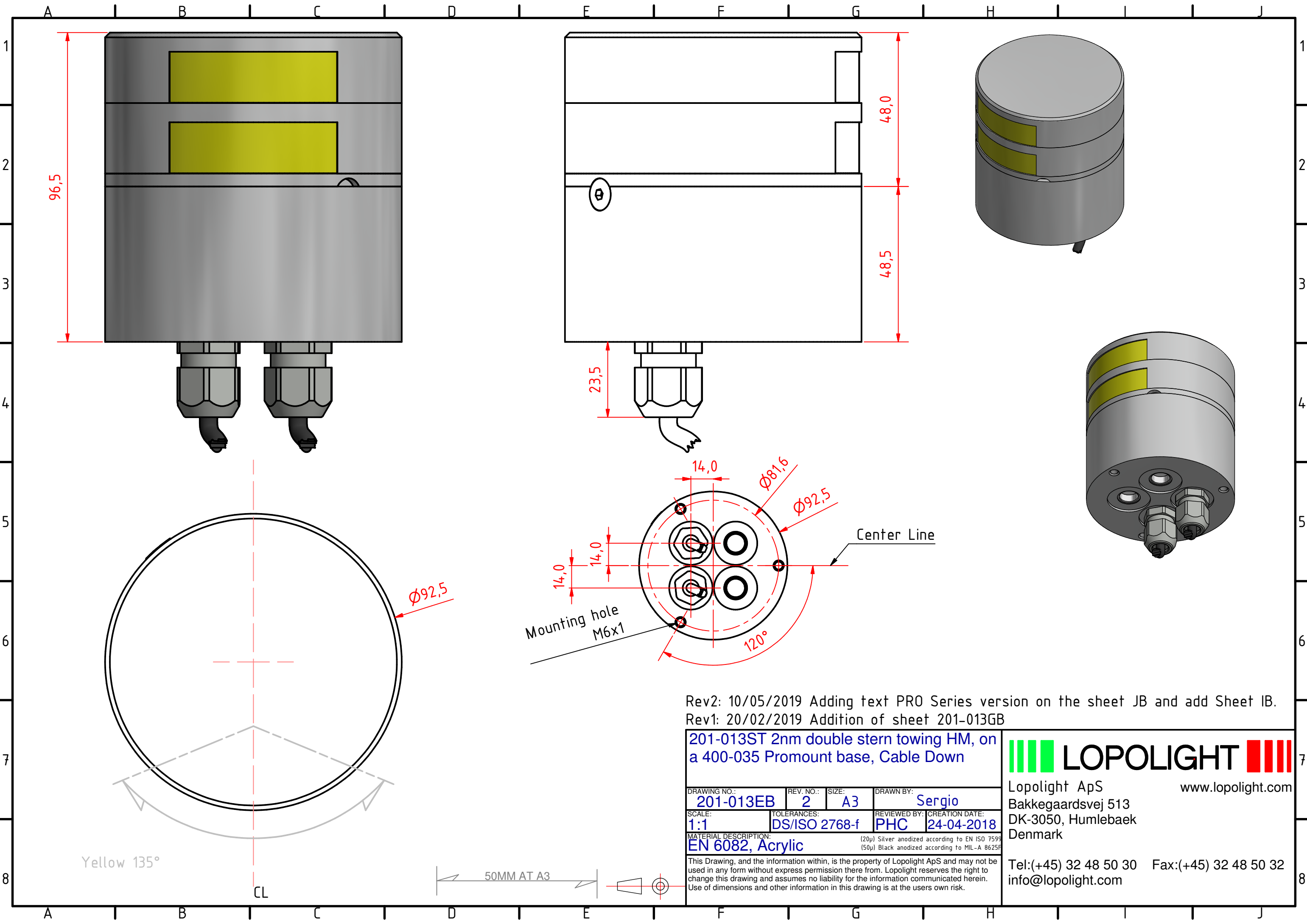
DRAWING NO.:	REV. NO.:	SIZE:	DRAWN BY:
201-013DB	2	A3	Sergio
SCALE:	TOLERANCES:	REVIEWED BY:	CREATION DATE:
1:1	DS/ISO 2768-f	PHC	24-04-2018

MATERIAL DESCRIPTION:
EN 6082, Acrylic, PE (20µ) Silver anodized according to EN ISO 7599 (50µ) Black anodized according to MIL-A 8625F

This Drawing, and the information within, is the property of Lopolight ApS and may not be used in any form without express permission there from. Lopolight reserves the right to change this drawing and assumes no liability for the information communicated herein. Use of dimensions and other information in this drawing is at the users own risk.

LOPOLIGHT
 Lopolight ApS
 Bakkegaardsvej 513
 DK-3050, Humlebaek
 Denmark
 www.lopolight.com
 Tel:(+45) 32 48 50 30 Fax:(+45) 32 48 50 32
 info@lopolight.com

50MM AT A3



Rev2: 10/05/2019 Adding text PRO Series version on the sheet JB and add Sheet IB.
 Rev1: 20/02/2019 Addition of sheet 201-013GB

201-013ST 2nm double stern towing HM, on a 400-035 Promount base, Cable Down

DRAWING NO.:	REV. NO.:	SIZE:	DRAWN BY:
201-013EB	2	A3	Sergio
SCALE:	TOLERANCES:	REVIEWED BY:	CREATION DATE:
1:1	DS/ISO 2768-f	PHC	24-04-2018

MATERIAL DESCRIPTION:
EN 6082, Acrylic (20µ) Silver anodized according to EN ISO 7599
 (50µ) Black anodized according to MIL-A 8625F

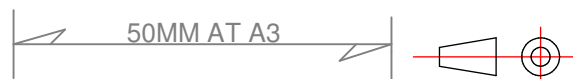
This Drawing, and the information within, is the property of Lopolight ApS and may not be used in any form without express permission there from. Lopolight reserves the right to change this drawing and assumes no liability for the information communicated herein. Use of dimensions and other information in this drawing is at the users own risk.



Lopolight ApS
 Bakkegaardsvej 513
 DK-3050, Humlebaek
 Denmark

Tel:(+45) 32 48 50 30 Fax:(+45) 32 48 50 32
 info@lopolight.com

www.lopolight.com

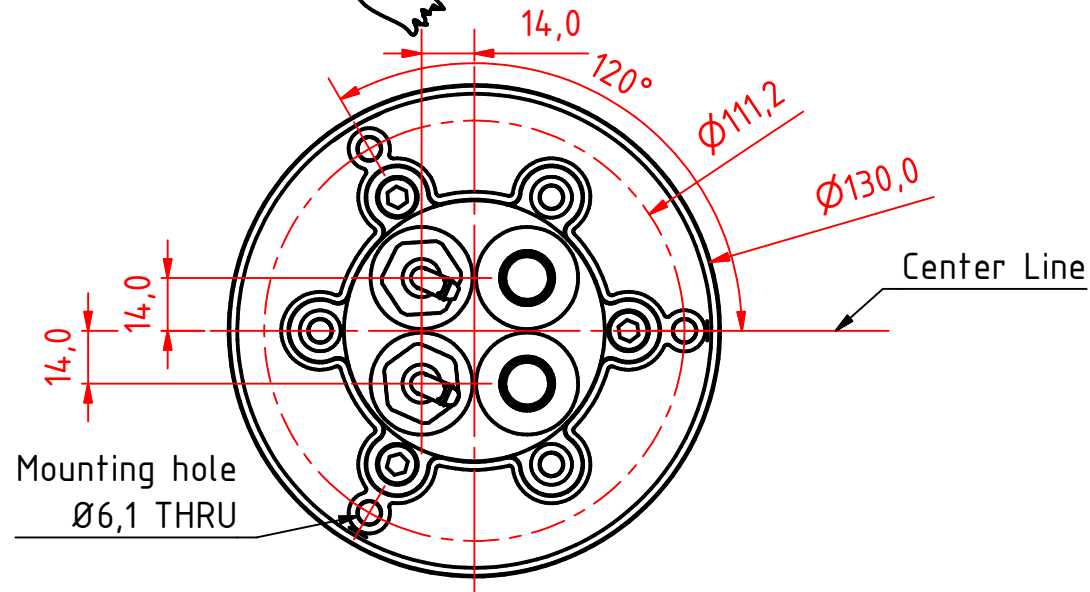
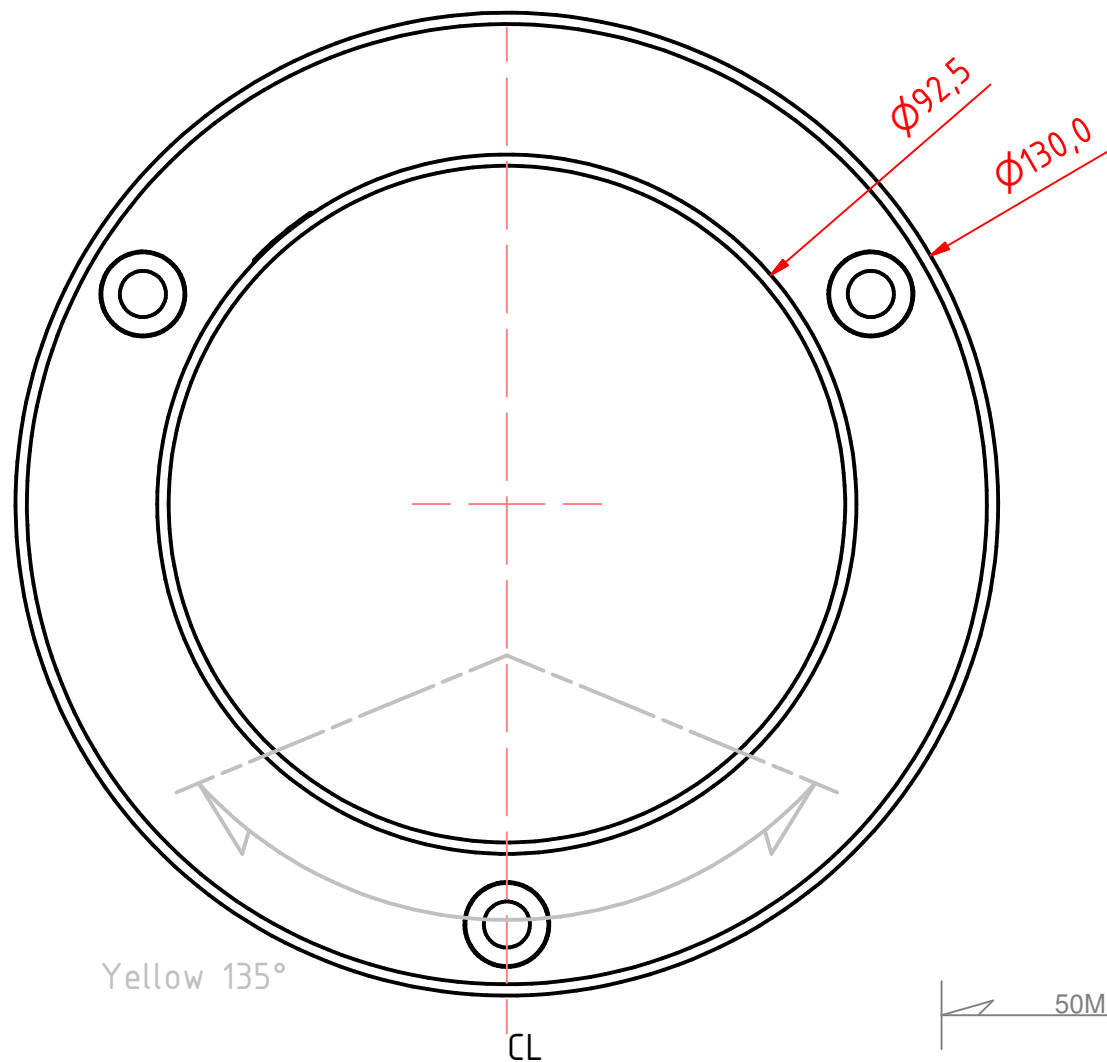
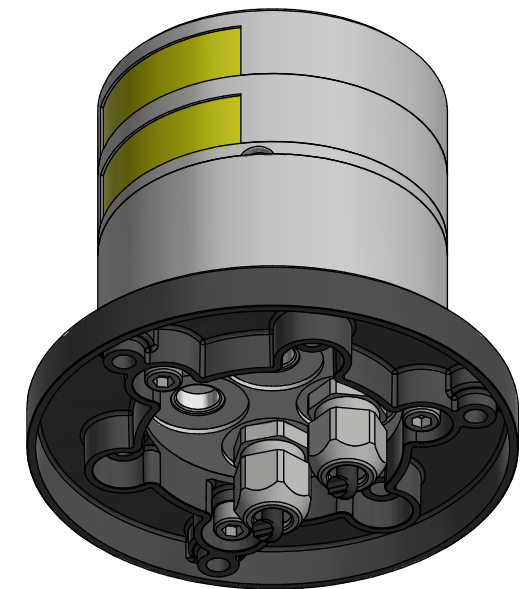
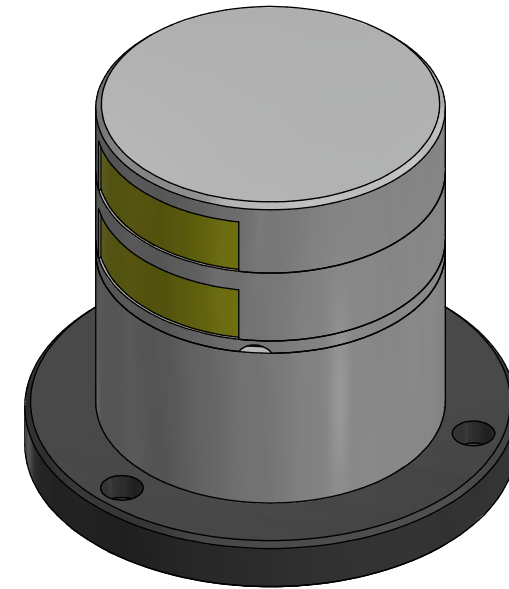
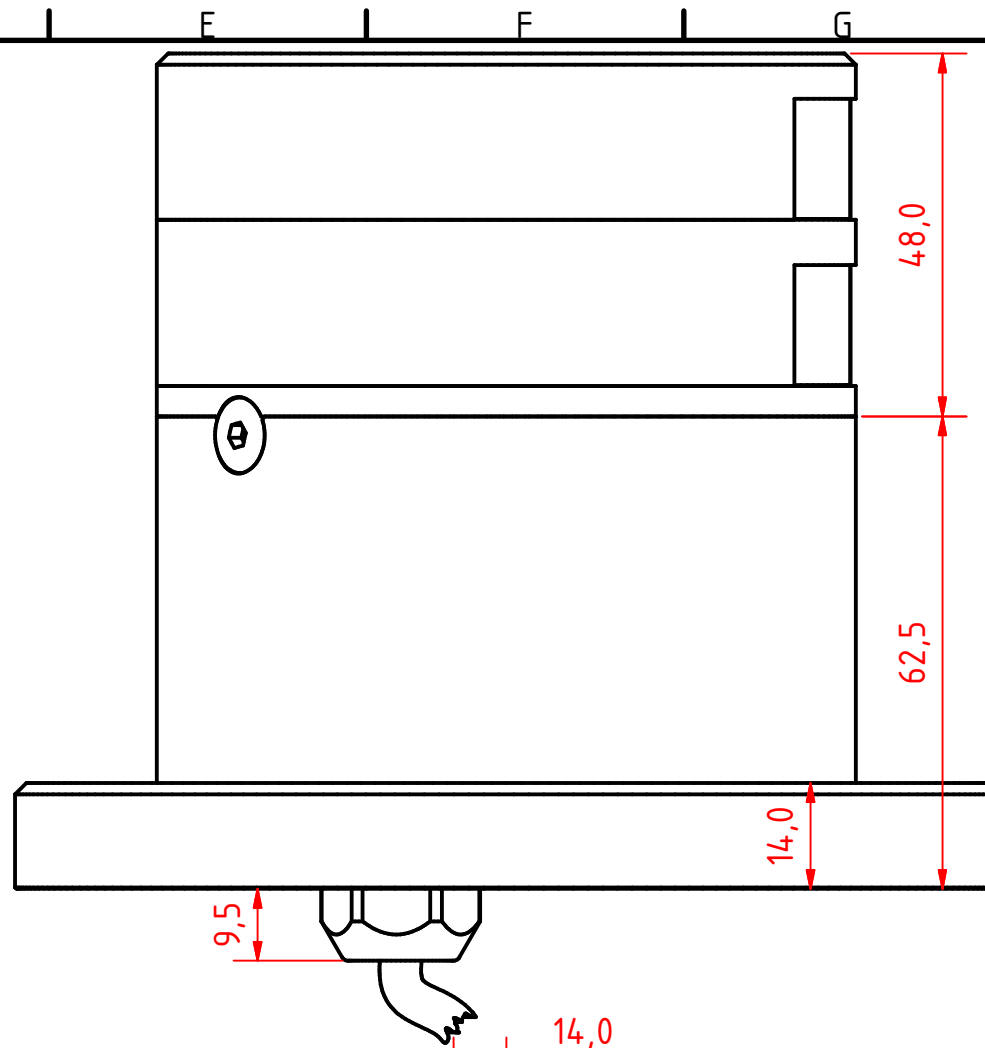
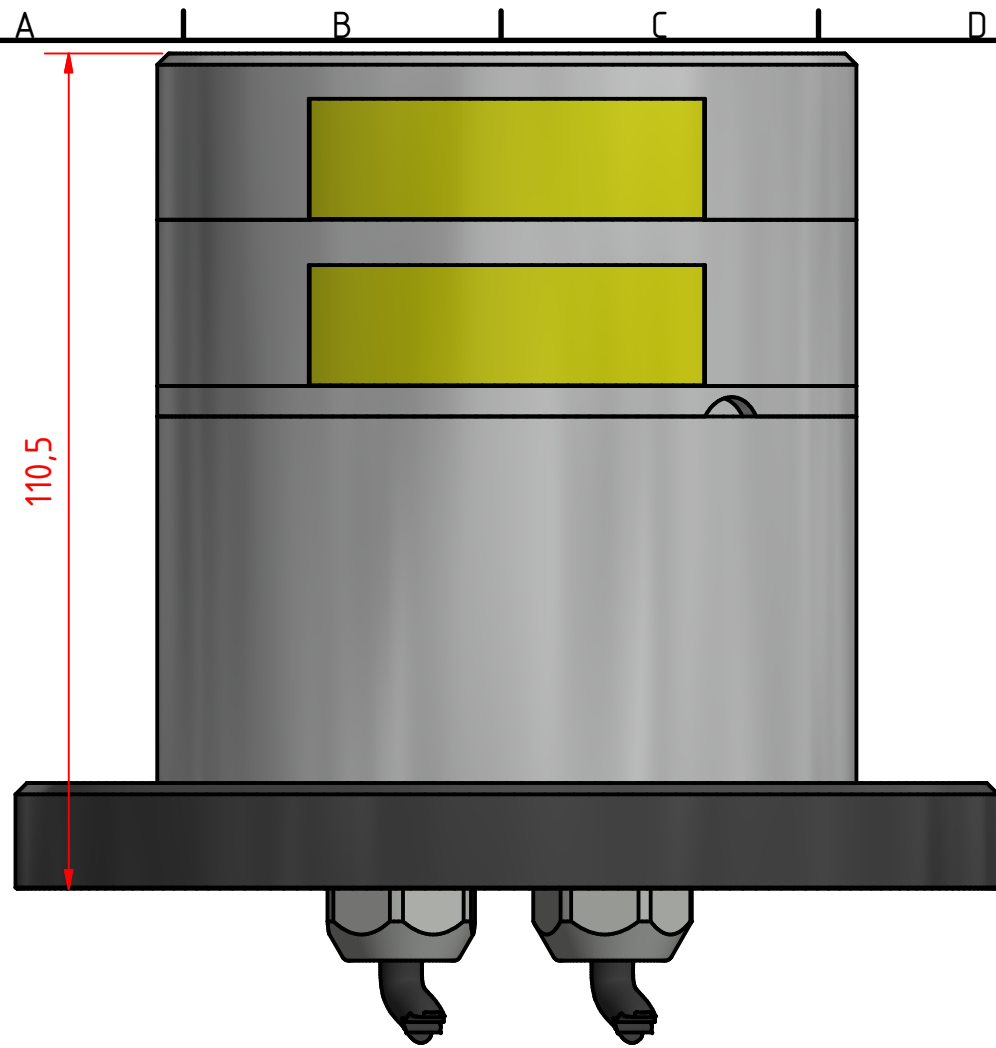


Yellow 135°

CL

Center Line

Mounting hole M6x1



Rev2: 10/05/2019 Adding text PRO Series version on the sheet JB and add Sheet IB.
 Rev1: 20/02/2019 Addition of sheet 201-013GB

201-013ST 2nm double stern towing HM, on a 400-035 Promount base and 400-404 base plate, Cable Down

DRAWING NO.:	REV. NO.:	SIZE:	DRAWN BY:
201-013FB	2	A3	Sergio
SCALE:	TOLERANCES:	REVIEWED BY:	CREATION DATE:
1:1	DS/ISO 2768-f	PHC	24-04-2018

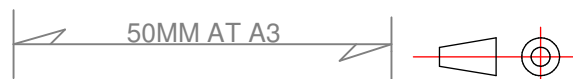
MATERIAL DESCRIPTION:
 EN 6082, Acrylic, PE (20μ) Silver anodized according to EN ISO 7599 (50μ) Black anodized according to MIL-A 8625F

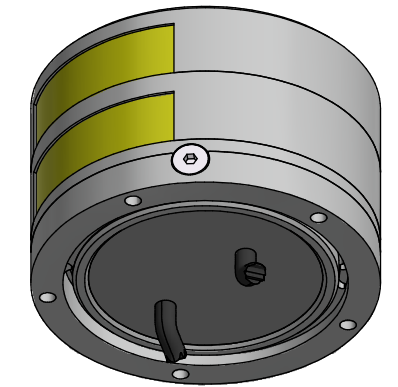
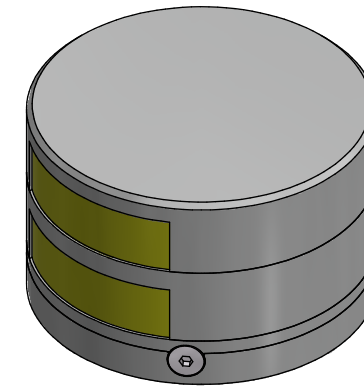
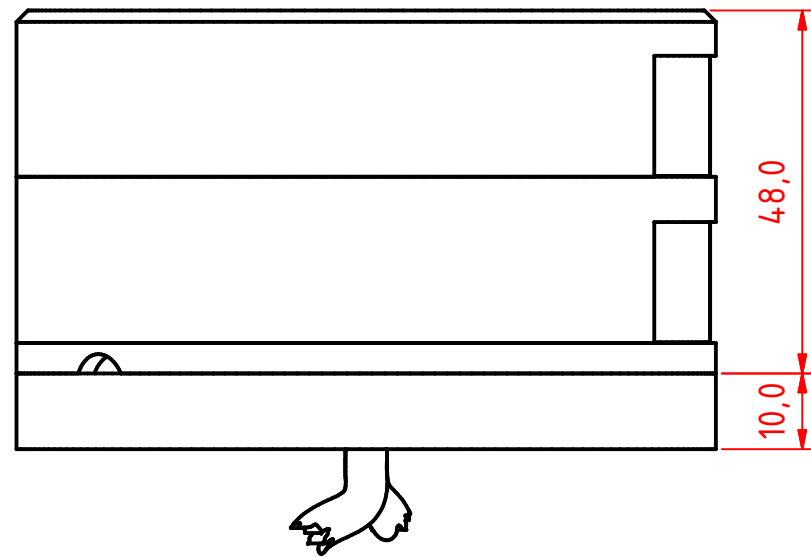
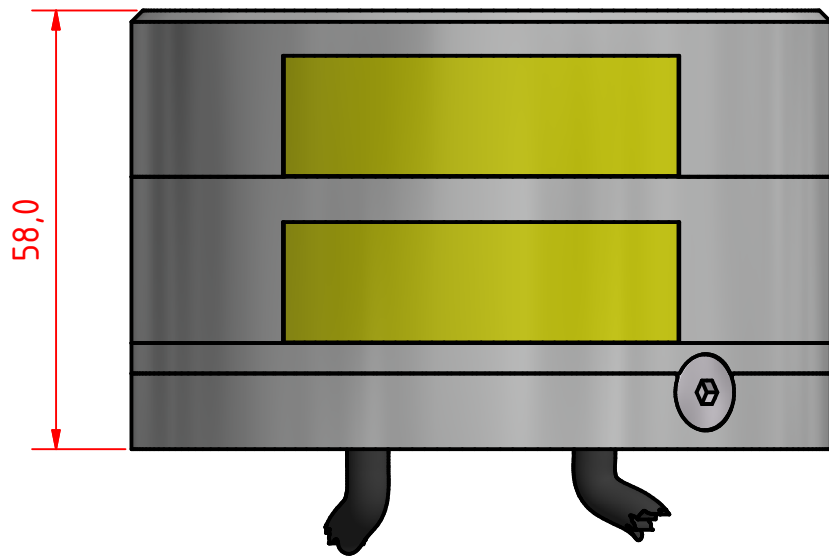
This Drawing, and the information within, is the property of Lopolight ApS and may not be used in any form without express permission there from. Lopolight reserves the right to change this drawing and assumes no liability for the information communicated herein. Use of dimensions and other information in this drawing is at the users own risk.



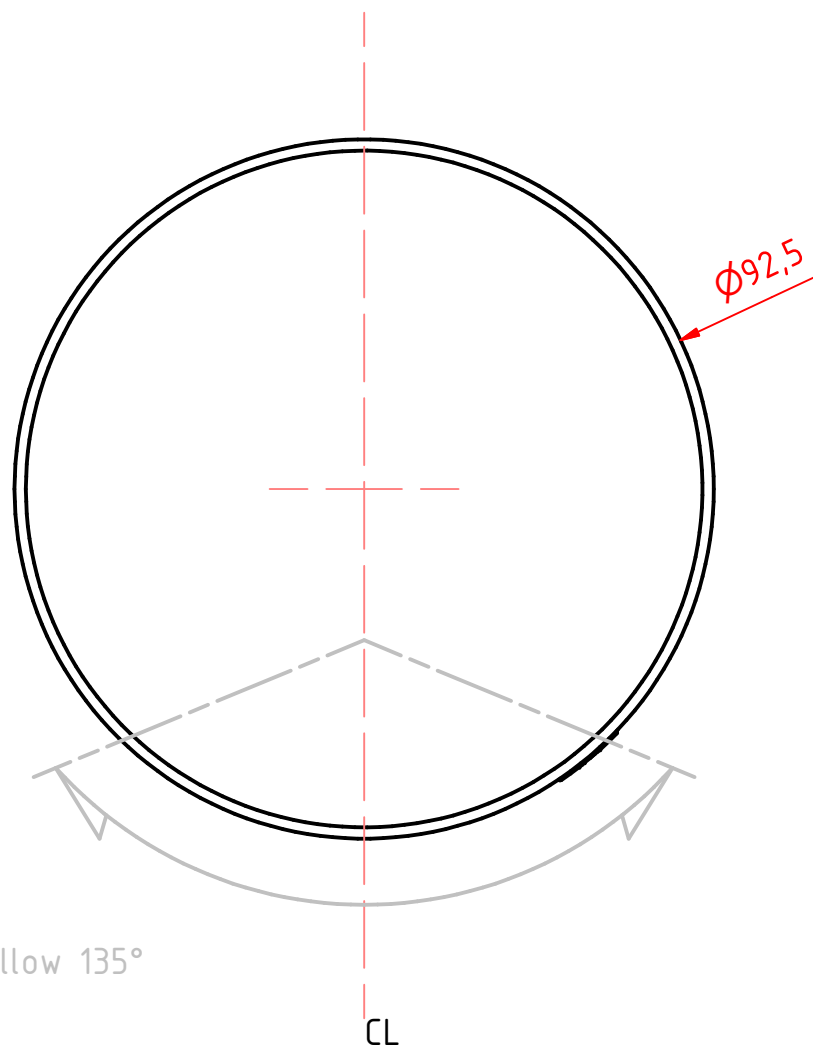
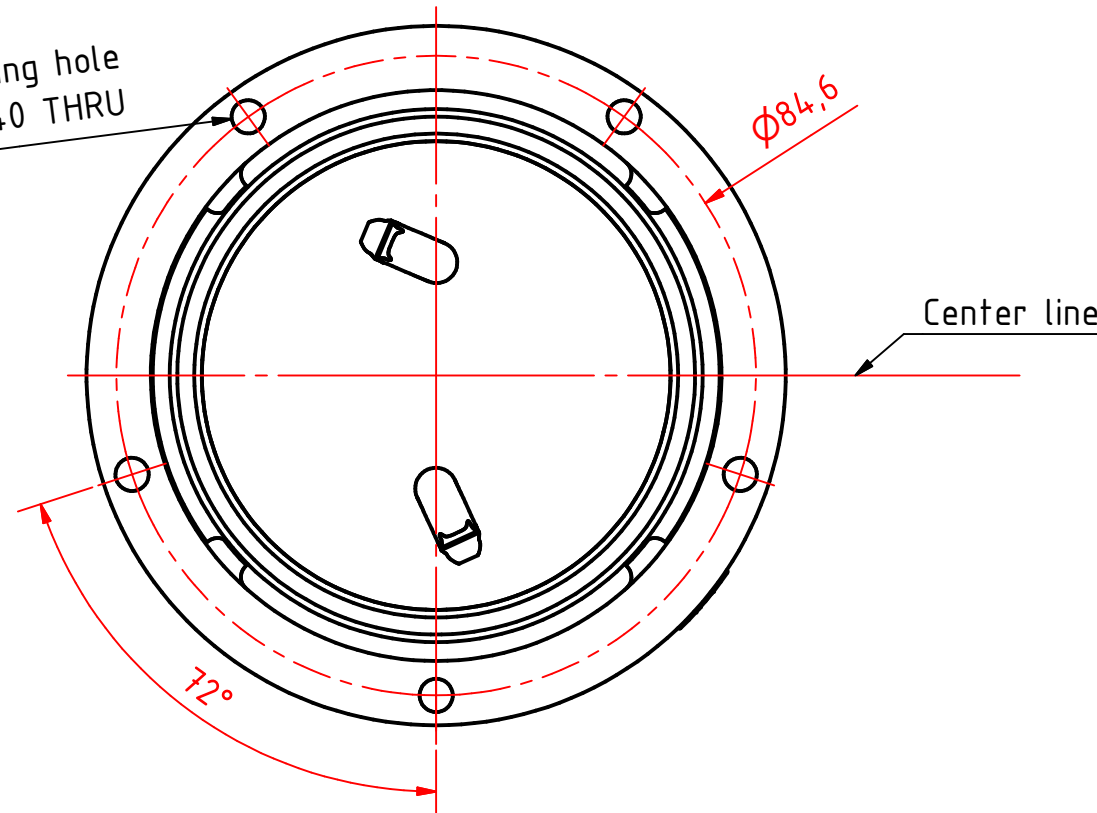
Lopolight ApS
 Bakkegaardsvej 513
 DK-3050, Humlebaek
 Denmark
www.lopolight.com

Tel:(+45) 32 48 50 30 Fax:(+45) 32 48 50 32
info@lopolight.com





Mounting hole
 $\varnothing 4,40$ THRU



Rev2: 10/05/2019 Adding text PRO Series version on the sheet JB and add Sheet IB.
 Rev1: 20/02/2019 Addition of sheet 201-013GB

201-013ST 2nm double stern towing HM, on a 400-036 Ultra Low profile base

DRAWING NO.: 201-013IB	REV. NO.: 2	SIZE: A3	DRAWN BY: Sergio
SCALE: 1:1	TOLERANCES: DS/ISO 2768-f	REVIEWED BY: PHC	CREATION DATE: 24-04-2018

MATERIAL DESCRIPTION:
EN 6082, Acrylic (20 μ) Silver anodized according to EN ISO 7599
 (50 μ) Black anodized according to MIL-A 8625F

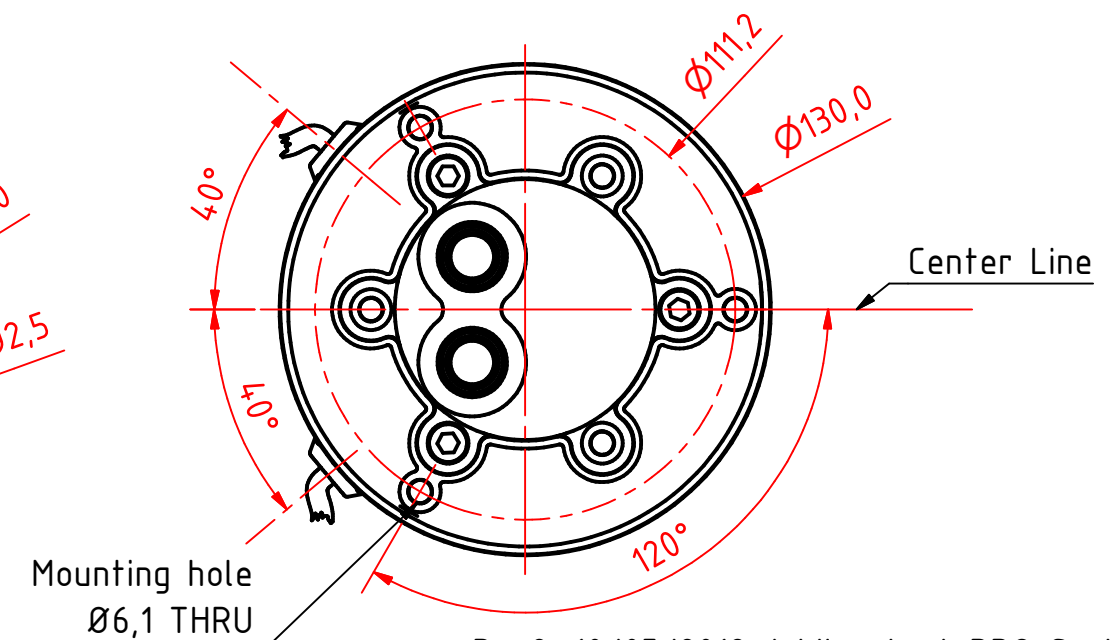
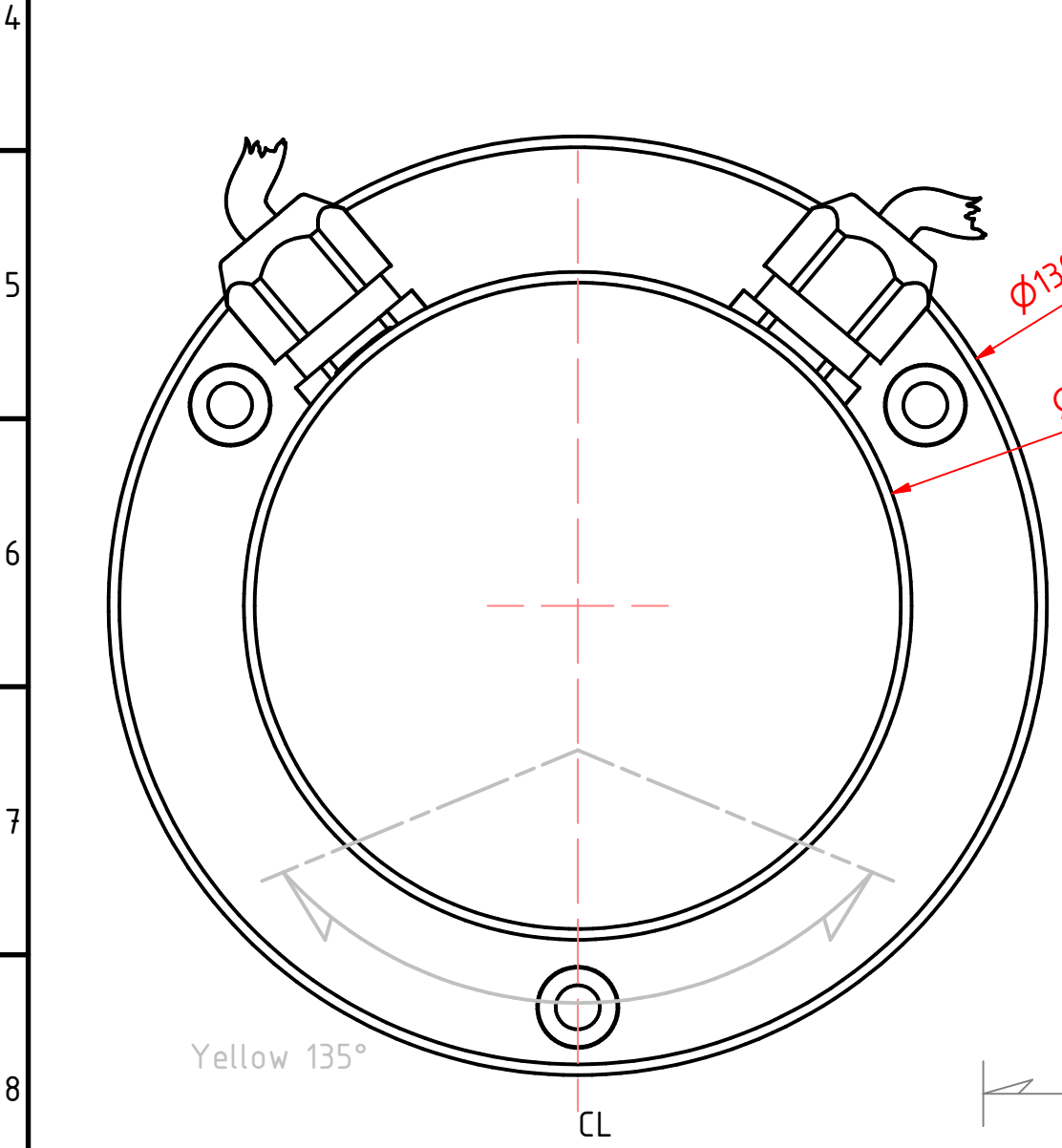
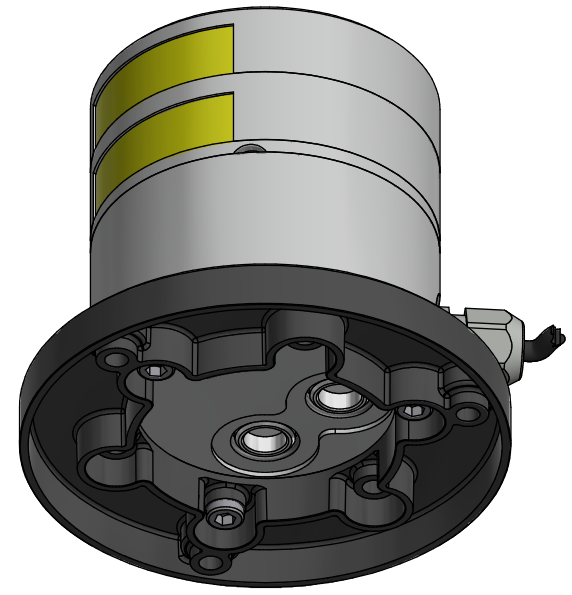
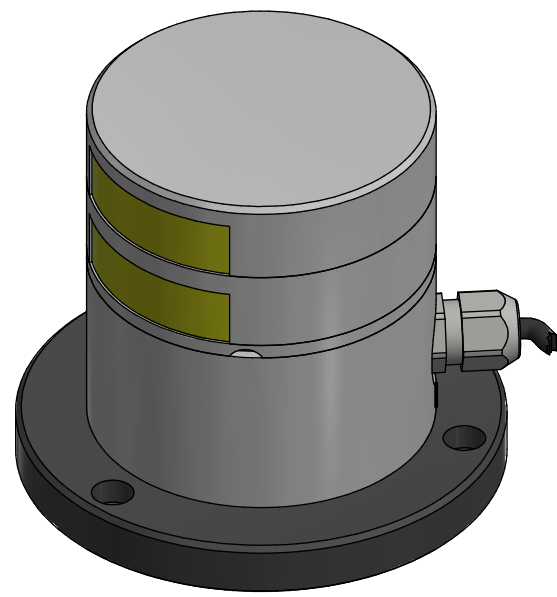
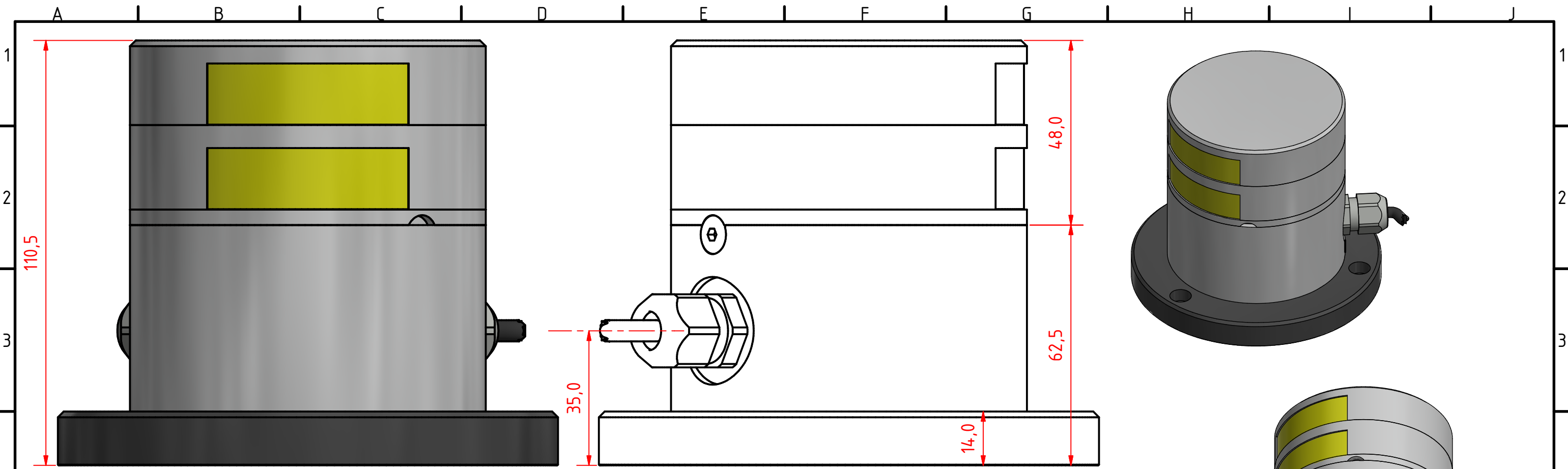
This Drawing, and the information within, is the property of Lopolight ApS and may not be used in any form without express permission there from. Lopolight reserves the right to change this drawing and assumes no liability for the information communicated herein. Use of dimensions and other information in this drawing is at the users own risk.



Lopolight ApS www.lopolight.com
 Bakkegaardsvej 513
 DK-3050, Humlebaek
 Denmark

Tel:(+45) 32 48 50 30 Fax:(+45) 32 48 50 32
 info@lopolight.com





Rev2: 10/05/2019 Adding text PRO Series version on the sheet JB and add Sheet IB.
 Rev1: 20/02/2019 Addition of sheet 201-013GB

201-013ST 2nm double stern towing HM, on a 400-034 Promount base PRO Series version and 400-404 PE base plate, C. Side			
DRAWING NO.:	REV. NO.:	SIZE:	DRAWN BY:
201-013JB	2	A3	Sergio
SCALE:	TOLERANCES:	REVIEWED BY:	CREATION DATE:
1:1	DS/ISO 2768-f	PHC	24-04-2018
MATERIAL DESCRIPTION:			
EN 6082, Acrylic, PE (20μ) Silver anodized according to EN ISO 7599 (50μ) Black anodized according to MIL-A 8625F			

LOPOLIGHT
 Lopolight ApS
 Bakkegaardsvej 513
 DK-3050, Humlebaek
 Denmark
www.lopolight.com

This Drawing, and the information within, is the property of Lopolight ApS and may not be used in any form without express permission there from. Lopolight reserves the right to change this drawing and assumes no liability for the information communicated herein. Use of dimensions and other information in this drawing is at the users own risk.

Tel:(+45) 32 48 50 30 Fax:(+45) 32 48 50 32
 info@lopolight.com

