

Rev2 22/05/2019: Remove the lights GA (PE base) & IA (Ultra Low Base)
 Rev1 10/05/2019: Delete the sheet HA and add a new Sheet JA PRO Series.

301-005 2nm stern light HM, on a 400-034 Promount base, Cable Side

DRAWING NO.:	REV. NO.:	SIZE:	DRAWN BY:
301-005AA	2	A3	Sergio
SCALE:	TOLERANCES:	REVIEWED BY:	CREATION DATE:
1:1	DS/ISO 2768-f	PHC	24-04-2018

MATERIAL DESCRIPTION:
 EN 6082, Acrylic (20µ) Silver anodized according to EN ISO 7599
 (50µ) Black anodized according to MIL-A 8625F

This Drawing, and the information within, is the property of Lopolight ApS and may not be used in any form without express permission there from. Lopolight reserves the right to change this drawing and assumes no liability for the information communicated herein. Use of dimensions and other information in this drawing is at the users own risk.



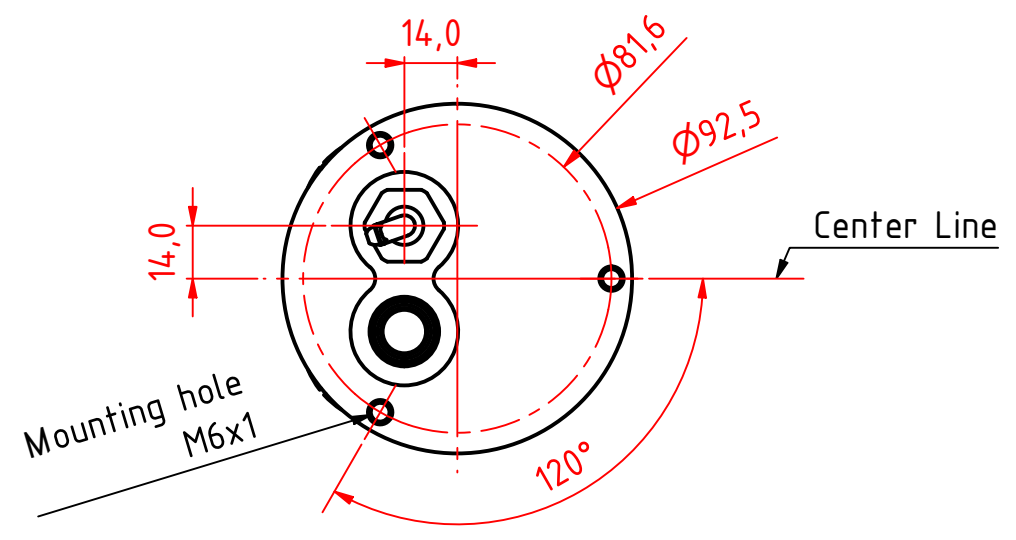
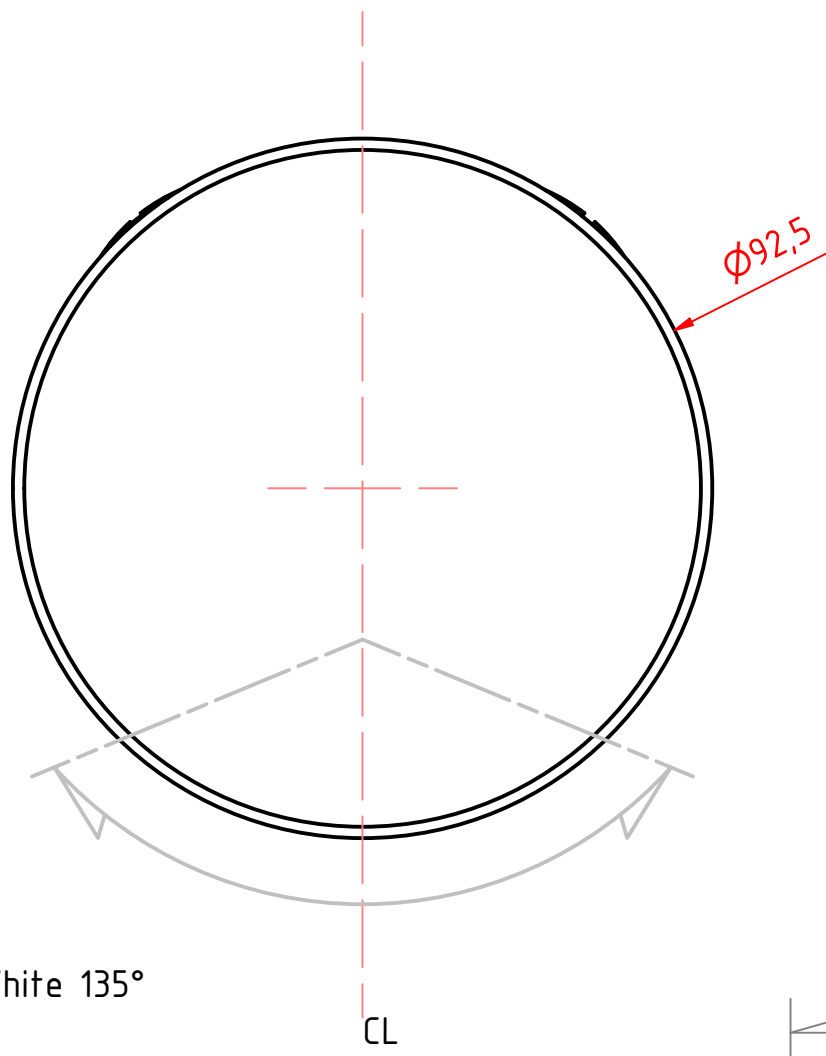
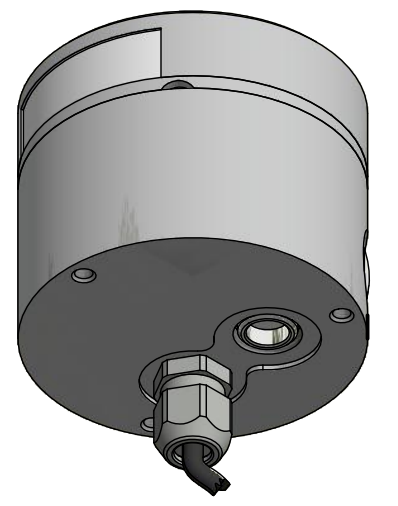
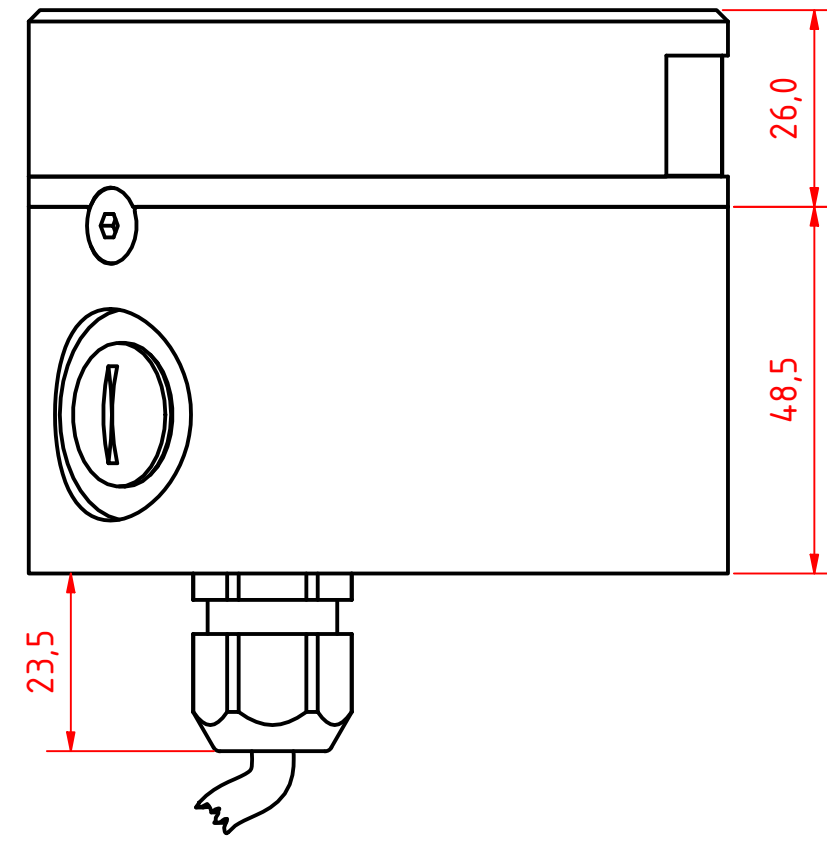
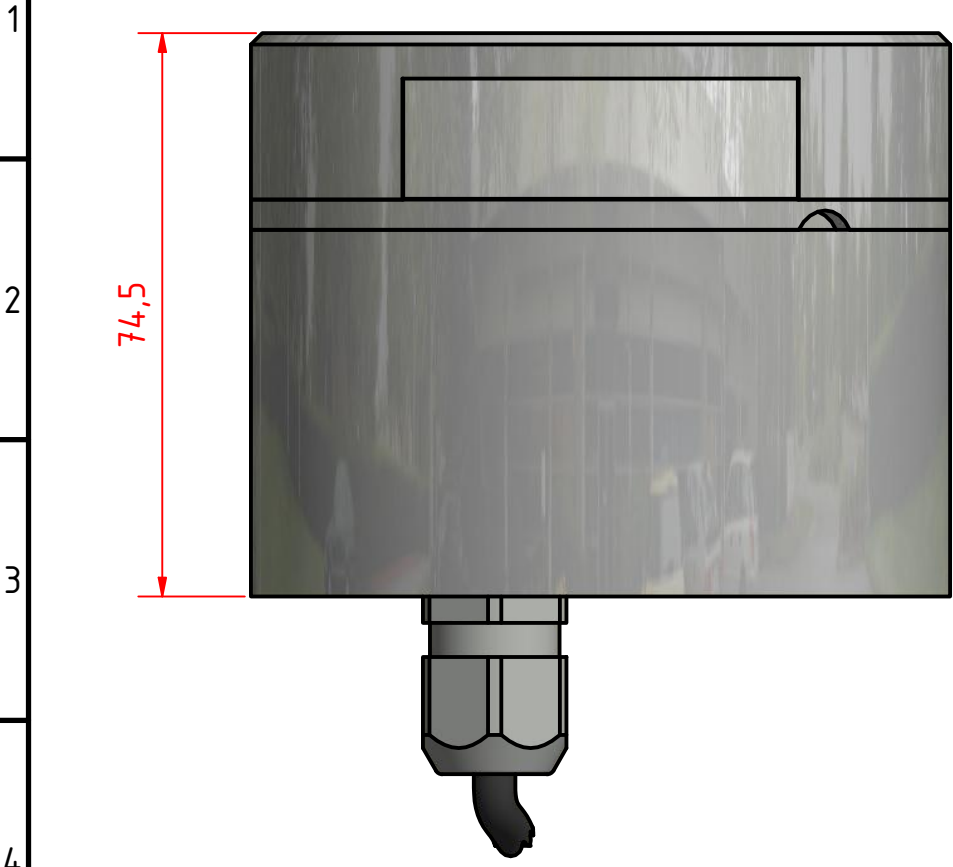
Lopolight ApS www.lopolight.com
 Bakkegaardsvej 513
 DK-3050, Humlebaek
 Denmark

Tel:(+45) 32 48 50 30 Fax:(+45) 32 48 50 32
 info@lopolight.com

50MM AT A3



A B C D E F G H I J



Rev2 22/05/2019: Remove the lights GA (PE base) & IA (Ultra Low Base)
 Rev1 10/05/2019: Delete the sheet HA and add a new Sheet JA PRO Series.

301-005 2nm stern light HM, on a 400-034 Promount base, Cable Down

DRAWING NO.: 301-005BA	REV. NO.: 2	SIZE: A3	DRAWN BY: Sergio
SCALE: 1:1	TOLERANCES: DS/ISO 2768-f	REVIEWED BY: PHC	CREATION DATE: 24-04-2018
MATERIAL DESCRIPTION: EN 6082, Acrylic			

This Drawing, and the information within, is the property of Lopolight ApS and may not be used in any form without express permission there from. Lopolight reserves the right to change this drawing and assumes no liability for the information communicated herein. Use of dimensions and other information in this drawing is at the users own risk.

LOPOLIGHT
 Lopolight ApS
 Bakkegaardsvej 513
 DK-3050, Humlebaek
 Denmark
 www.lopolight.com
 Tel:(+45) 32 48 50 30 Fax:(+45) 32 48 50 32
 info@lopolight.com



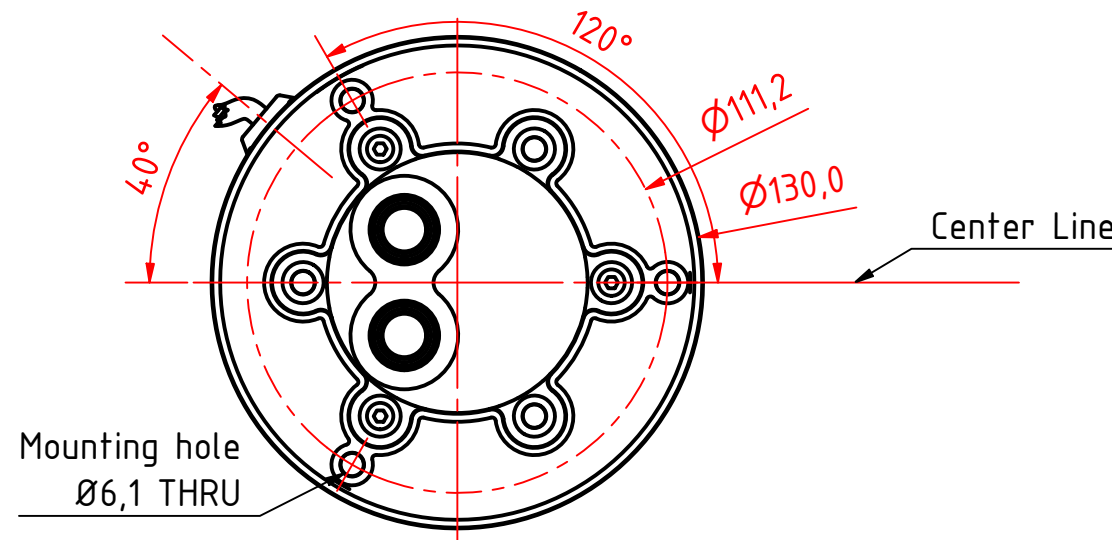
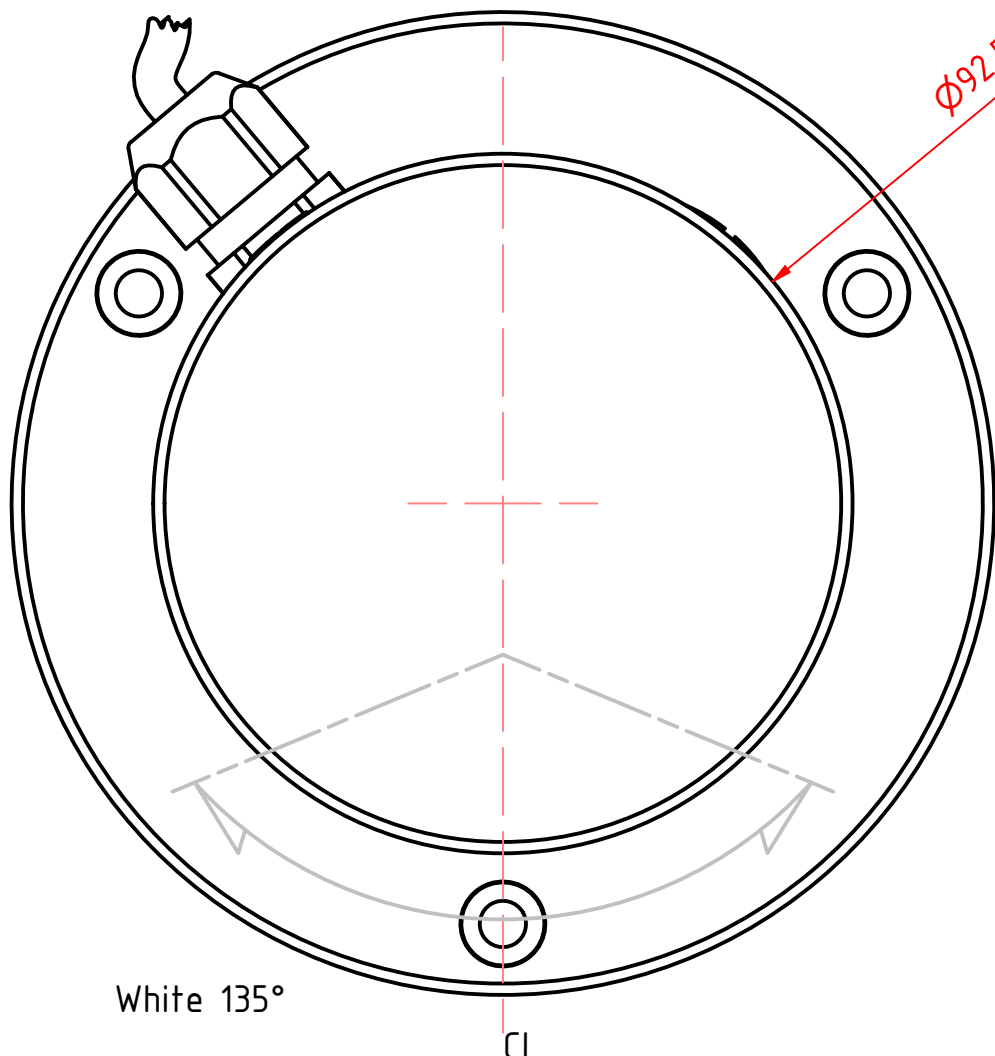
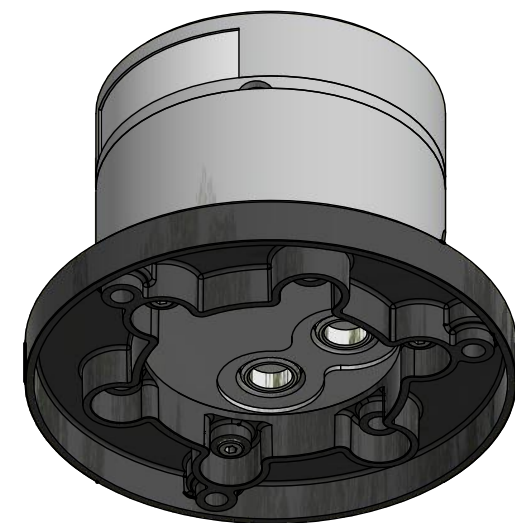
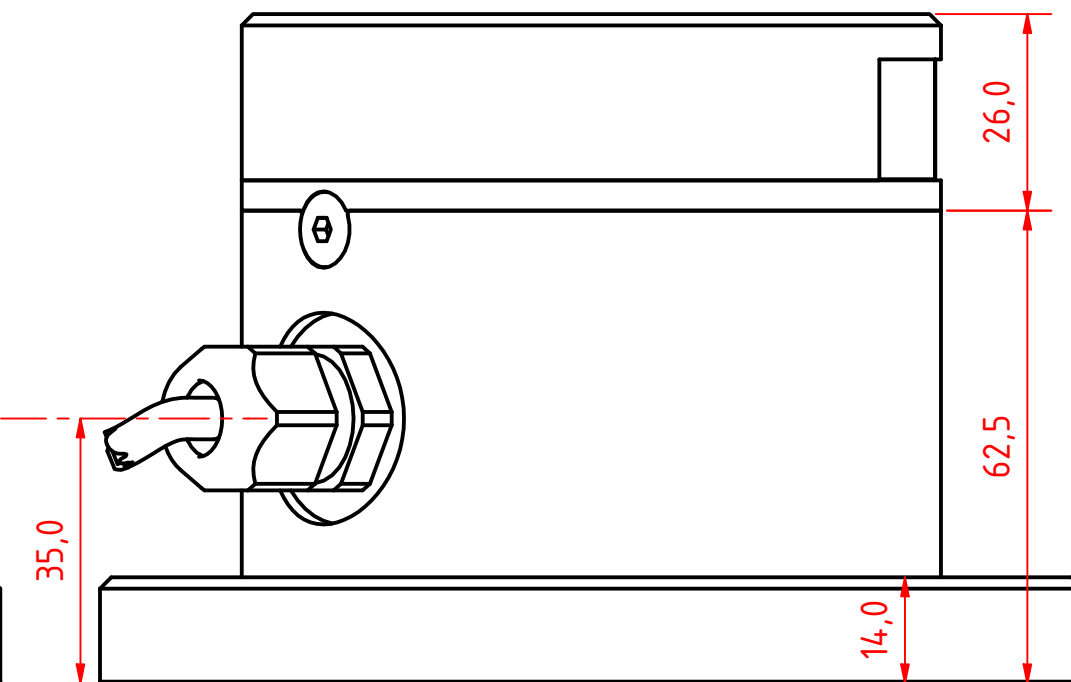
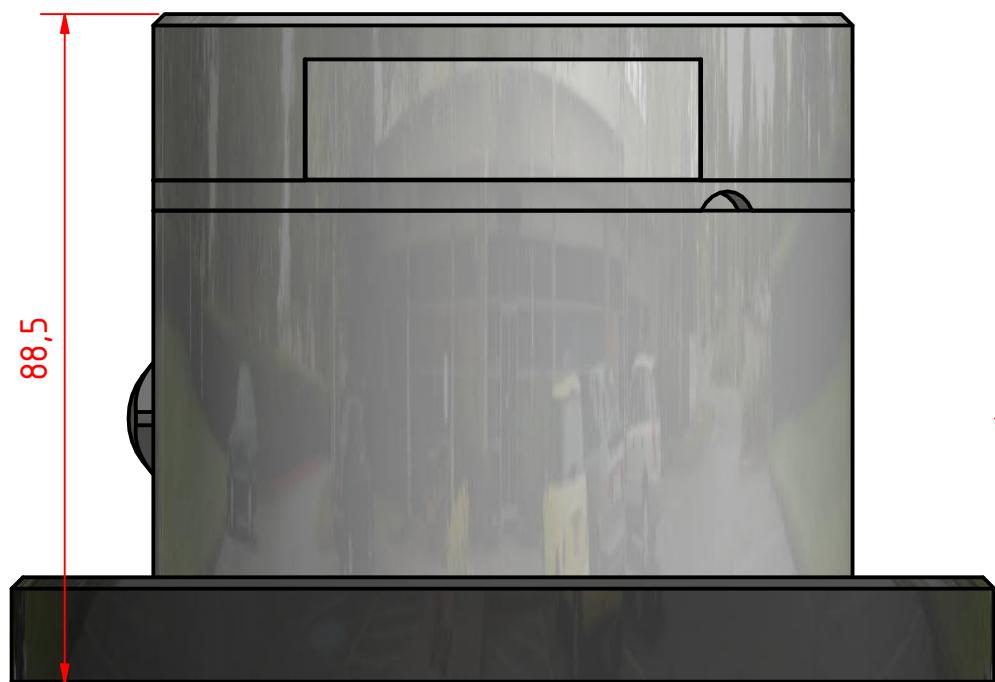
8

8

A B C D E F G H I J

A | B | C | D | E | F | G | H | I | J

1
2
3
4
5
6
7
8



Rev2 22/05/2019: Remove the lights GA (PE base) & IA (Ultra Low Base)
 Rev1 10/05/2019: Delete the sheet HA and add a new Sheet JA PRO Series.

301-005 2nm stern light HM, on a 400-034 Promount base and 400-404 PE base plate, Cable Side

DRAWING NO.: 301-005CA	REV. NO.: 2	SIZE: A3	DRAWN BY: Sergio
SCALE: 1:1	TOLERANCES: DS/ISO 2768-f	REVIEWED BY: PHC	CREATION DATE: 24-04-2018
MATERIAL DESCRIPTION: EN 6082, Acrylic, PE			

(20µ) Silver anodized according to EN ISO 7599
 (50µ) Black anodized according to MIL-A 8625F
 This Drawing, and the information within, is the property of Lopolight ApS and may not be used in any form without express permission there from. Lopolight reserves the right to change this drawing and assumes no liability for the information communicated herein. Use of dimensions and other information in this drawing is at the users own risk.



Lopolight ApS
 Bakkegaardsvej 513
 DK-3050, Humlebaek
 Denmark
www.lopolight.com

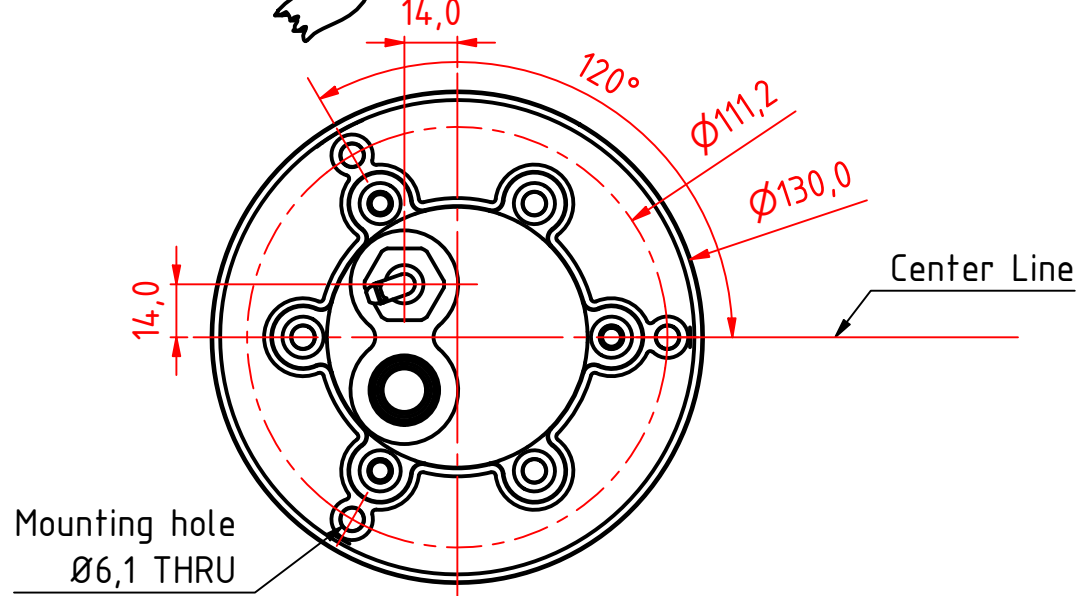
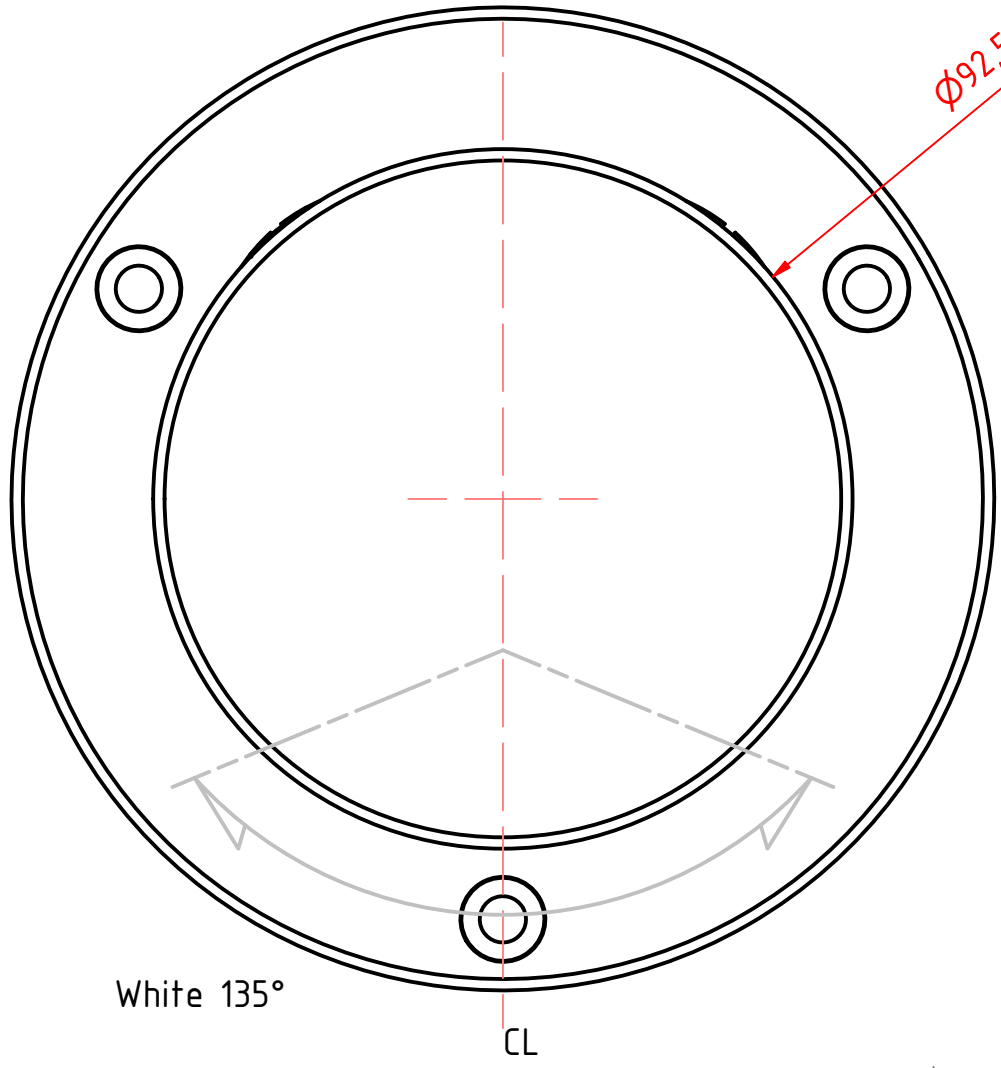
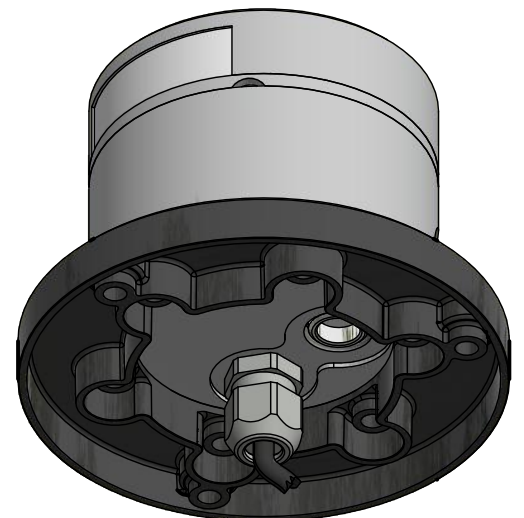
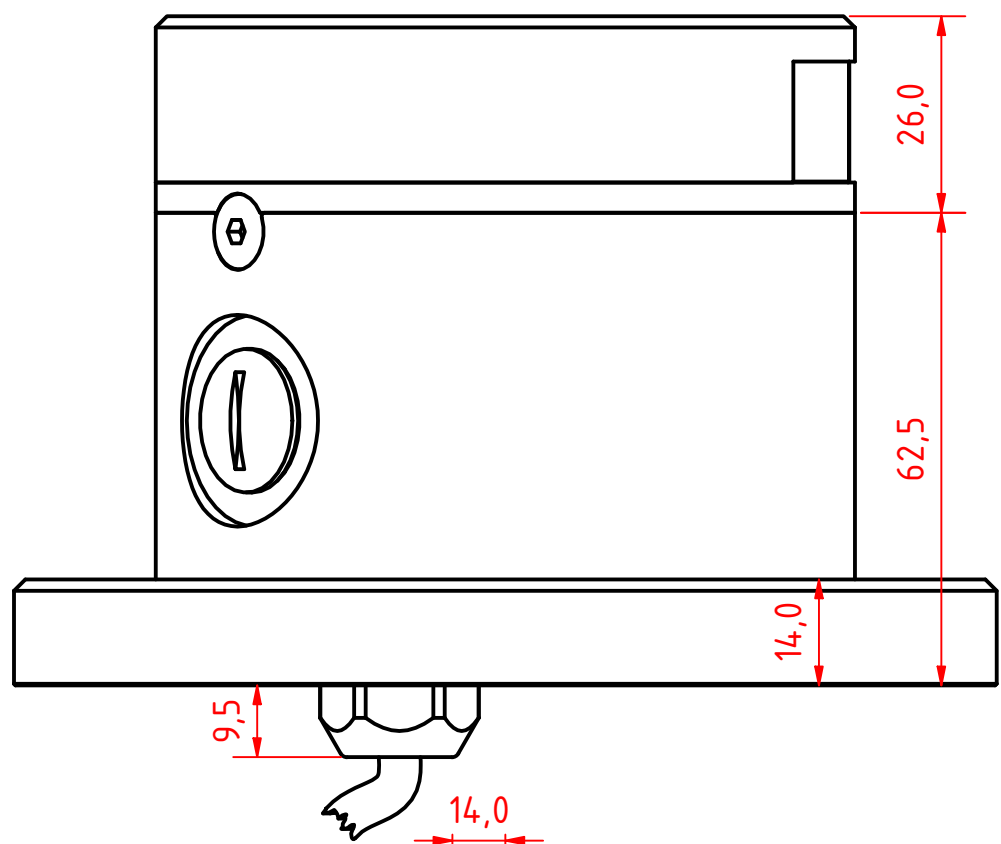
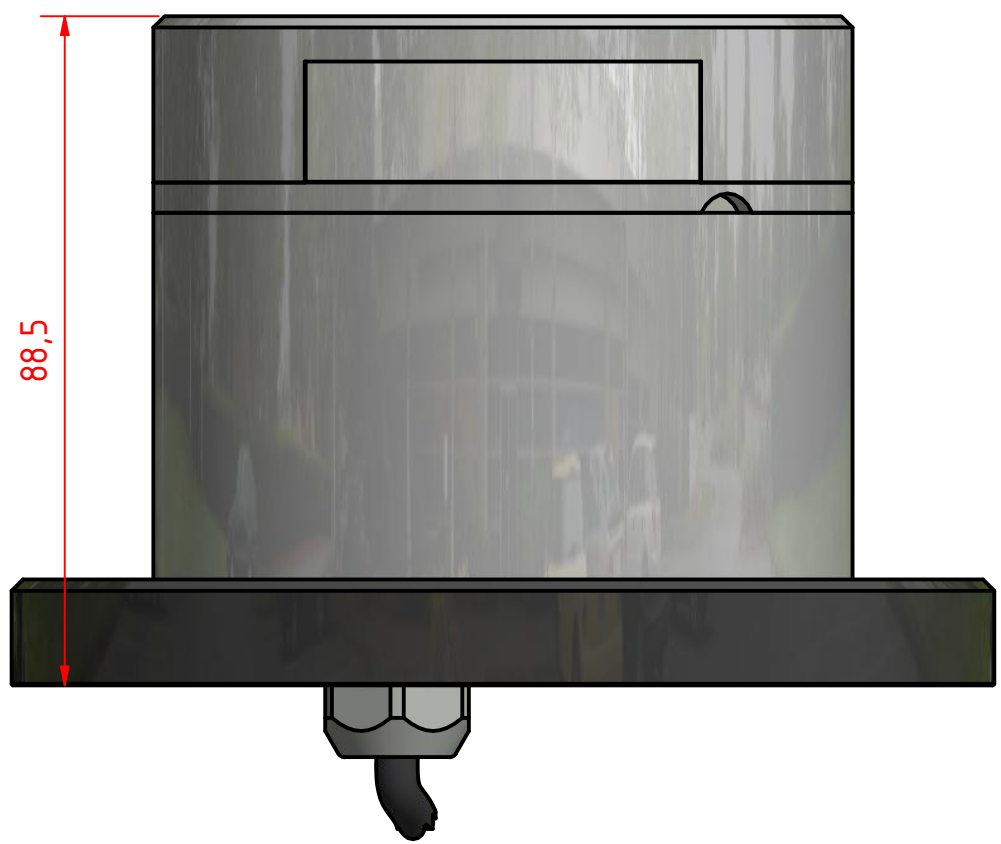
Tel:(+45) 32 48 50 30 Fax:(+45) 32 48 50 32
info@lopolight.com



A | B | C | D | E | F | G | H | I | J

A | B | C | D | E | F | G | H | I | J

1
2
3
4
5
6
7
8



Rev2 22/05/2019: Remove the lights GA (PE base) & IA (Ultra Low Base)
 Rev1 10/05/2019: Delete the sheet HA and add a new Sheet JA PRO Series.

301-005 2nm stern light HM, on a 400-034 Promount base and 400-404 PE base plate, Cable Down

DRAWING NO.: 301-005DA	REV. NO.: 2	SIZE: A3	DRAWN BY: Sergio
SCALE: 1:1	TOLERANCES: DS/ISO 2768-f	REVIEWED BY: PHC	CREATION DATE: 24-04-2018

MATERIAL DESCRIPTION:
EN 6082, Acrylic, PE (20µ) Silver anodized according to EN ISO 7599
 (50µ) Black anodized according to MIL-A 8625F

This Drawing, and the information within, is the property of Lopolight ApS and may not be used in any form without express permission there from. Lopolight reserves the right to change this drawing and assumes no liability for the information communicated herein. Use of dimensions and other information in this drawing is at the users own risk.



Lopolight ApS
 Bakkegaardsvej 513
 DK-3050, Humlebaek
 Denmark
www.lopolight.com

Tel:(+45) 32 48 50 30 Fax:(+45) 32 48 50 32
info@lopolight.com

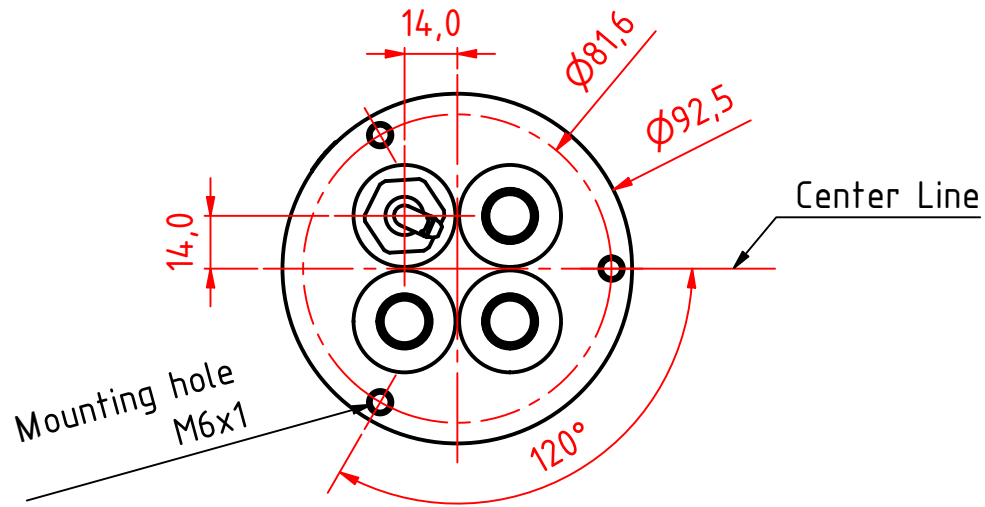
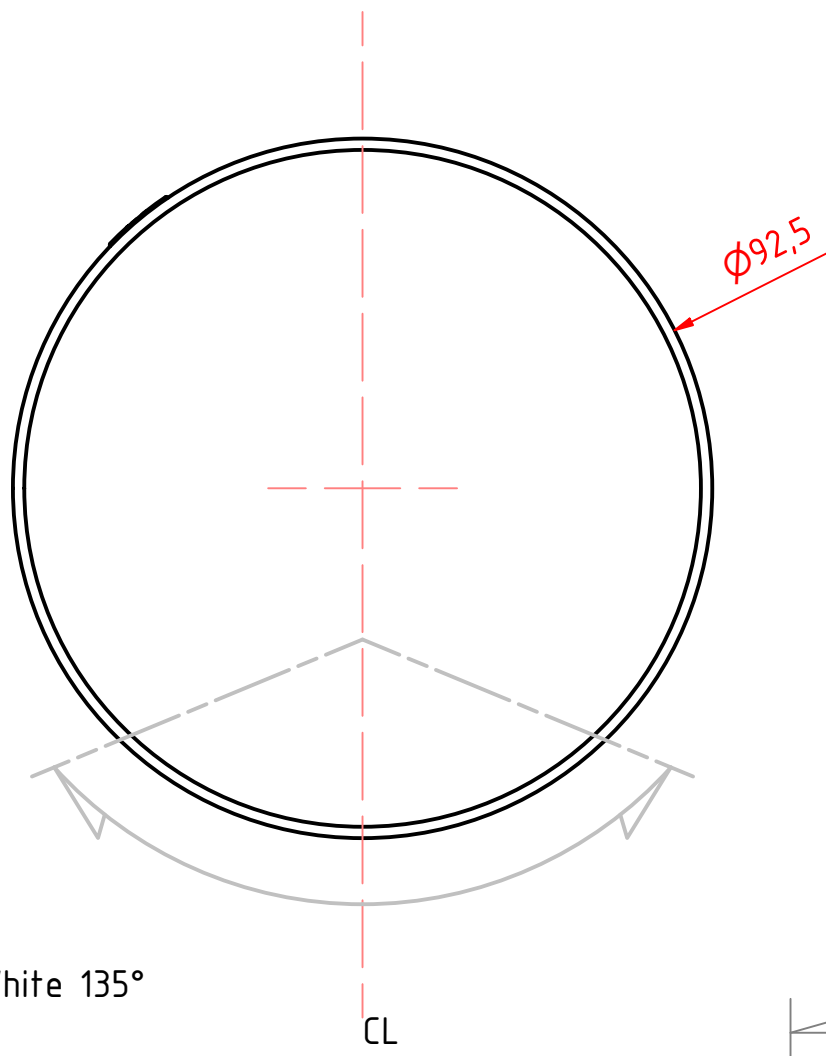
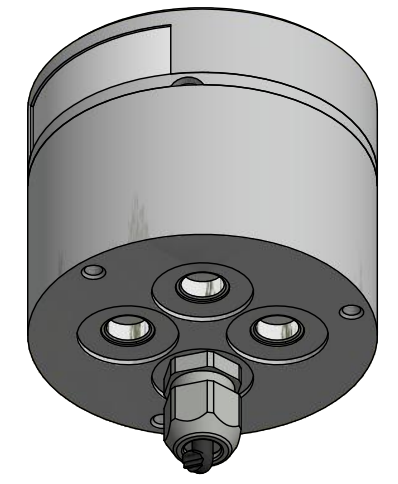
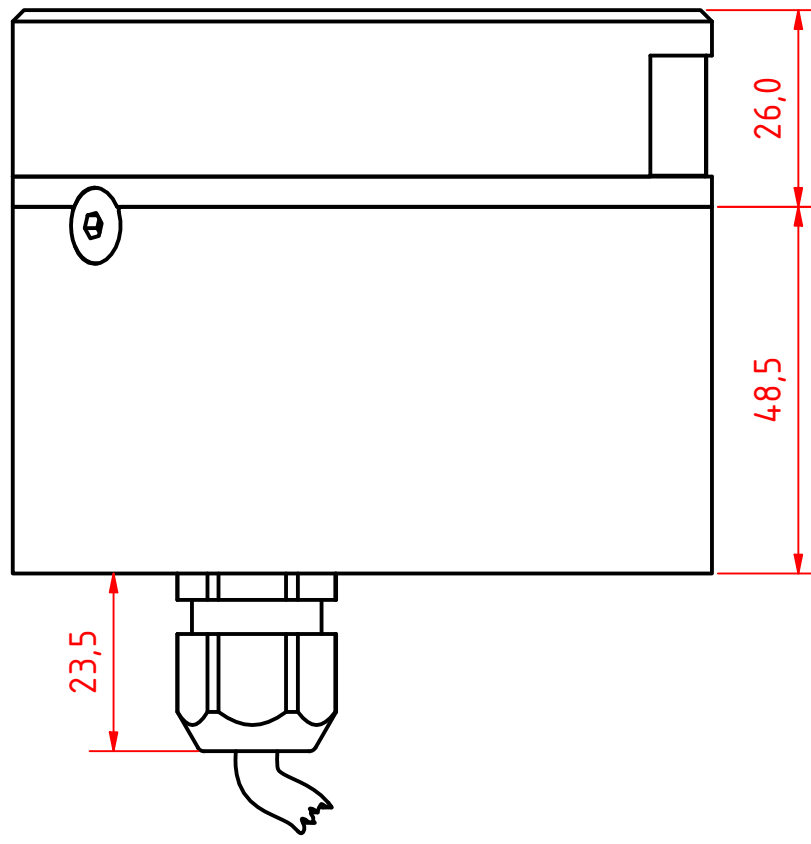
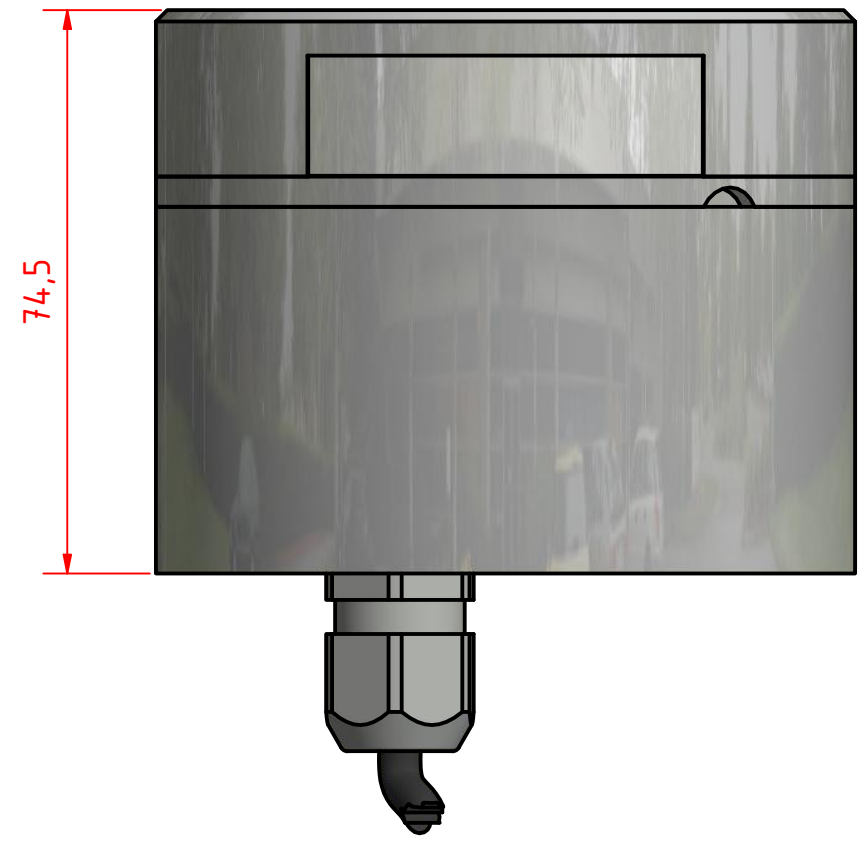


A | B | C | D | E | F | G | H | I | J

A B C D E F G H I J

1
2
3
4
5
6
7
8

1
2
3
4
5
6
7
8



Rev2 22/05/2019: Remove the lights GA (PE base) & IA (Ultra Low Base)
 Rev1 10/05/2019: Delete the sheet HA and add a new Sheet JA PRO Series.

301-005 2nm stern light HM, on a 400-035 Promount base, Cable Down

DRAWING NO.: 301-005EA	REV. NO.: 2	SIZE: A3	DRAWN BY: Sergio
SCALE: 1:1	TOLERANCES: DS/ISO 2768-f	REVIEWED BY: PHC	CREATION DATE: 24-04-2018
MATERIAL DESCRIPTION: EN 6082, Acrylic			

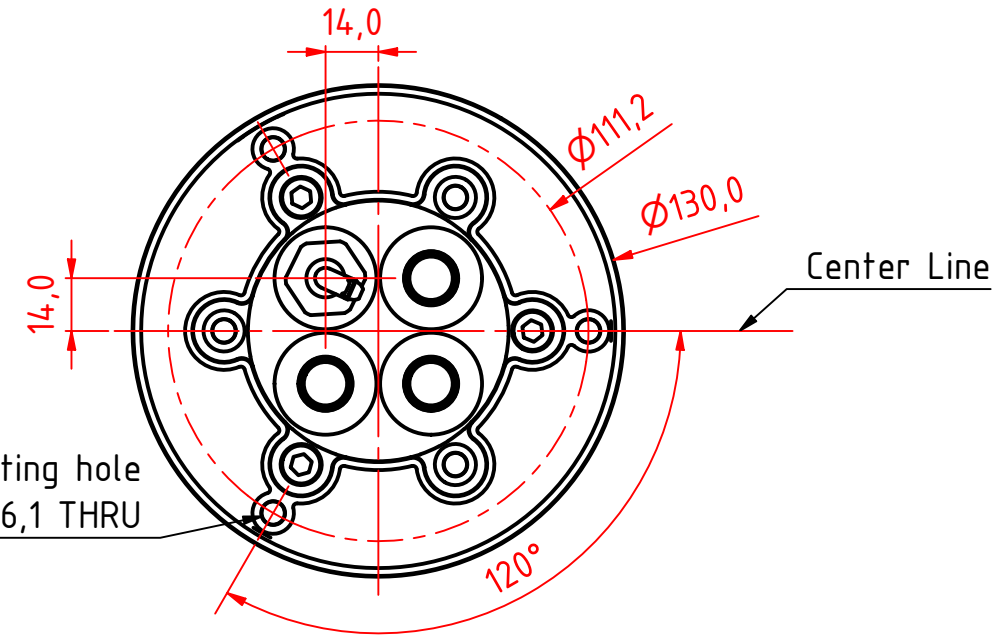
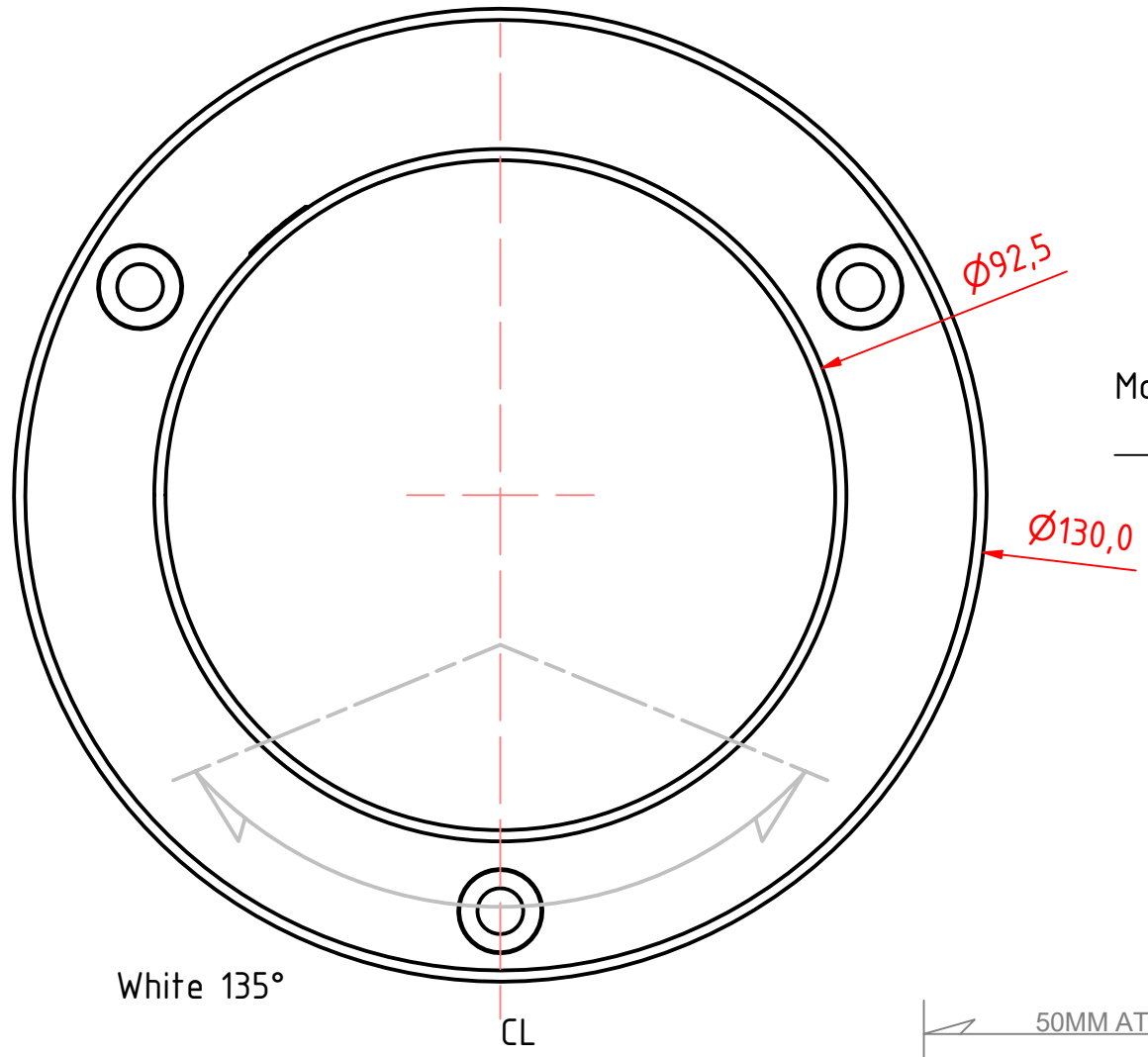
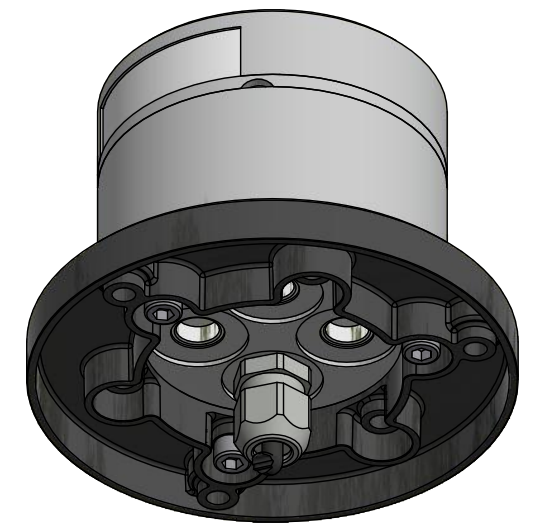
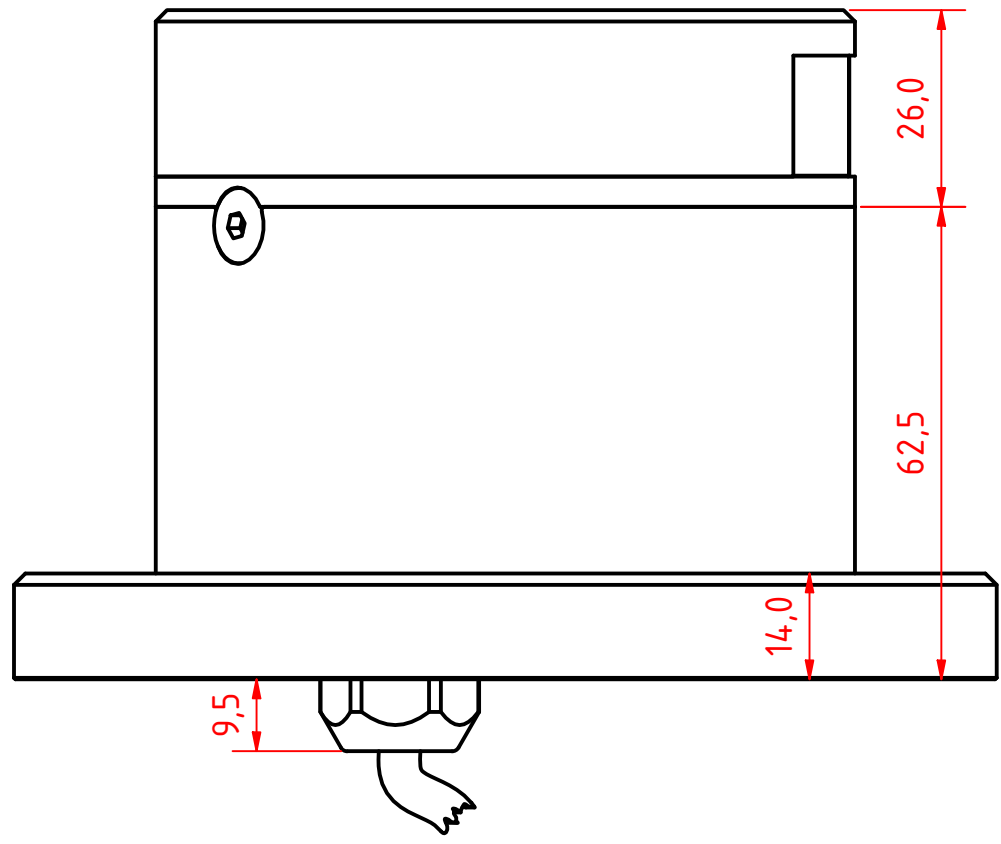
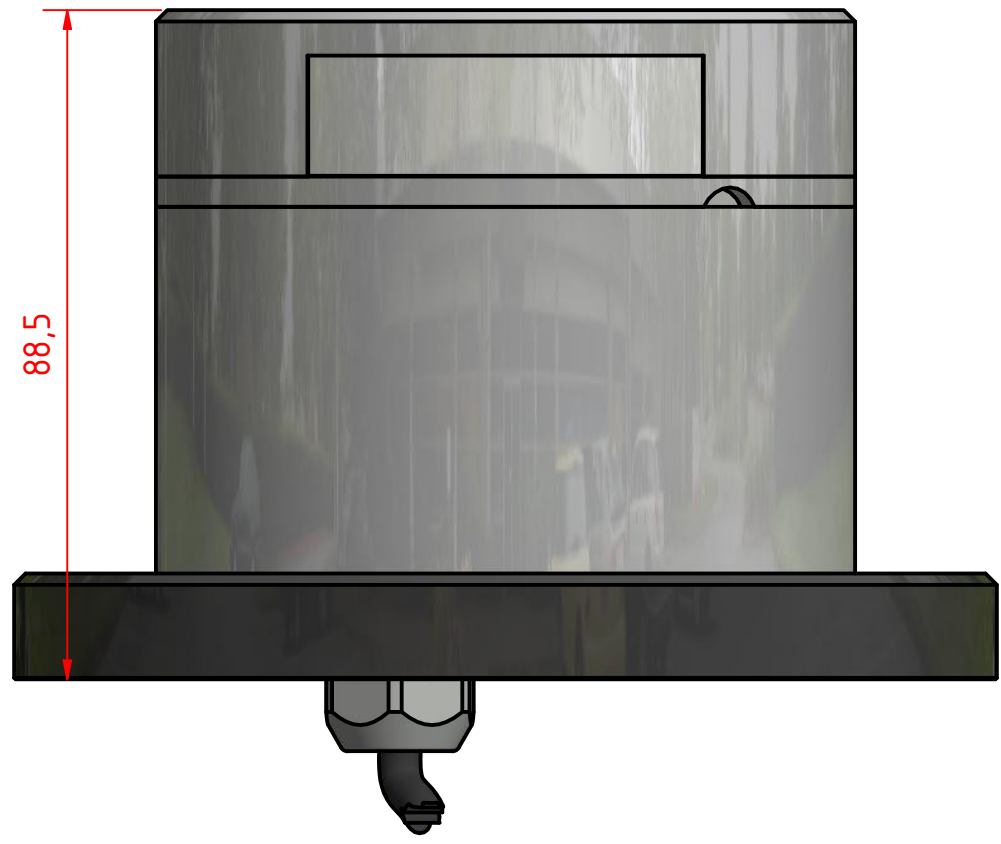
This Drawing, and the information within, is the property of Lopolight ApS and may not be used in any form without express permission there from. Lopolight reserves the right to change this drawing and assumes no liability for the information communicated herein. Use of dimensions and other information in this drawing is at the users own risk.

LOPOLIGHT
 Lopolight ApS
 Bakkegaardsvej 513
 DK-3050, Humlebaek
 Denmark
 www.lopolight.com
 Tel:(+45) 32 48 50 30 Fax:(+45) 32 48 50 32
 info@lopolight.com



A | B | C | D | E | F | G | H | I | J

1
2
3
4
5
6
7
8



Rev2 22/05/2019: Remove the lights GA (PE base) & IA (Ultra Low Base)
 Rev1 10/05/2019: Delete the sheet HA and add a new Sheet JA PRO Series.

301-005 2nm stern light HM, on a 400-035 Promount base and 400-404 base plate, Cable Down

DRAWING NO.: 301-005FA	REV. NO.: 2	SIZE: A3	DRAWN BY: Sergio
SCALE: 1:1	TOLERANCES: DS/ISO 2768-f	REVIEWED BY: PHC	CREATION DATE: 24-04-2018
MATERIAL DESCRIPTION: EN 6082, Acrylic, PE (20µ) Silver anodized according to EN ISO 7599 (50µ) Black anodized according to MIL-A 8625F			

This Drawing, and the information within, is the property of Lopolight ApS and may not be used in any form without express permission there from. Lopolight reserves the right to change this drawing and assumes no liability for the information communicated herein. Use of dimensions and other information in this drawing is at the users own risk.

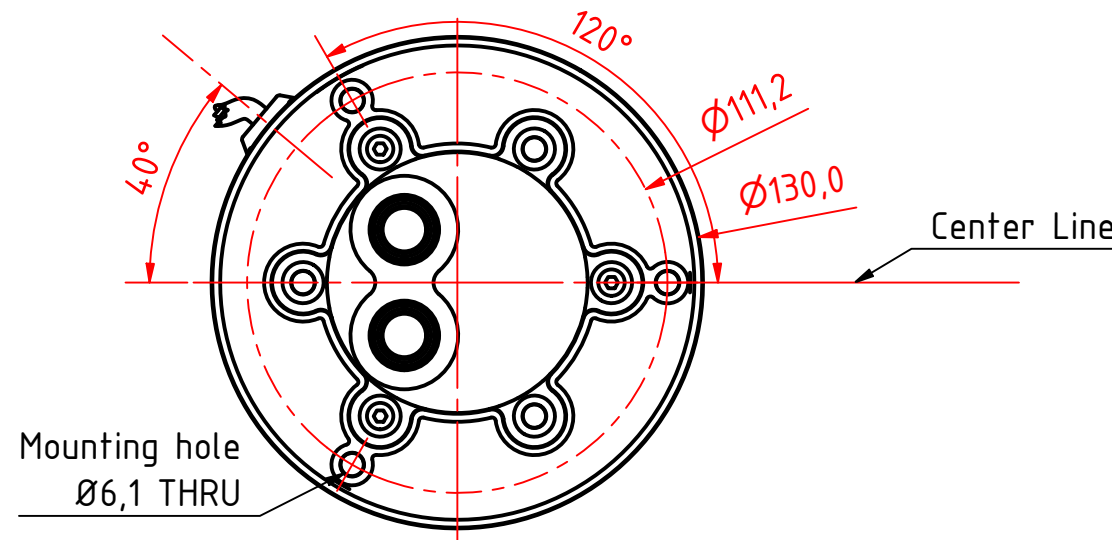
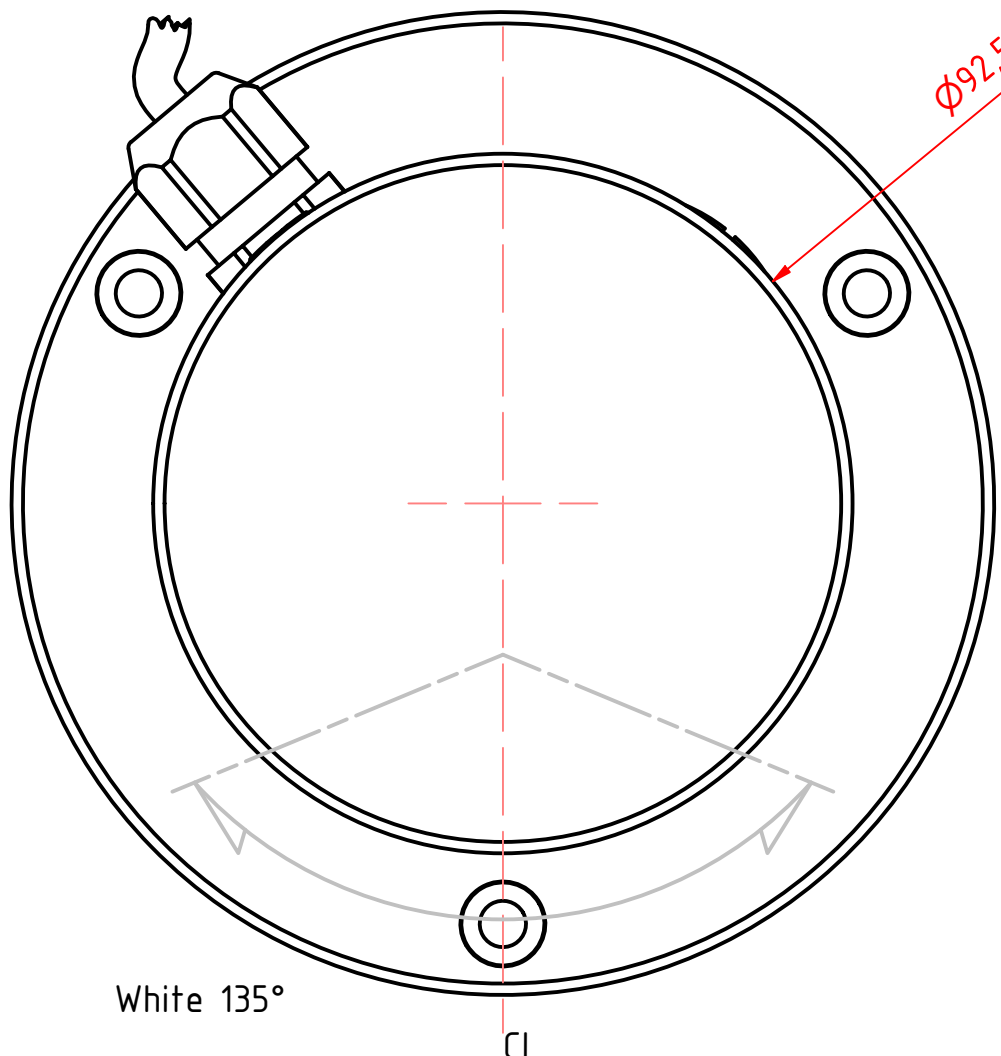
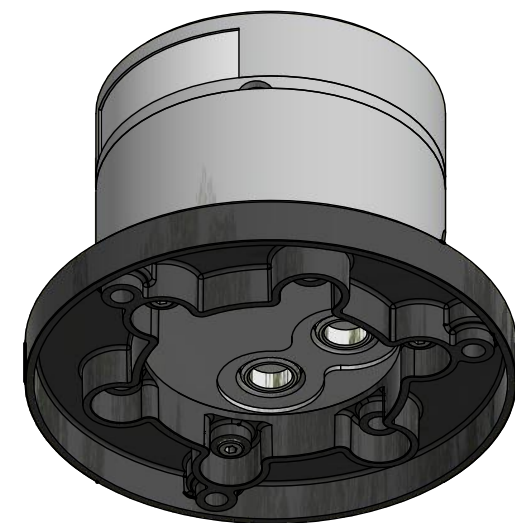
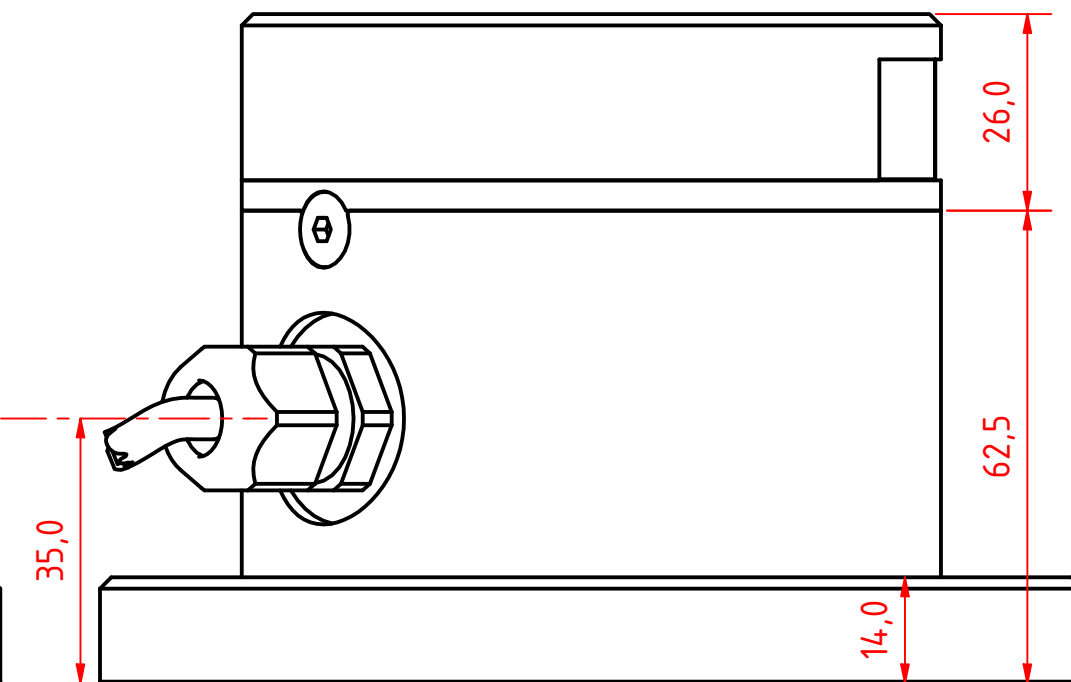
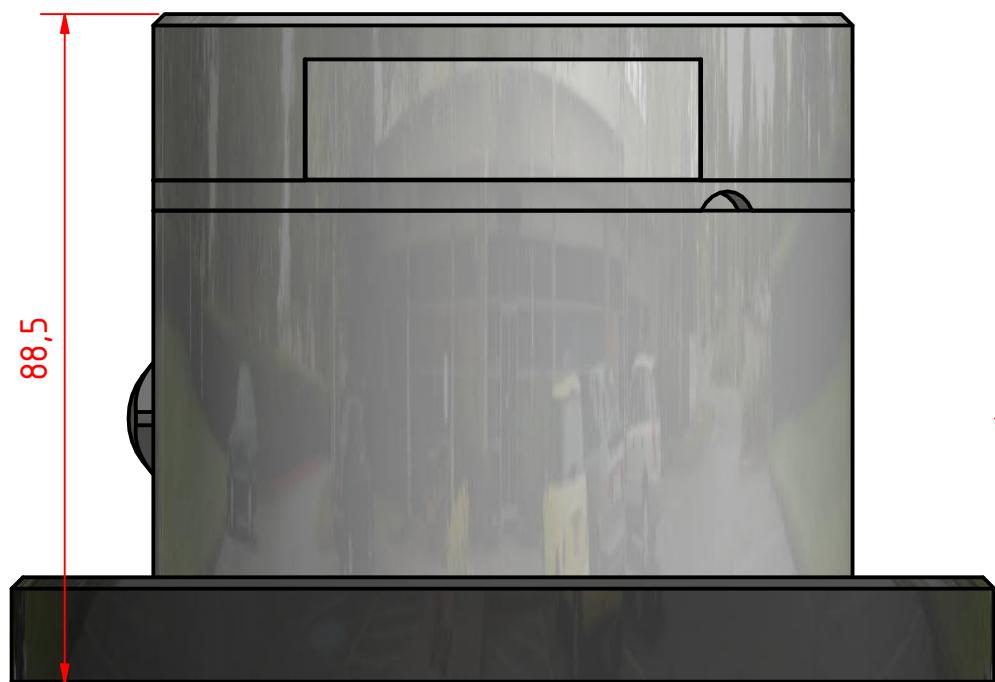
LOPOLIGHT
 Lopolight ApS
 Bakkegaardsvej 513
 DK-3050, Humlebaek
 Denmark
 www.lopolight.com
 Tel:(+45) 32 48 50 30 Fax:(+45) 32 48 50 32
 info@lopolight.com



A | B | C | D | E | F | G | H | I | J

A | B | C | D | E | F | G | H | I | J

1
2
3
4
5
6
7
8



Mounting hole
Ø6,1 THRU

Center Line

Rev2 22/05/2019: Remove the lights GA (PE base) & IA (Ultra Low Base)

Rev1 10/05/2019: Delete the sheet HA and add a new Sheet JA PRO Series.

301-005 2nm stern light HM, on a 400-034 Promount base PRO Series version and 400-404 PE base plate, Cable Side

DRAWING NO.: 301-005JA	REV. NO.: 2	SIZE: A3	DRAWN BY: Sergio
SCALE: 1:1	TOLERANCES: DS/ISO 2768-f	REVIEWED BY: PHC	CREATION DATE: 24-04-2018

MATERIAL DESCRIPTION:
EN 6082, Acrylic, PE (20µ) Silver anodized according to EN ISO 7599 (50µ) Black anodized according to MIL-A 8625F

This Drawing, and the information within, is the property of Lopolight ApS and may not be used in any form without express permission there from. Lopolight reserves the right to change this drawing and assumes no liability for the information communicated herein. Use of dimensions and other information in this drawing is at the users own risk.



LOPOLIGHT
Lopolight ApS
Bakkegaardsvej 513
DK-3050, Humlebaek
Denmark

www.lopolight.com

Tel:(+45) 32 48 50 30 Fax:(+45) 32 48 50 32
info@lopolight.com



A | B | C | D | E | F | G | H | I | J