

Rev2 10/05/2019 Delete the Sheet IA, put back the PE base plate instead the Alu one and add the text PRO Series on the sheet HA.
 Rev1 29/03/2019 Replace the 400-404 PE base for the 400-401 Alu base

301-108 3nm starboard sidelight, HM, on a 400-034 Promount base, Cable Side

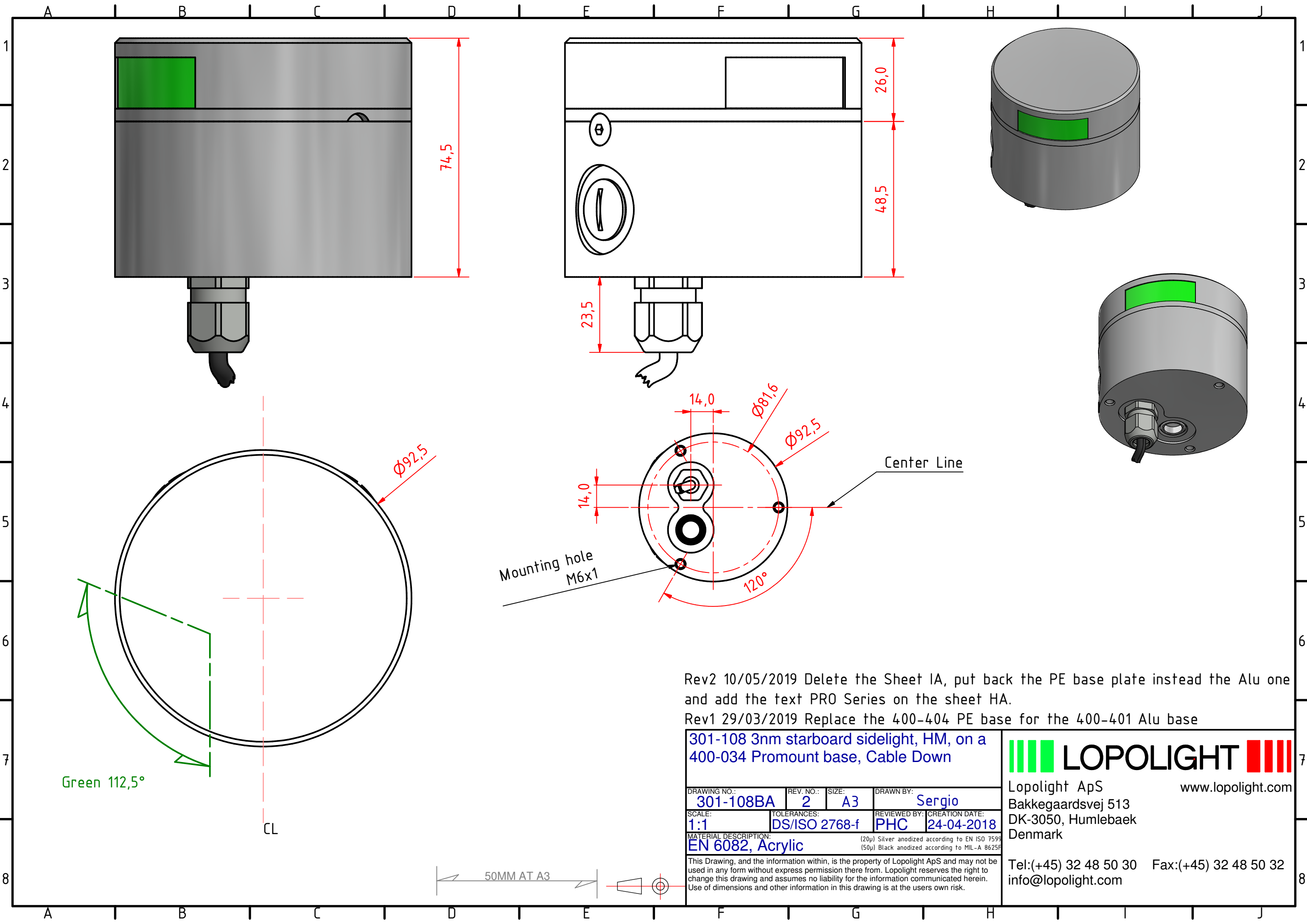
DRAWING NO.:	REV. NO.:	SIZE:	DRAWN BY:
301-108AA	2	A3	Sergio
SCALE:	TOLERANCES:	REVIEWED BY:	CREATION DATE:
1:1	DS/ISO 2768-f	PHC	24-04-2018
MATERIAL DESCRIPTION:			
EN 6082, Acrylic (20µ) Silver anodized according to EN ISO 7599 (50µ) Black anodized according to MIL-A 8625F			

LOPOLIGHT
 Lopolight ApS
 Bakkegaardsvej 513
 DK-3050, Humlebaek
 Denmark
 www.lopolight.com

This Drawing, and the information within, is the property of Lopolight ApS and may not be used in any form without express permission there from. Lopolight reserves the right to change this drawing and assumes no liability for the information communicated herein. Use of dimensions and other information in this drawing is at the users own risk.

Tel:(+45) 32 48 50 30 Fax:(+45) 32 48 50 32
 info@lopolight.com





Rev2 10/05/2019 Delete the Sheet IA, put back the PE base plate instead the Alu one and add the text PRO Series on the sheet HA.
 Rev1 29/03/2019 Replace the 400-404 PE base for the 400-401 Alu base

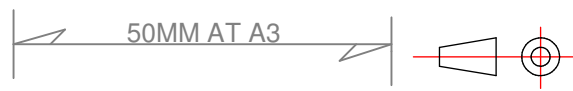
301-108 3nm starboard sidelight, HM, on a 400-034 Promount base, Cable Down

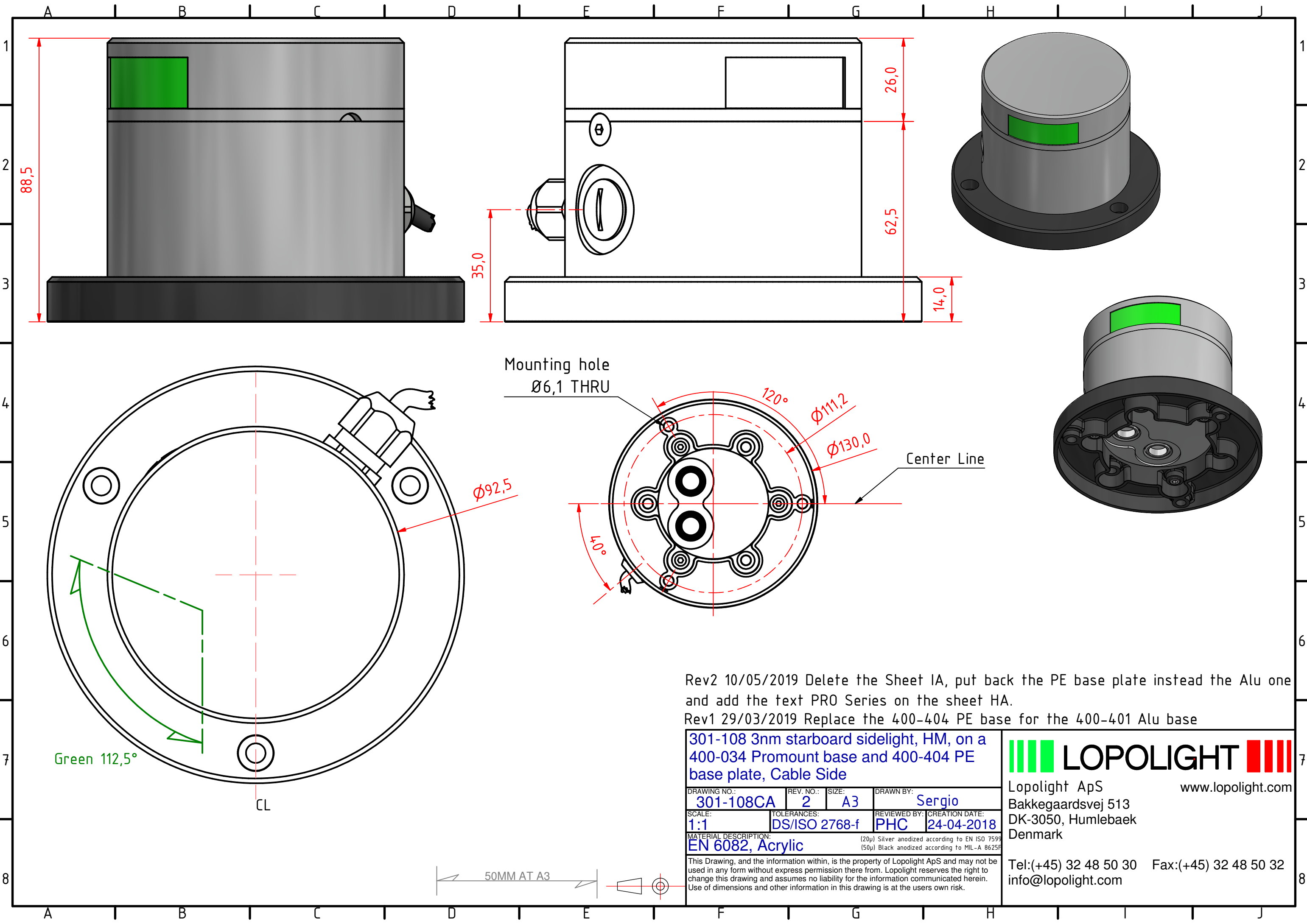
DRAWING NO.:	REV. NO.:	SIZE:	DRAWN BY:
301-108BA	2	A3	Sergio
SCALE:	TOLERANCES:	REVIEWED BY:	CREATION DATE:
1:1	DS/ISO 2768-f	PHC	24-04-2018
MATERIAL DESCRIPTION:			
EN 6082, Acrylic			
<small>(20µ) Silver anodized according to EN ISO 7599 (50µ) Black anodized according to MIL-A 8625F</small>			
<small>This Drawing, and the information within, is the property of Lopolight ApS and may not be used in any form without express permission there from. Lopolight reserves the right to change this drawing and assumes no liability for the information communicated herein. Use of dimensions and other information in this drawing is at the users own risk.</small>			

LOPOLIGHT

Lopolight ApS www.lopolight.com
 Bakkegaardsvej 513
 DK-3050, Humlebaek
 Denmark

Tel:(+45) 32 48 50 30 Fax:(+45) 32 48 50 32
 info@lopolight.com





Rev2 10/05/2019 Delete the Sheet IA, put back the PE base plate instead the Alu one and add the text PRO Series on the sheet HA.
 Rev1 29/03/2019 Replace the 400-404 PE base for the 400-401 Alu base

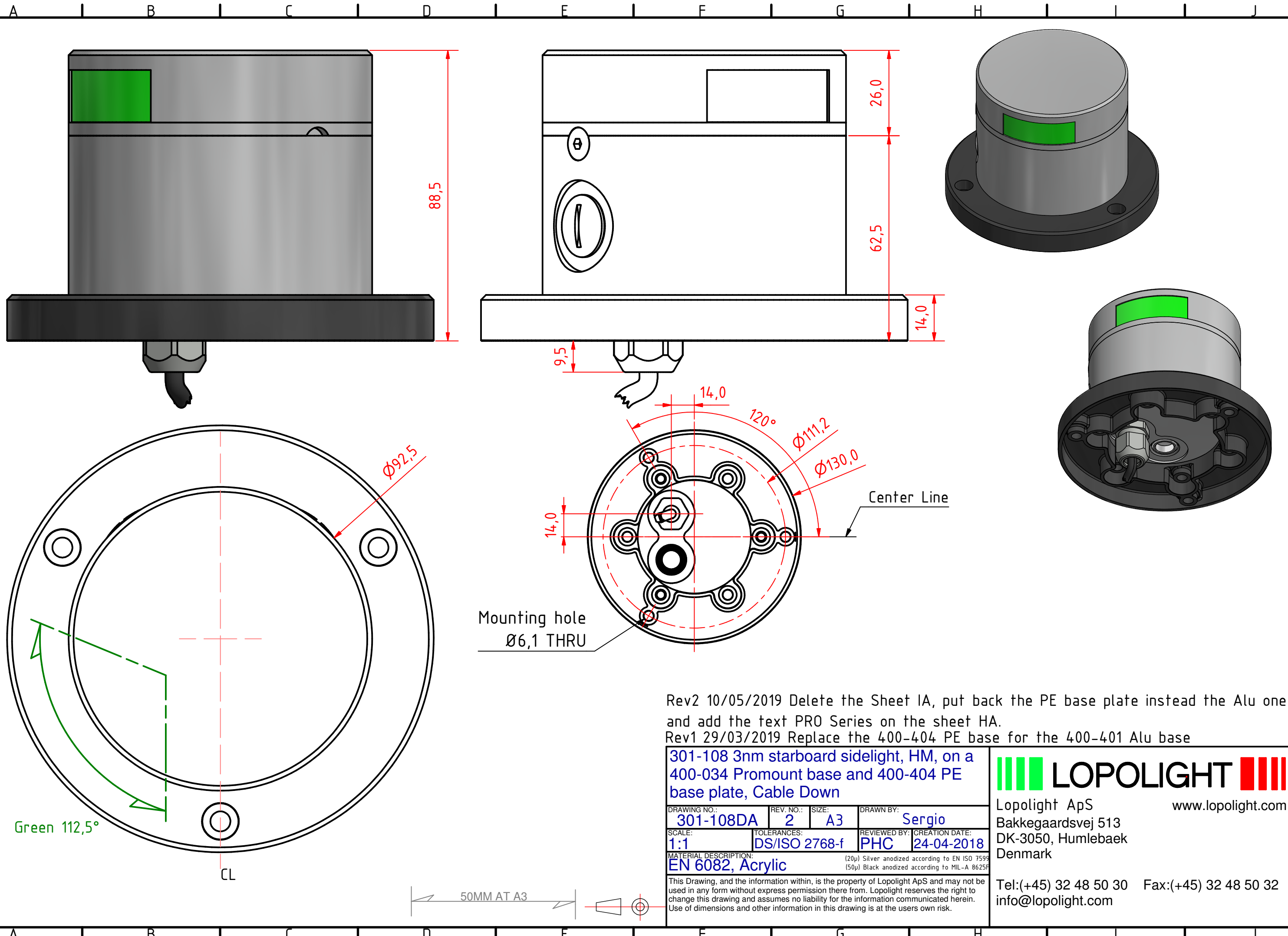
301-108 3nm starboard sidelight, HM, on a 400-034 Promount base and 400-404 PE base plate, Cable Side			
DRAWING NO.:	REV. NO.:	SIZE:	DRAWN BY:
301-108CA	2	A3	Sergio
SCALE:	TOLERANCES:	REVIEWED BY:	CREATION DATE:
1:1	DS/ISO 2768-f	PHC	24-04-2018
MATERIAL DESCRIPTION:			
EN 6082, Acrylic <small>(20µ) Silver anodized according to EN ISO 7599 (50µ) Black anodized according to MIL-A 8625F</small>			

LOPOLIGHT
 Lopolight ApS www.lopolight.com
 Bakkegaardsvej 513
 DK-3050, Humlebaek
 Denmark

This Drawing, and the information within, is the property of Lopolight ApS and may not be used in any form without express permission there from. Lopolight reserves the right to change this drawing and assumes no liability for the information communicated herein. Use of dimensions and other information in this drawing is at the users own risk.

Tel:(+45) 32 48 50 30 Fax:(+45) 32 48 50 32
 info@lopolight.com





Rev2 10/05/2019 Delete the Sheet IA, put back the PE base plate instead the Alu one and add the text PRO Series on the sheet HA.
 Rev1 29/03/2019 Replace the 400-404 PE base for the 400-401 Alu base

301-108 3nm starboard sidelight, HM, on a 400-034 Promount base and 400-404 PE base plate, Cable Down			
DRAWING NO.:	REV. NO.:	SIZE:	DRAWN BY:
301-108DA	2	A3	Sergio
SCALE:	TOLERANCES:	REVIEWED BY:	CREATION DATE:
1:1	DS/ISO 2768-f	PHC	24-04-2018
MATERIAL DESCRIPTION:			
EN 6082, Acrylic			

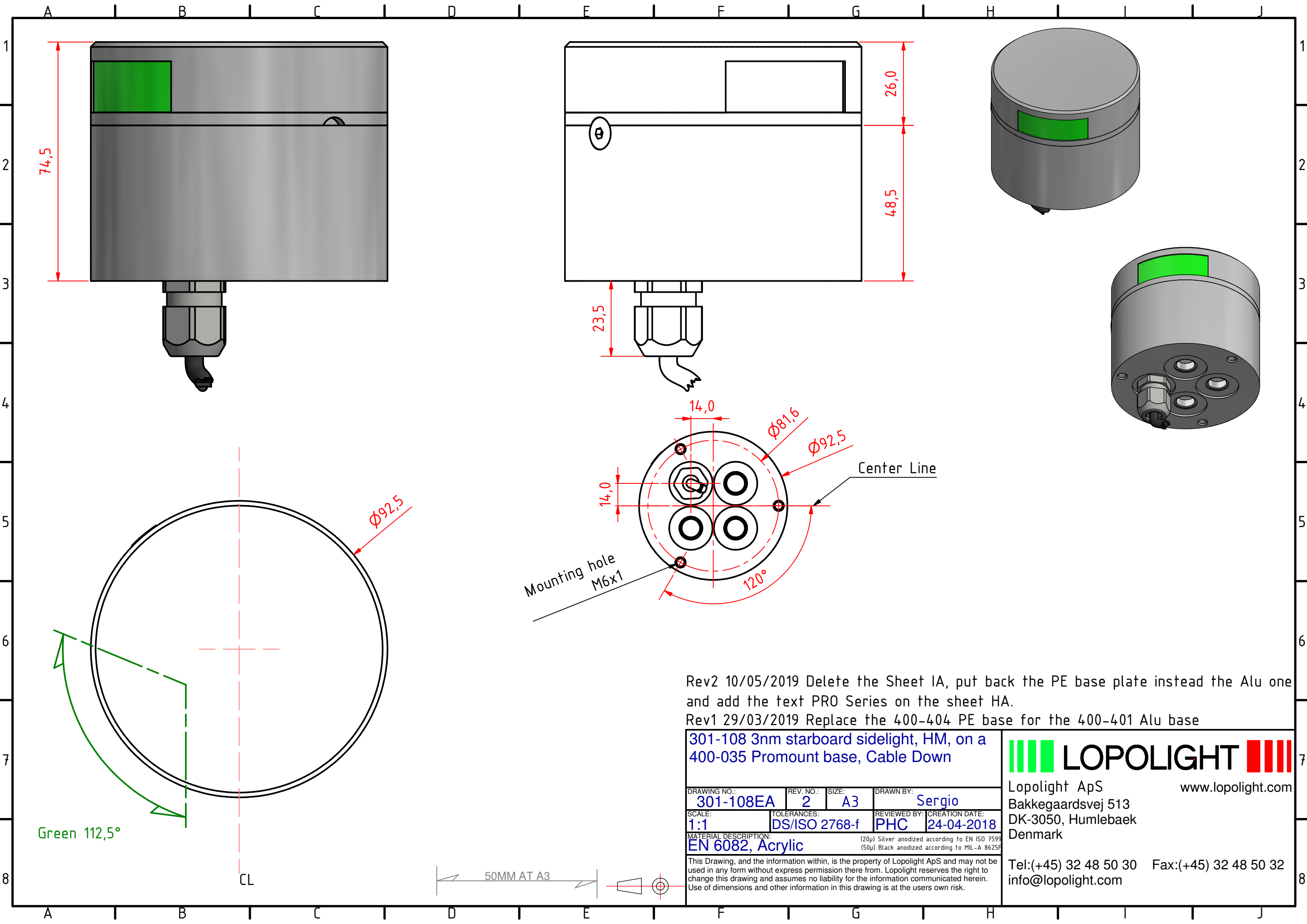
LOPOLIGHT

Lopolight ApS
 Bakkegaardsvej 513
 DK-3050, Humlebaek
 Denmark

www.lopolight.com

This Drawing, and the information within, is the property of Lopolight ApS and may not be used in any form without express permission there from. Lopolight reserves the right to change this drawing and assumes no liability for the information communicated herein. Use of dimensions and other information in this drawing is at the users own risk.

Tel:(+45) 32 48 50 30 Fax:(+45) 32 48 50 32
 info@lopolight.com



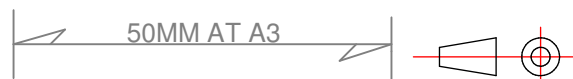
Rev2 10/05/2019 Delete the Sheet IA, put back the PE base plate instead the Alu one and add the text PRO Series on the sheet HA.
 Rev1 29/03/2019 Replace the 400-404 PE base for the 400-401 Alu base

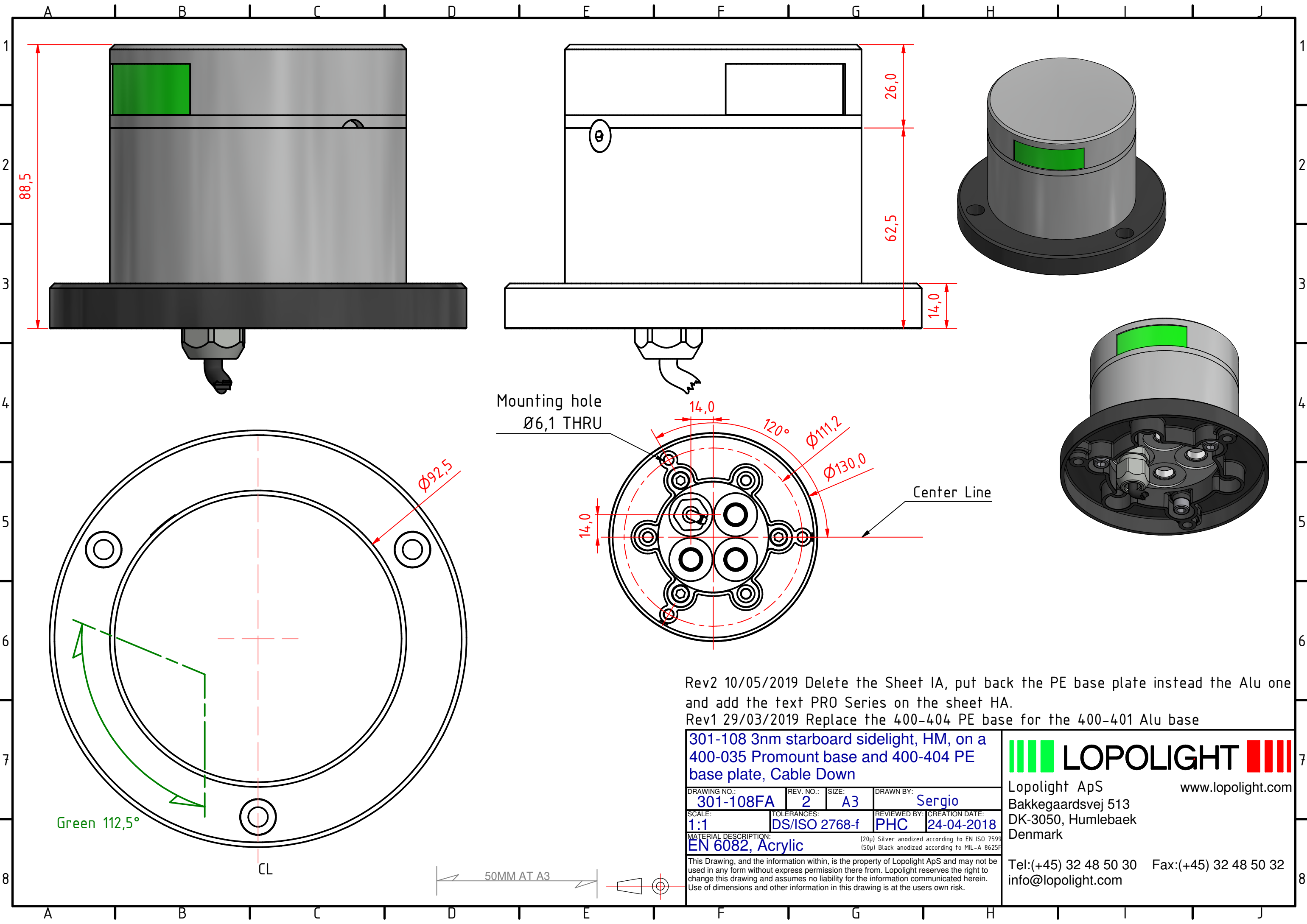
301-108 3nm starboard sidelight, HM, on a 400-035 Promount base, Cable Down

DRAWING NO.:	REV. NO.:	SIZE:	DRAWN BY:
301-108EA	2	A3	Sergio
SCALE:	TOLERANCES:	REVIEWED BY:	CREATION DATE:
1:1	DS/ISO 2768-f	PHC	24-04-2018
MATERIAL DESCRIPTION:			
EN 6082, Acrylic			

(20µ) Silver anodized according to EN ISO 7599
 (50µ) Black anodized according to MIL-A 8625F
 This Drawing, and the information within, is the property of Lopolight ApS and may not be used in any form without express permission there from. Lopolight reserves the right to change this drawing and assumes no liability for the information communicated herein. Use of dimensions and other information in this drawing is at the users own risk.

LOPOLIGHT
 Lopolight ApS
 Bakkegaardsvej 513
 DK-3050, Humlebaek
 Denmark
 www.lopolight.com
 Tel:(+45) 32 48 50 30 Fax:(+45) 32 48 50 32
 info@lopolight.com





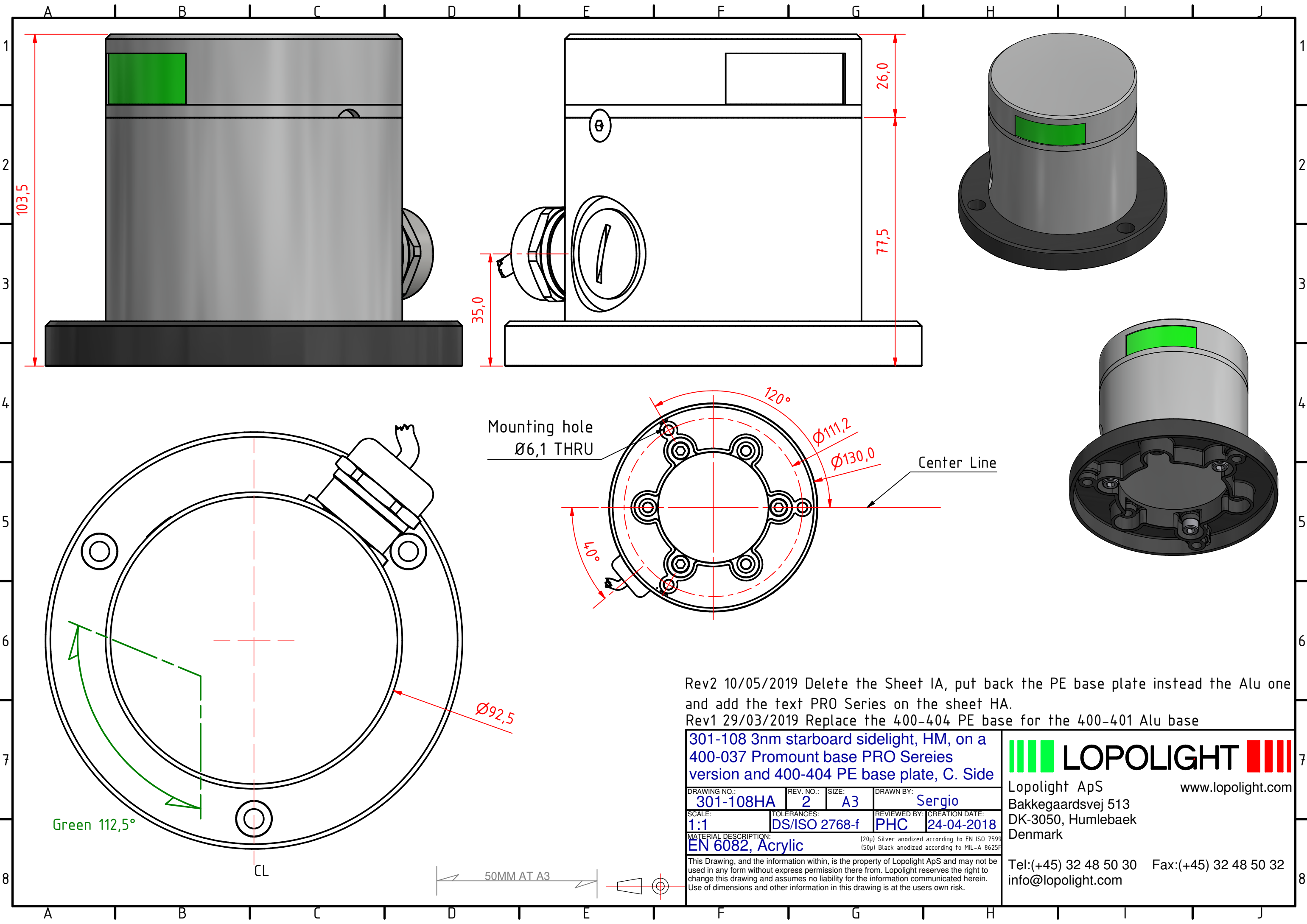
Rev2 10/05/2019 Delete the Sheet IA, put back the PE base plate instead the Alu one and add the text PRO Series on the sheet HA.
 Rev1 29/03/2019 Replace the 400-404 PE base for the 400-401 Alu base

301-108 3nm starboard sidelight, HM, on a 400-035 Promount base and 400-404 PE base plate, Cable Down			
DRAWING NO.:	REV. NO.:	SIZE:	DRAWN BY:
301-108FA	2	A3	Sergio
SCALE:	TOLERANCES:	REVIEWED BY:	CREATION DATE:
1:1	DS/ISO 2768-f	PHC	24-04-2018
MATERIAL DESCRIPTION:			
EN 6082, Acrylic (20µ) Silver anodized according to EN ISO 7599 (50µ) Black anodized according to MIL-A 8625F			

LOPOLIGHT
 Lopolight ApS
 Bakkegaardsvej 513
 DK-3050, Humlebaek
 Denmark
 www.lopolight.com

This Drawing, and the information within, is the property of Lopolight ApS and may not be used in any form without express permission there from. Lopolight reserves the right to change this drawing and assumes no liability for the information communicated herein. Use of dimensions and other information in this drawing is at the users own risk.

Tel:(+45) 32 48 50 30 Fax:(+45) 32 48 50 32
 info@lopolight.com



Rev2 10/05/2019 Delete the Sheet IA, put back the PE base plate instead the Alu one and add the text PRO Series on the sheet HA.
 Rev1 29/03/2019 Replace the 400-404 PE base for the 400-401 Alu base

301-108 3nm starboard sidelight, HM, on a 400-037 Promount base PRO Sereies version and 400-404 PE base plate, C. Side			
DRAWING NO.:	REV. NO.:	SIZE:	DRAWN BY:
301-108HA	2	A3	Sergio
SCALE:	TOLERANCES:	REVIEWED BY:	CREATION DATE:
1:1	DS/ISO 2768-f	PHC	24-04-2018
MATERIAL DESCRIPTION:			
EN 6082, Acrylic		(20µ) Silver anodized according to EN ISO 7599 (50µ) Black anodized according to MIL-A 8625F	

LOPOLIGHT
 Lopolight ApS
 Bakkegaardsvej 513
 DK-3050, Humlebaek
 Denmark
www.lopolight.com

This Drawing, and the information within, is the property of Lopolight ApS and may not be used in any form without express permission there from. Lopolight reserves the right to change this drawing and assumes no liability for the information communicated herein. Use of dimensions and other information in this drawing is at the users own risk.

Tel:(+45) 32 48 50 30 Fax:(+45) 32 48 50 32
 info@lopolight.com