

CORTEX H1 TETHERED HANDSET

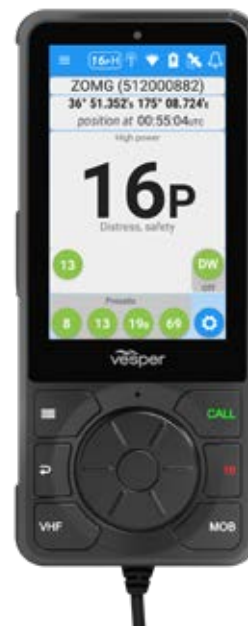
CORTEX-H1

DESCRIPTION

Upgrade your Cortex *smartAIS* (M1) or add additional handsets for access to key functions in more places on board. Have situational awareness and VHF communication at your fingertips, no matter where you are on your boat.

The H1 Tethered Handset is compatible with Cortex M1 to turn your *smartAIS* solution into a full VHF system. Cortex H1 comes bundled in the Cortex V1. Add additional H1 handsets for additional stations.

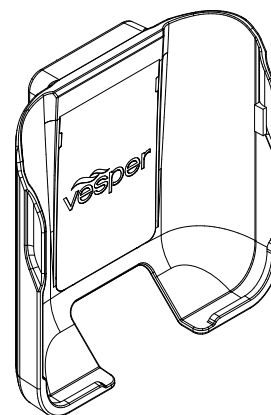
- Powered handset for connection to Cortex M1 or Cortex V1
- 4-inch multi-touch display with gorilla glass for maximum durability
- Single hand operation with unique click wheel and dedicated buttons
- Wet and gloves capable touchscreen
- Works with polarised sunglasses
- Optically bonded display for wide-angle and sunlight viewability, even in the harshest midday sun.
- 85 dBA of crystal-clear audio
- Combined AIS and VHF display with voiced alerts
- Touch a vessel onscreen for direct calling (DSC)
- Connect up to 10 handsets to the Cortex Hub



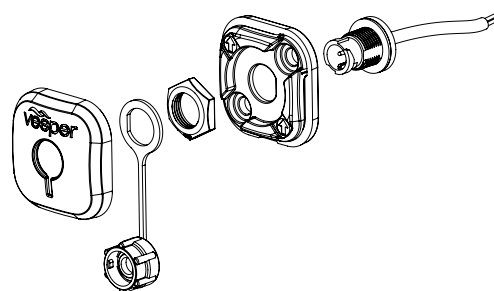
CORTEX H1P PORTABLE HANDSET	
PRODUCT CODE	CORTEX-H1
UPC	0793591743585
DESCRIPTION	Cortex H1 Tethered Handset
INCLUDED	Bulkhead connector, Non Powered H1 Cradle
PACKAGING	213 x 98 x 58 mm (8 3/8" x 3 7/8" x 2 5/16") 0.34 kg (0.75 lb)

INCLUDED

ACCESSORY CODE	DESCRIPTION
CRDL-H1	NON-POWERED H1 CRADLE

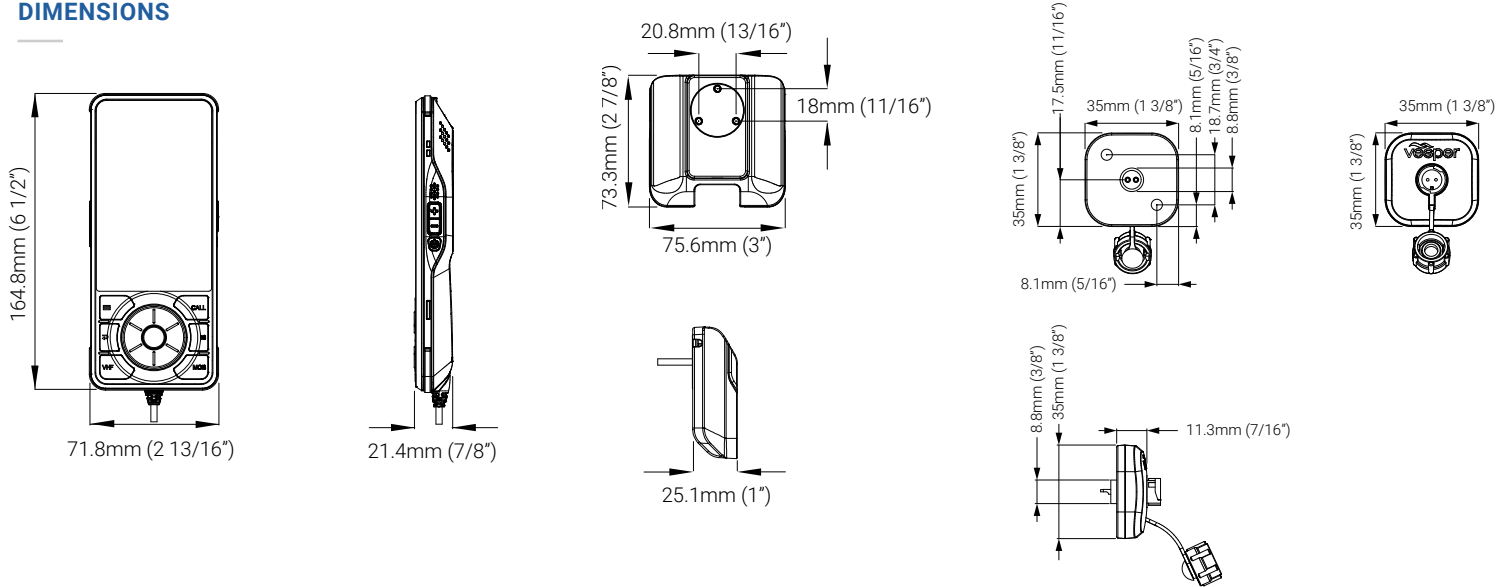


NON-POWERED H1 CRADLE



BULKHEAD CONNECTOR

DIMENSIONS



KNOW YOUR HANDSET

- | | |
|---------------------------------|--------------------------------|
| 1 DSC distress call button | 10 VHF screen shortcut button |
| 2 2W high fidelity loud speaker | 11 Return button |
| 3 Side volume buttons | 12 Menu button |
| 4 Power On button | 13 Push to talk button |
| 5 DSC Call shortcut | 14 4-inch touch screen |
| 6 Channel 16 shortcut button | 15 Protective rubber overmould |
| 7 MOB waypoint activation | 16 Power cable |
| 8 Click-wheel rotary controller | |
| 9 Microphone | |

SPECIFICATIONS

CORTEX H1 HANDSET	
GENERAL SPECIFICATIONS	
HANDSET SIZE	164.8 x 71.8 x 21.4mm (6 1/2" x 2 13/16" x 7/8")
POWER SUPPLY	12V, 1A max, 200mA nom 12-24V compatible
BATTERY	Lithium Polymer 2 hour full charge, >12 hours nominal operation
WEIGHT	H1 285g (0.63lb)
ENVIRONMENTAL	Waterproof (IPx7)
OPERATING TEMPERATURE	-20°C to +55°C (-13°F to +131°F)
AUDIO	2W, THD < 5% @ 85dBA
CABLE LENGTH	50mm curled, 200mm uncurled (H1)



DISPLAY	
SCREEN	LCD TFT Si, 640 x 800, 24bit Colour, Polarised Compatibility
TOUCH	Capacitive, optically bonded, LCD, glove and salt water operable
BACKLIGHT	600 cd/m2, Ambient Light sensor for auto dimming

All stated specifications are subject to change without notice or obligation. Dimensional measurements based on metric.