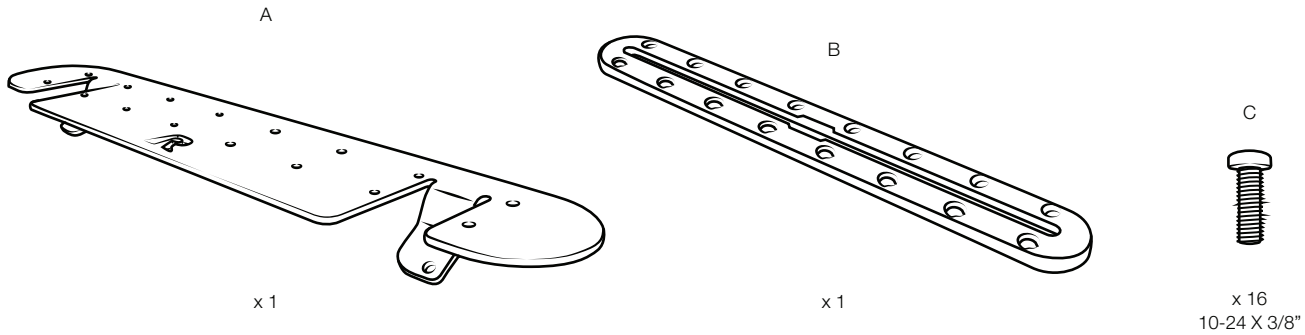
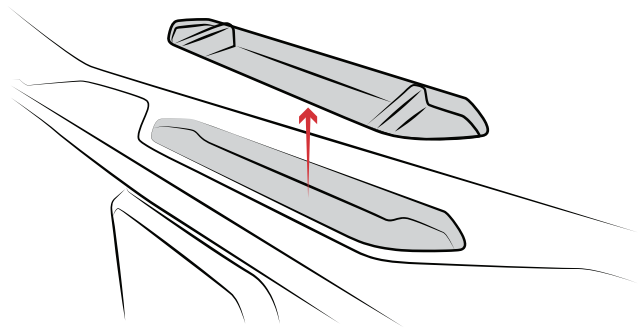
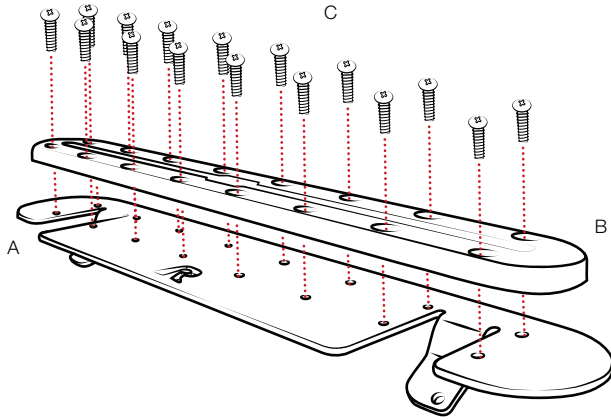


## Parts Index

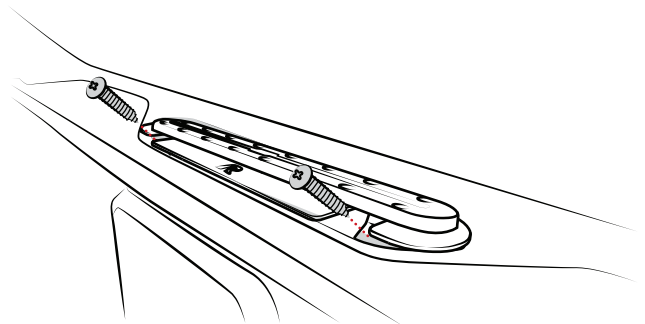
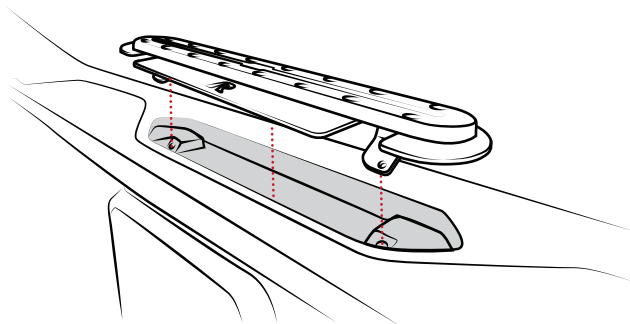
\*not to scale



- 1
- 2 Remove dash inlet from Jeep dashboard. Keep both factory bolts on hand.



- 3 Lower the dash track into the inlet and line up the two lower holes with the exposed holes in the dash inlet.
- 4 Secure the RAM® Tough-Track™ to the dash inlet with the two factory screws you removed in step 2.



RMR-INS-DT-204



### Safety Precaution

Do not install this product near or over an airbag deployment area or in a location that obstructs the driver's vision or interferes with vehicle operation. National Products, Inc does not assume responsibility or liability for any such personal injury, death or property damage.