

**Note:**  
 The PE Plastic base is intended for fitting on site and can be either drilled for mounting screws from above or drilled and tapped from below. 6mm machine screws with nuts and washers are recommended for secure mounting.

Green 360° Stack

200-015G2ST, 360° Green on a 400-038 PE std base

DRAWING NO.: 200-015G2ST-AA 0	REV. NO.: A3	SIZE: A3	DRAWN BY: Thomas
SCALE: 1 : 1	TOLERANCES: DS/ISO 2768-f	REVIEWED BY:	CREATION DATE: 25-05-2021

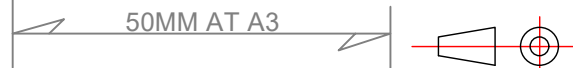
MATERIAL DESCRIPTION:  
 Alu. EN6082, Acrylic, PE (20µ) Silver anodized according to EN ISO 7599 (50µ) Black anodized according to MIL-A 8625F

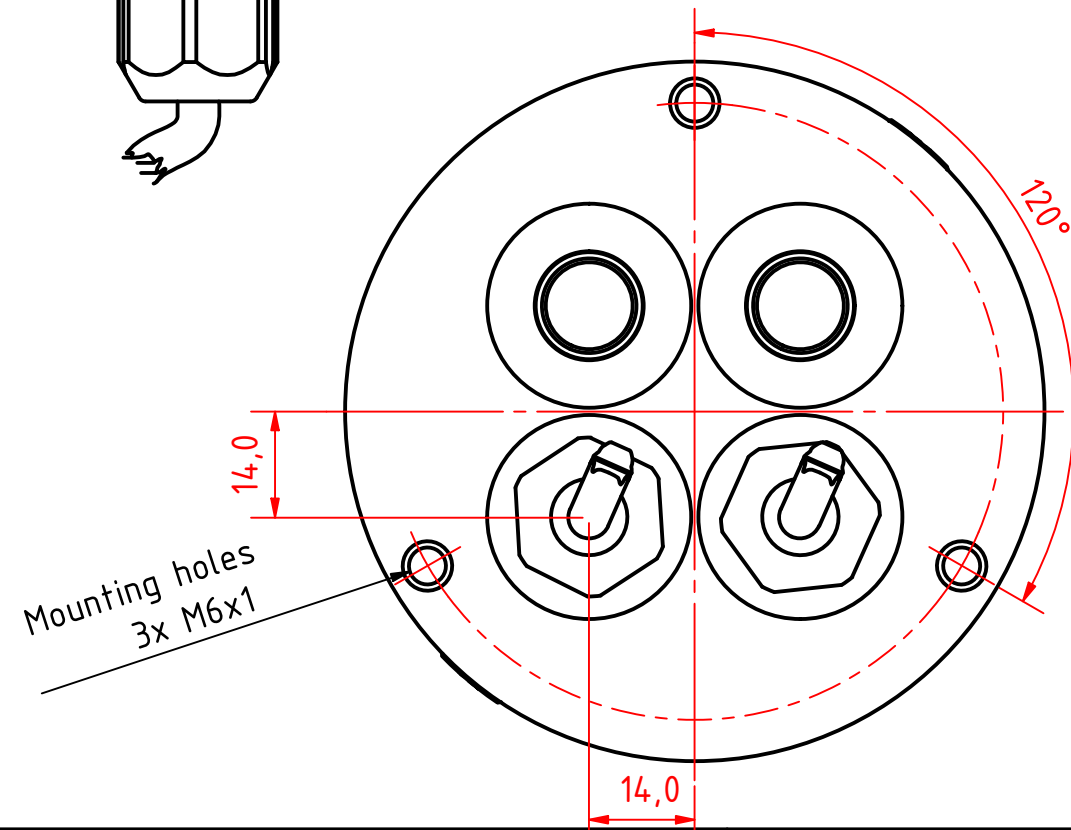
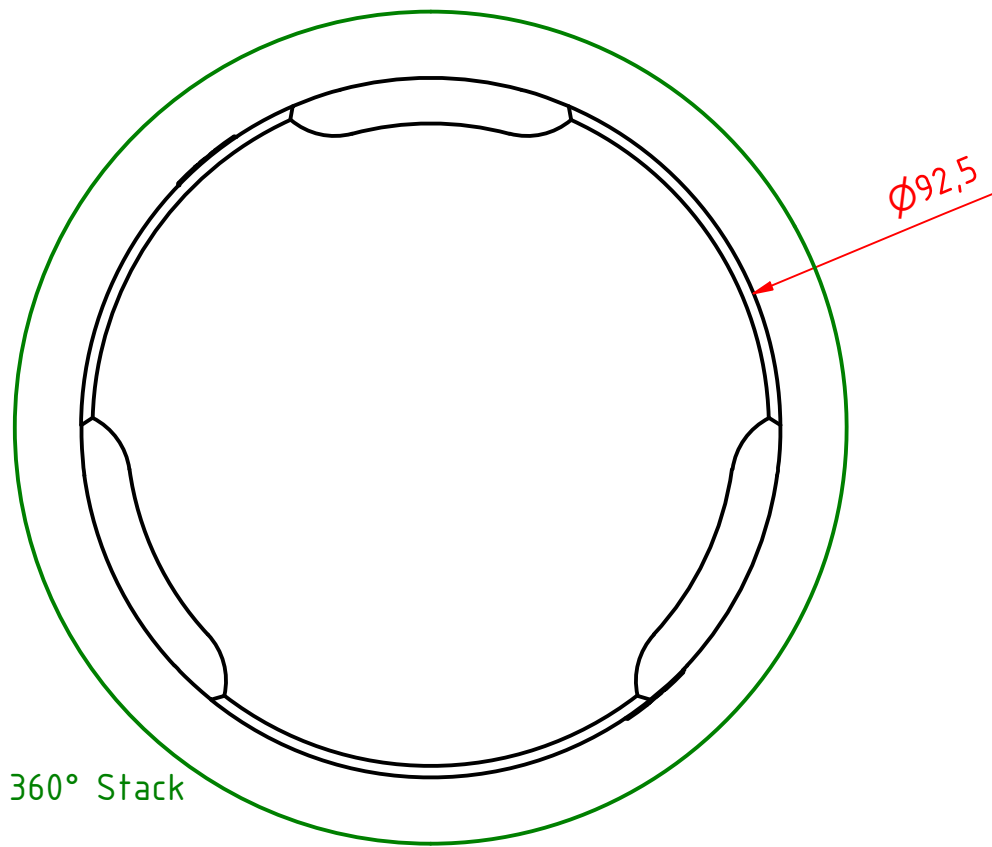
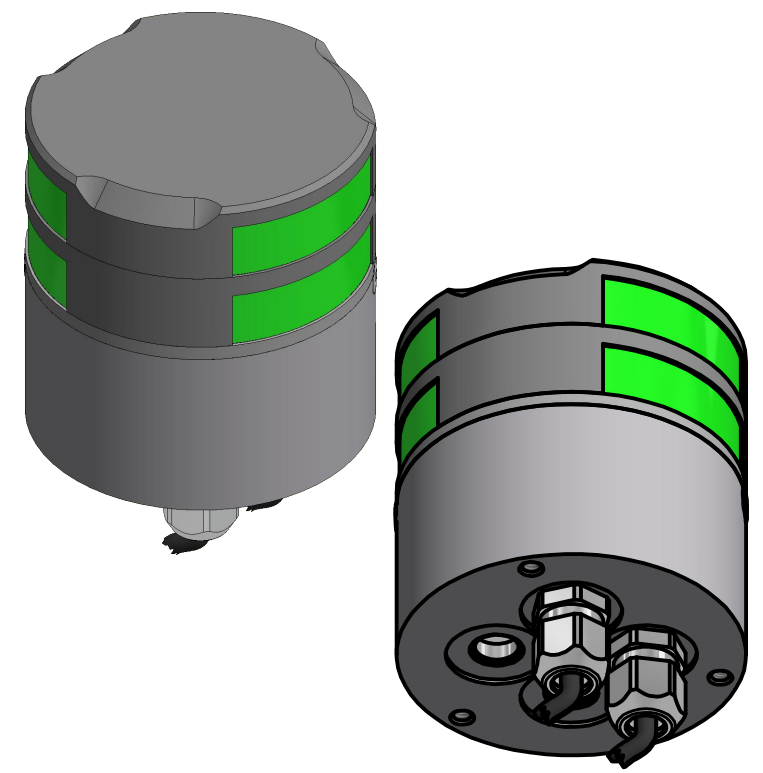
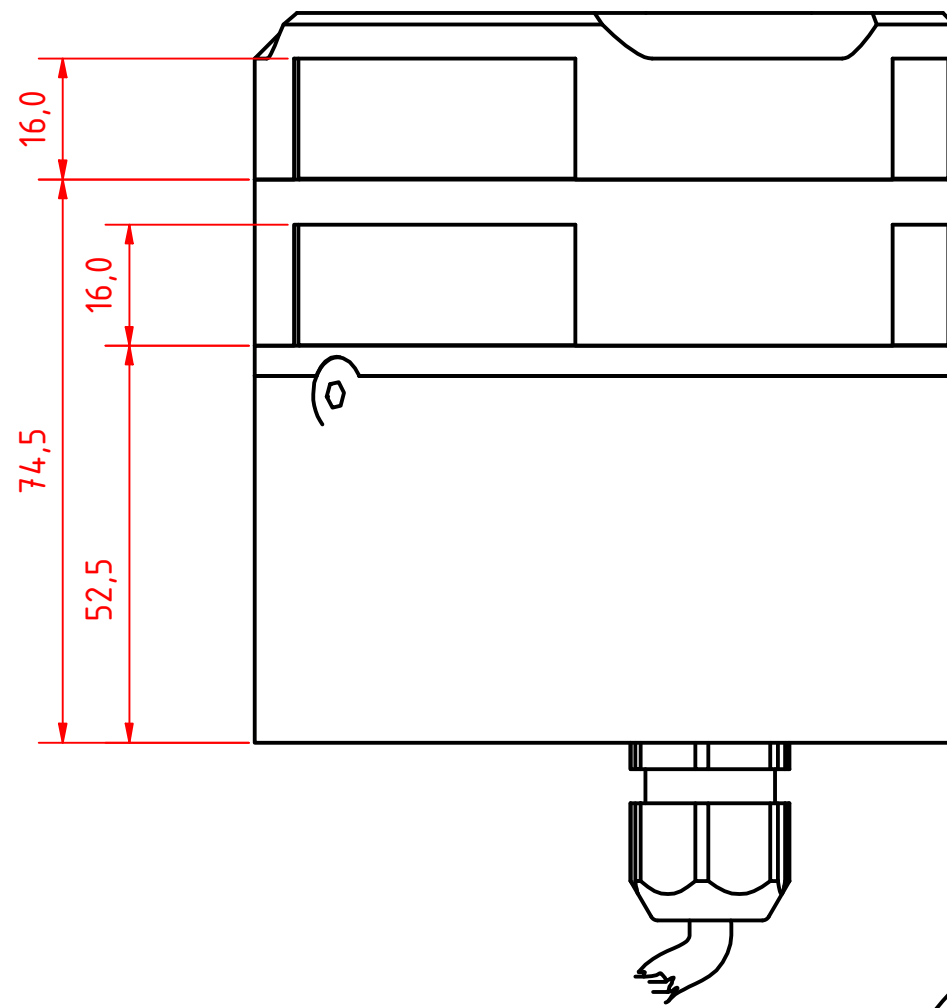
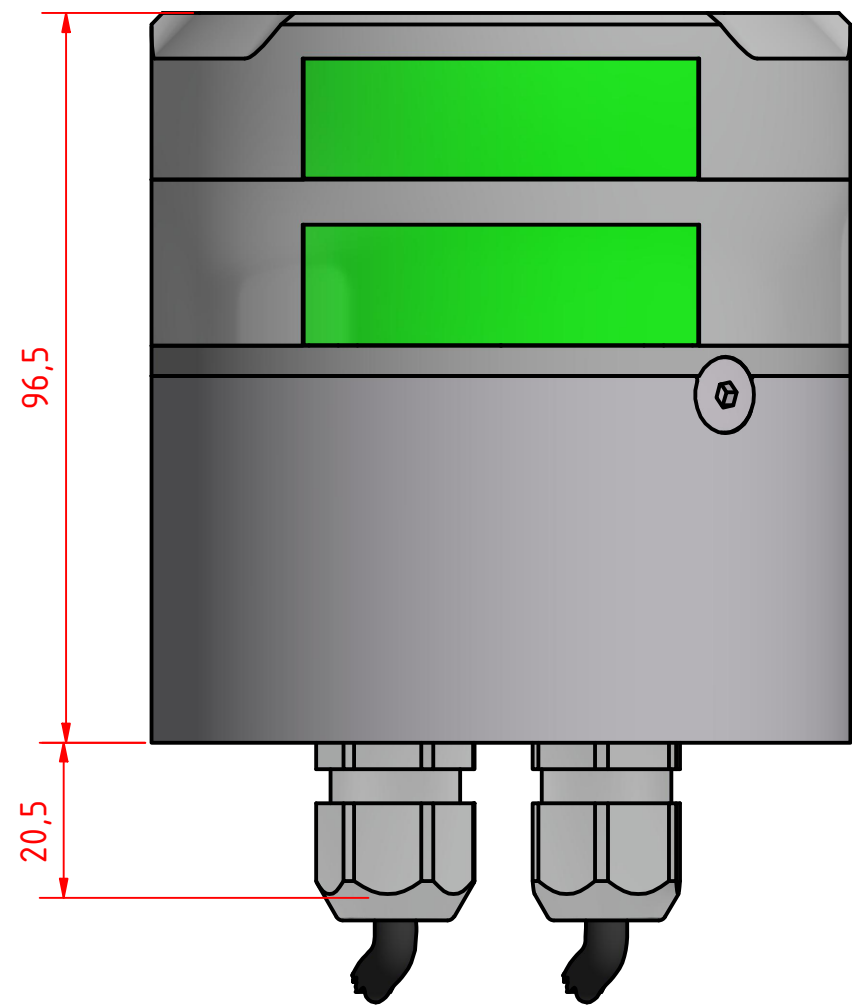
This Drawing, and the information within, is the property of Lopolight ApS and may not be used in any form without express permission there from. Lopolight reserves the right to change this drawing and assumes no liability for the information communicated herein. Use of dimensions and other information in this drawing is at the users own risk.



Lopolight ApS  
 Bakkegaardsvej 513  
 DK-3050, Humlebaek  
 Denmark  
[www.lopolight.com](http://www.lopolight.com)

Tel: (+45) 32 48 50 30 Fax: (+45) 32 48 50 32  
[info@lopolight.com](mailto:info@lopolight.com)





Green 360° Stack

200-015G2ST, 360° Green on a 400-034  
Promount base, Cable Down

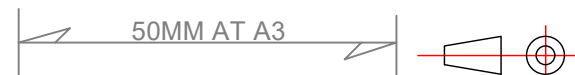
DRAWING NO.: 200-015G2ST-BA 0	REV. NO.:	SIZE: A3	DRAWN BY: Thomas
SCALE: 1 : 1	TOLERANCES: DS/ISO 2768-f	REVIEWED BY:	CREATION DATE: 25-05-2021
MATERIAL DESCRIPTION: Alu. EN6082, Acrylic			

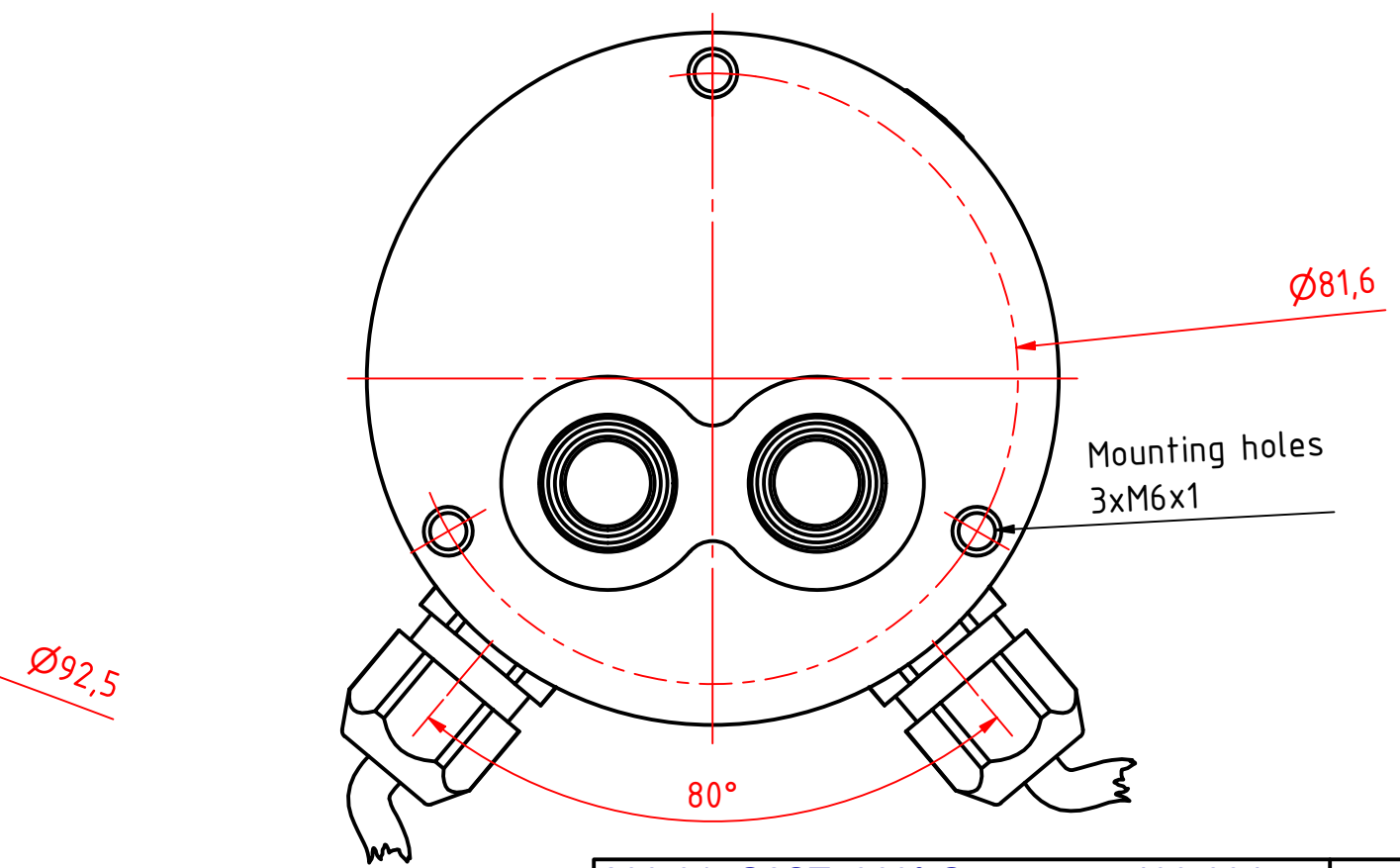
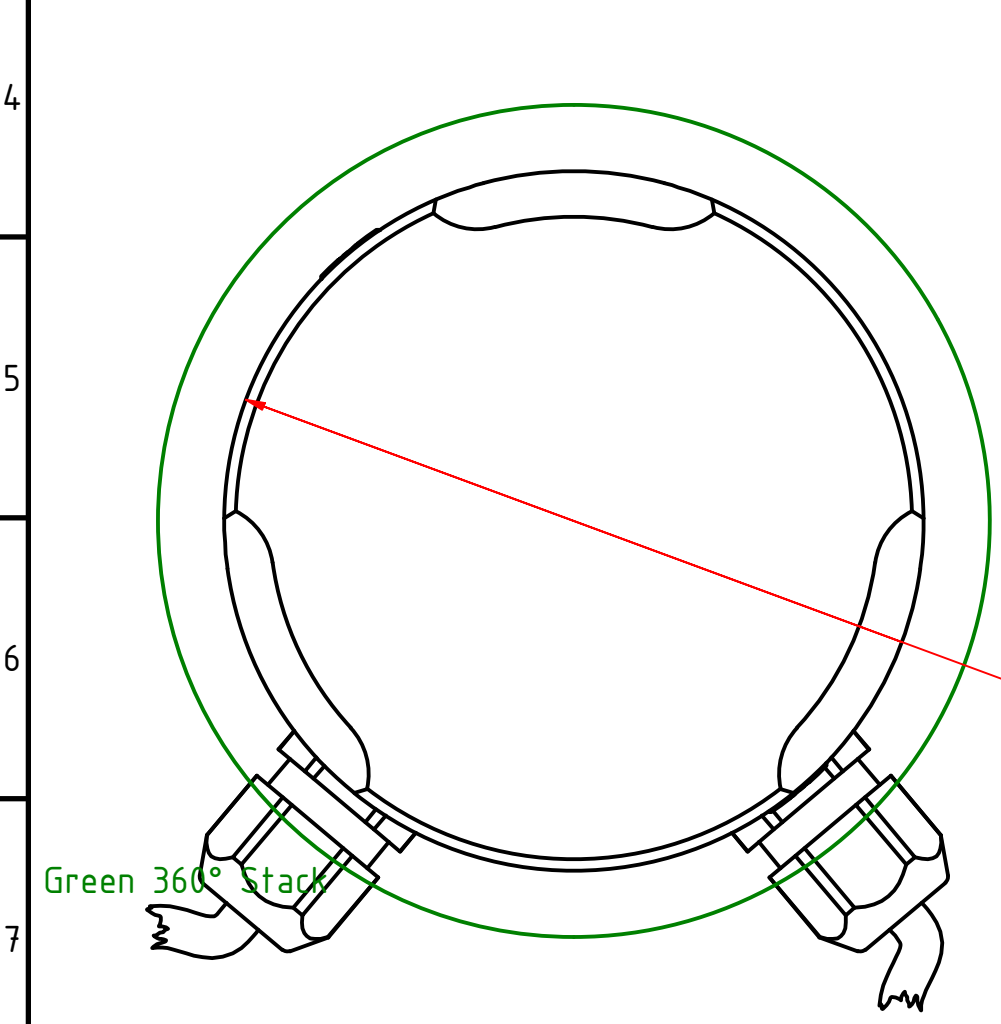
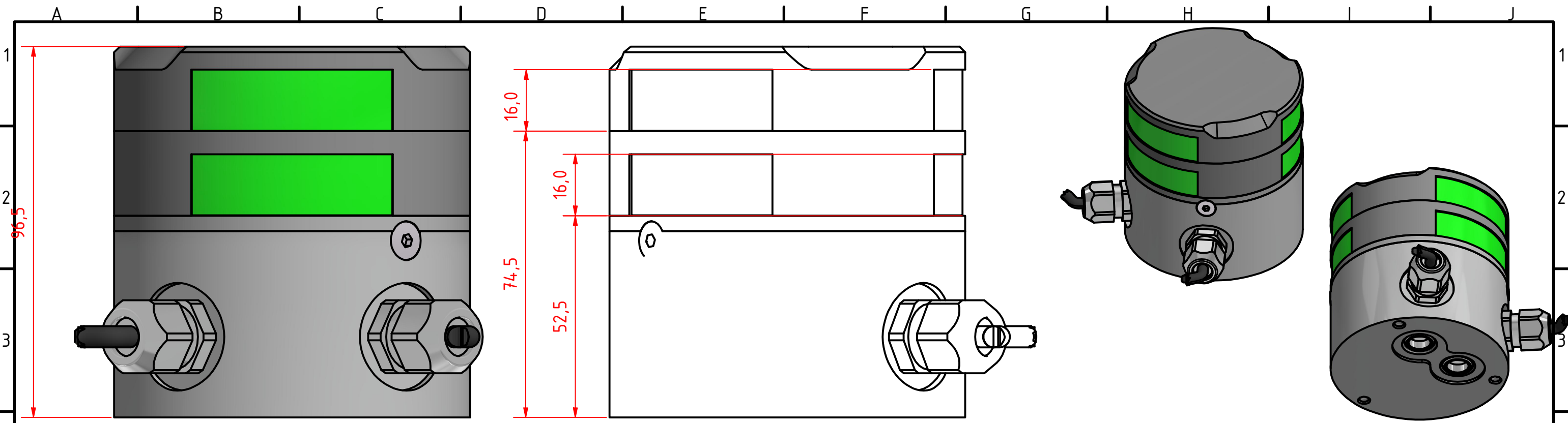
(20µ) Silver anodized according to EN ISO 7599  
(50µ) Black anodized according to MIL-A 8625F  
This Drawing, and the information within, is the property of Lopolight ApS and may not be used in any form without express permission there from. Lopolight reserves the right to change this drawing and assumes no liability for the information communicated herein. Use of dimensions and other information in this drawing is at the users own risk.



Lopolight ApS  
Bakkegaardsvej 513  
DK-3050, Humlebaek  
Denmark

Tel:(+45) 32 48 50 30 Fax:(+45) 32 48 50 32  
info@lopolight.com





200-015G2ST, 360° Green on a 400-034 Promount base, Cable Side

DRAWING NO.: 200-015G2ST	REV. NO.: 0	SIZE: A3	DRAWN BY: Thomas
SCALE: 1 : 1	TOLERANCES: DS/ISO 2768-f	REVIEWED BY:	CREATION DATE: 25-05-2021
MATERIAL DESCRIPTION: Alu. EN6082, Acrylic			

(20µ) Silver anodized according to EN ISO 7599  
(50µ) Black anodized according to MIL-A 8625F  
This Drawing, and the information within, is the property of Lopolight ApS and may not be used in any form without express permission there from. Lopolight reserves the right to change this drawing and assumes no liability for the information communicated herein. Use of dimensions and other information in this drawing is at the users own risk.

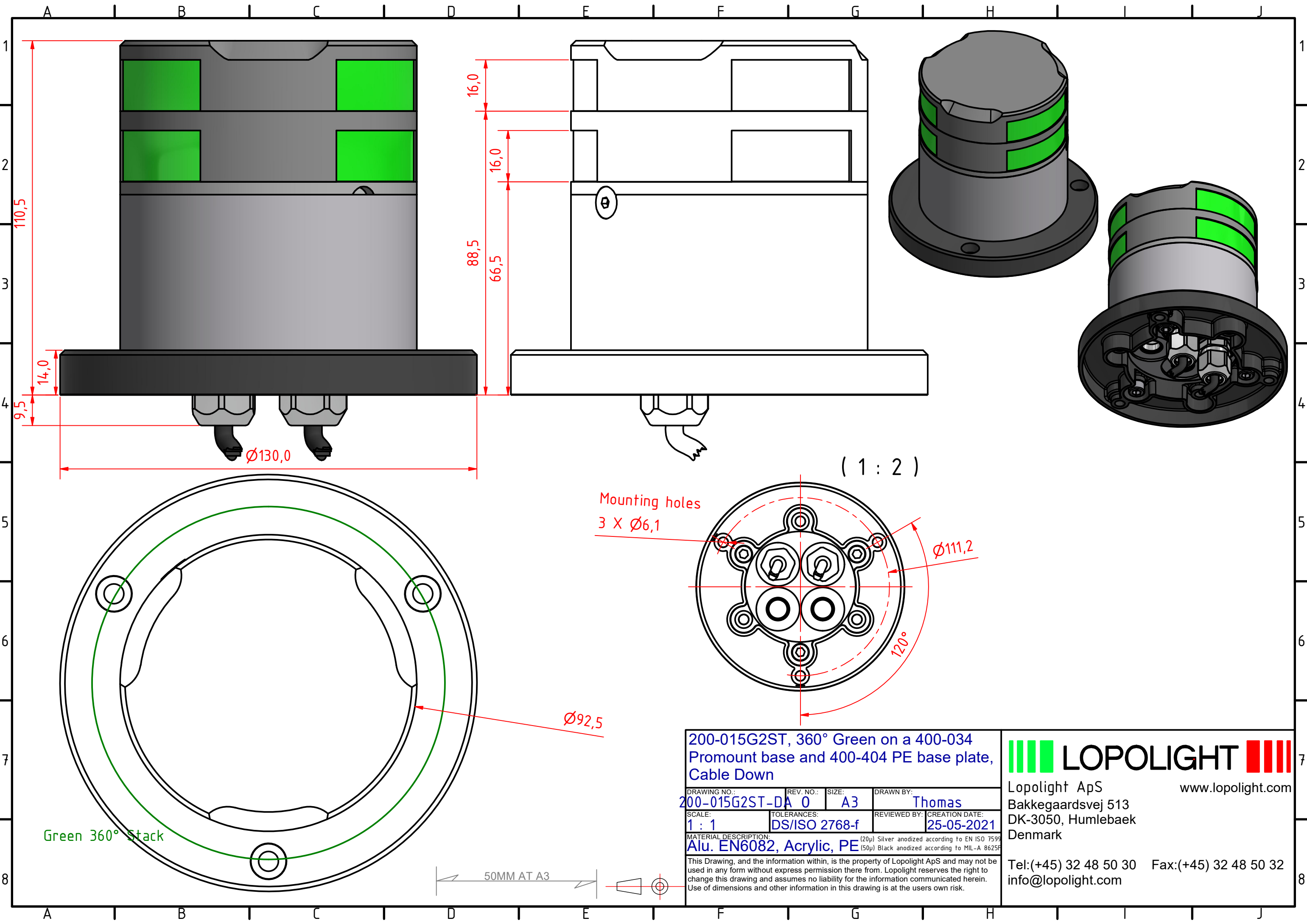
**LOPOLIGHT**

Lopolight ApS  
Bakkegaardsvej 513  
DK-3050, Humlebaek  
Denmark

www.lopolight.com

Tel:(+45) 32 48 50 30 Fax:(+45) 32 48 50 32  
info@lopolight.com





110,5

16,0  
16,0  
88,5  
66,5

14,0  
9,5

Ø130,0

( 1 : 2 )

Mounting holes  
3 X Ø6,1

Ø111,2

120°

Ø92,5

Green 360° Stack

50MM AT A3

200-015G2ST, 360° Green on a 400-034 Promount base and 400-404 PE base plate, Cable Down

DRAWING NO.: 200-015G2ST-DA 0	REV. NO.: A3	SIZE: A3	DRAWN BY: Thomas
SCALE: 1 : 1	TOLERANCES: DS/ISO 2768-f	REVIEWED BY:	CREATION DATE: 25-05-2021

MATERIAL DESCRIPTION:  
Alu. EN6082, Acrylic, PE (20µ) Silver anodized according to EN ISO 7599 (50µ) Black anodized according to MIL-A 8625F

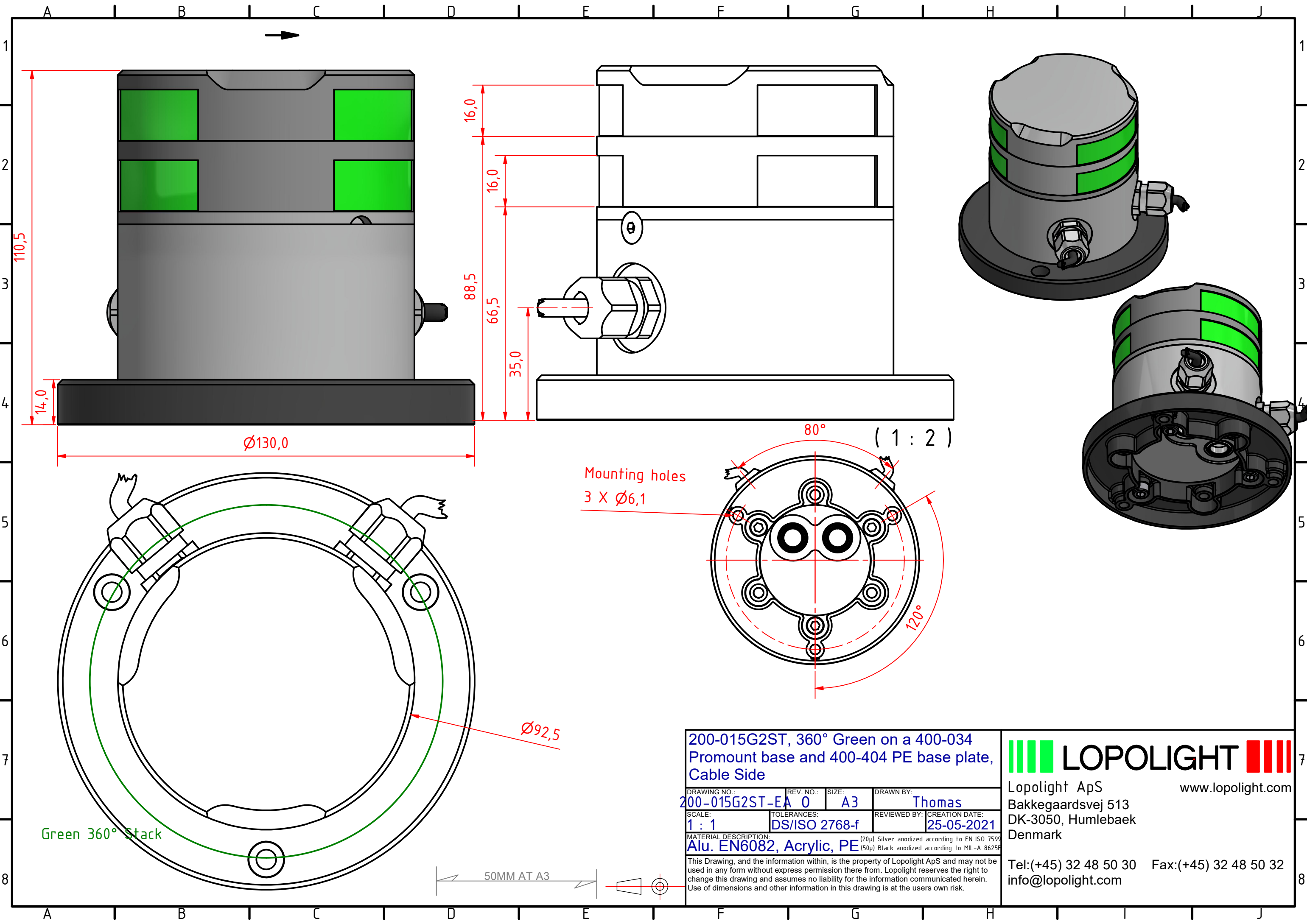
This Drawing, and the information within, is the property of Lopolight ApS and may not be used in any form without express permission there from. Lopolight reserves the right to change this drawing and assumes no liability for the information communicated herein. Use of dimensions and other information in this drawing is at the users own risk.

**LOPOLIGHT**

Lopolight ApS  
Bakkegaardsvej 513  
DK-3050, Humlebaek  
Denmark

Tel:(+45) 32 48 50 30 Fax:(+45) 32 48 50 32  
info@lopolight.com

www.lopolight.com



200-015G2ST, 360° Green on a 400-034 Promount base and 400-404 PE base plate, Cable Side

DRAWING NO.: 200-015G2ST-EA 0	REV. NO.: 0	SIZE: A3	DRAWN BY: Thomas
----------------------------------	----------------	-------------	---------------------

SCALE: 1 : 1	TOLERANCES: DS/ISO 2768-f	REVIEWED BY:	CREATION DATE: 25-05-2021
-----------------	------------------------------	--------------	------------------------------

MATERIAL DESCRIPTION:  
Alu. EN6082, Acrylic, PE (20µ) Silver anodized according to EN ISO 7599 (50µ) Black anodized according to MIL-A 8625F

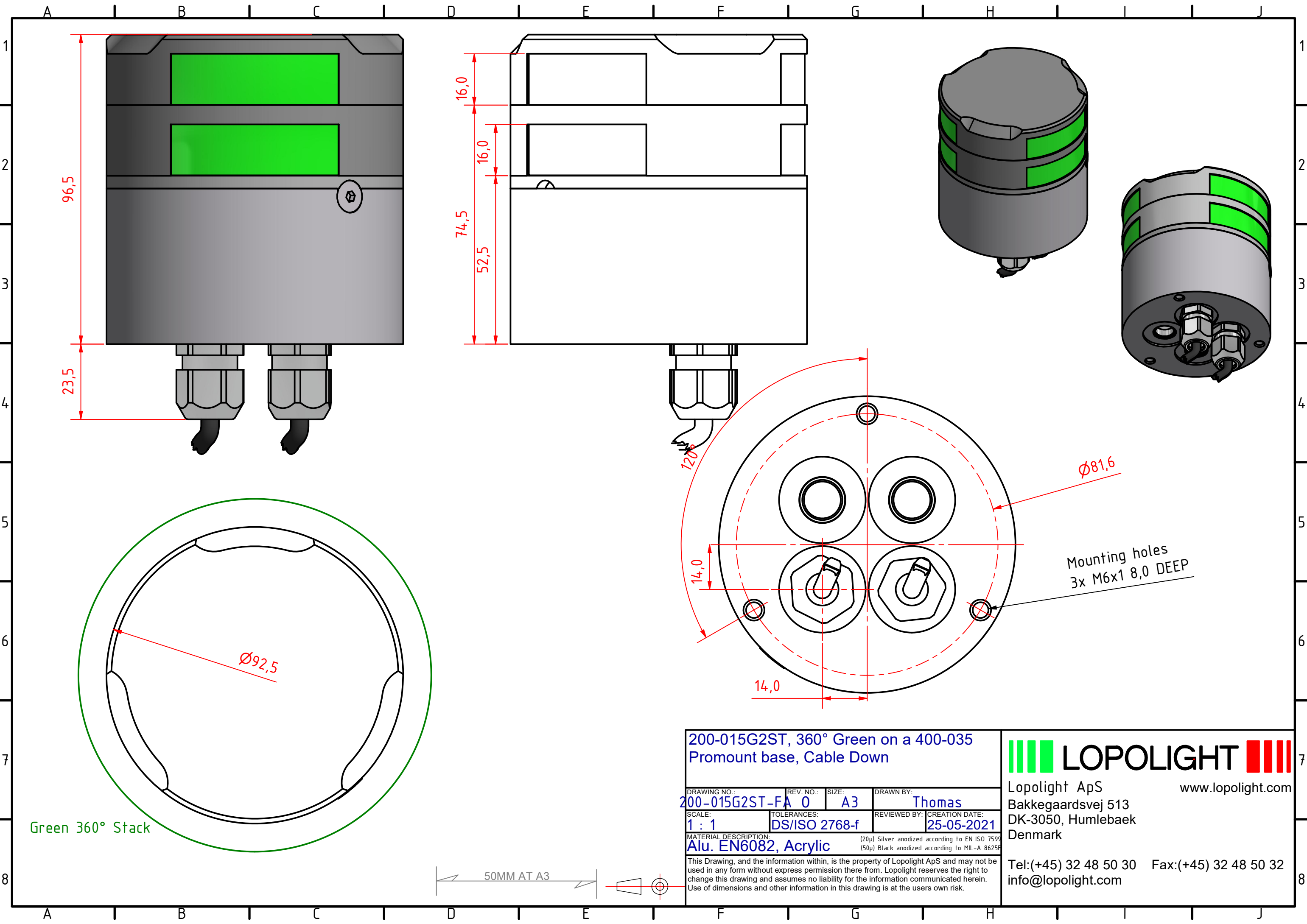
This Drawing, and the information within, is the property of Lopolight ApS and may not be used in any form without express permission there from. Lopolight reserves the right to change this drawing and assumes no liability for the information communicated herein. Use of dimensions and other information in this drawing is at the users own risk.

**LOPOLIGHT**

Lopolight ApS  
Bakkegaardsvej 513  
DK-3050, Humlebaek  
Denmark

Tel:(+45) 32 48 50 30 Fax:(+45) 32 48 50 32  
info@lopolight.com

www.lopolight.com



Green 360° Stack

**200-015G2ST, 360° Green on a 400-035 Promount base, Cable Down**

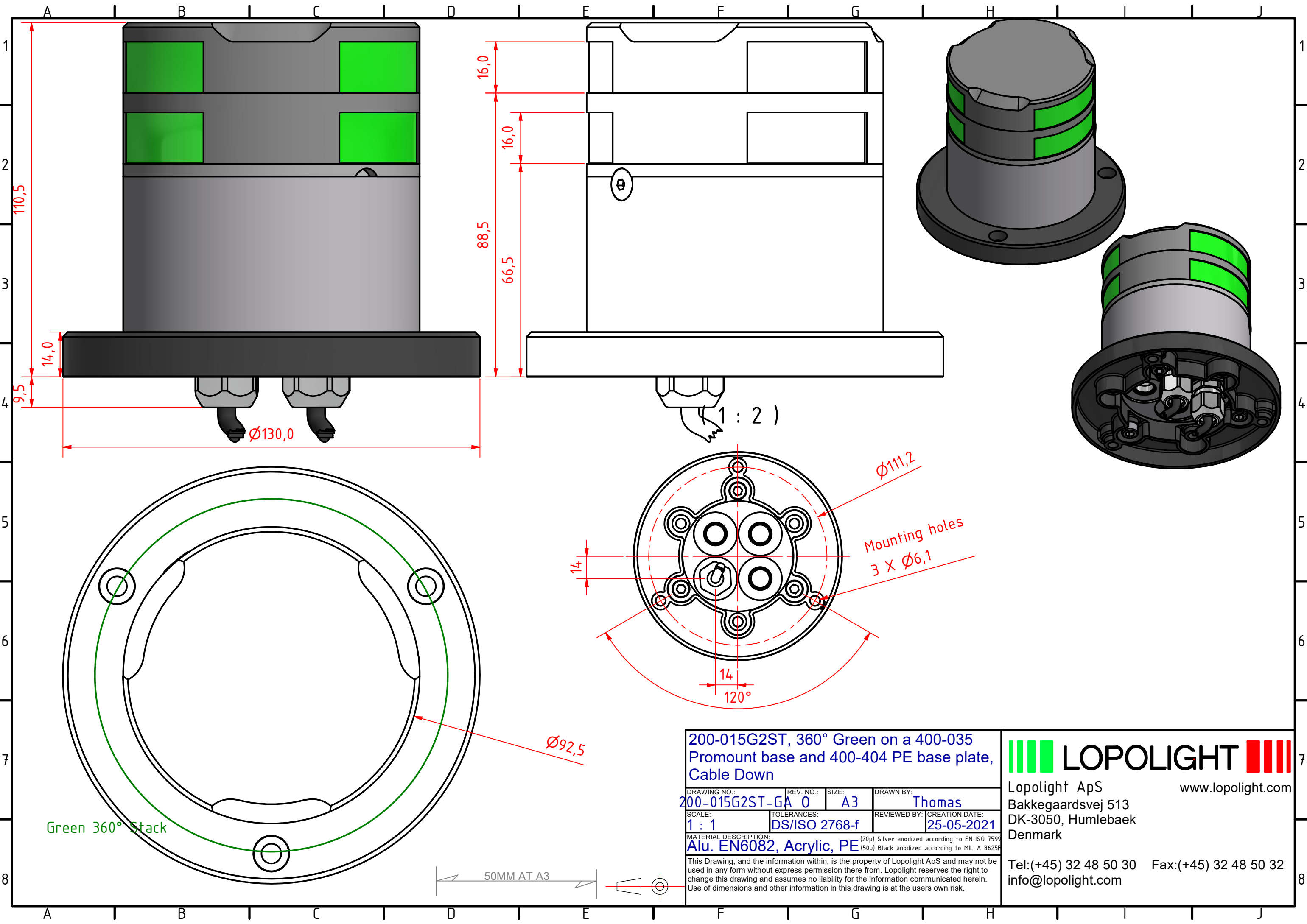
DRAWING NO.: <b>200-015G2ST-FA 0</b>	REV. NO.: <b>A3</b>	SIZE: <b>A3</b>	DRAWN BY: <b>Thomas</b>
SCALE: <b>1 : 1</b>	TOLERANCES: <b>DS/ISO 2768-f</b>	REVIEWED BY:	CREATION DATE: <b>25-05-2021</b>
MATERIAL DESCRIPTION: <b>Alu. EN6082, Acrylic</b> (20µ) Silver anodized according to EN ISO 7599 (50µ) Black anodized according to MIL-A 8625F			
This Drawing, and the information within, is the property of Lopolight ApS and may not be used in any form without express permission there from. Lopolight reserves the right to change this drawing and assumes no liability for the information communicated herein. Use of dimensions and other information in this drawing is at the users own risk.			

**LOPOLIGHT**

Lopolight ApS  
 Bakkegaardsvej 513  
 DK-3050, Humlebaek  
 Denmark

www.lopolight.com

Tel:(+45) 32 48 50 30 Fax:(+45) 32 48 50 32  
 info@lopolight.com



Green 360° Stack

Ø92,5

Ø111,2  
Mounting holes  
3 X Ø6,1

200-015G2ST, 360° Green on a 400-035  
Promount base and 400-404 PE base plate,  
Cable Down

DRAWING NO.: 200-015G2ST-GA 0	REV. NO.: A3	SIZE: A3	DRAWN BY: Thomas
----------------------------------	-----------------	-------------	---------------------

SCALE: 1 : 1	TOLERANCES: DS/ISO 2768-f	REVIEWED BY:	CREATION DATE: 25-05-2021
-----------------	------------------------------	--------------	------------------------------

MATERIAL DESCRIPTION:  
Alu. EN6082, Acrylic, PE (20µ) Silver anodized according to EN ISO 7599  
(50µ) Black anodized according to MIL-A 8625F

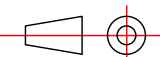
This Drawing, and the information within, is the property of Lopolight ApS and may not be used in any form without express permission there from. Lopolight reserves the right to change this drawing and assumes no liability for the information communicated herein. Use of dimensions and other information in this drawing is at the users own risk.

**LOPOLIGHT**

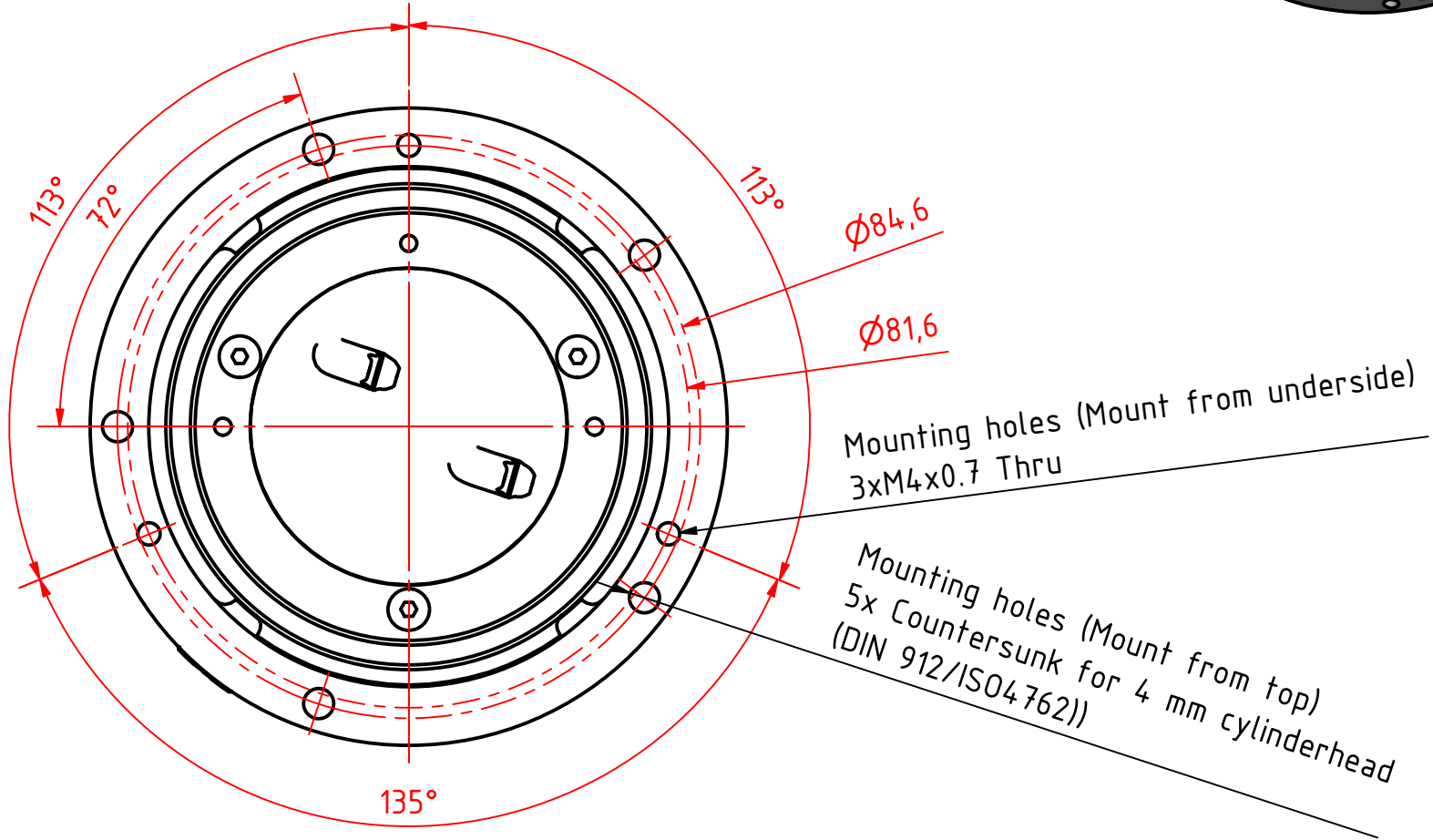
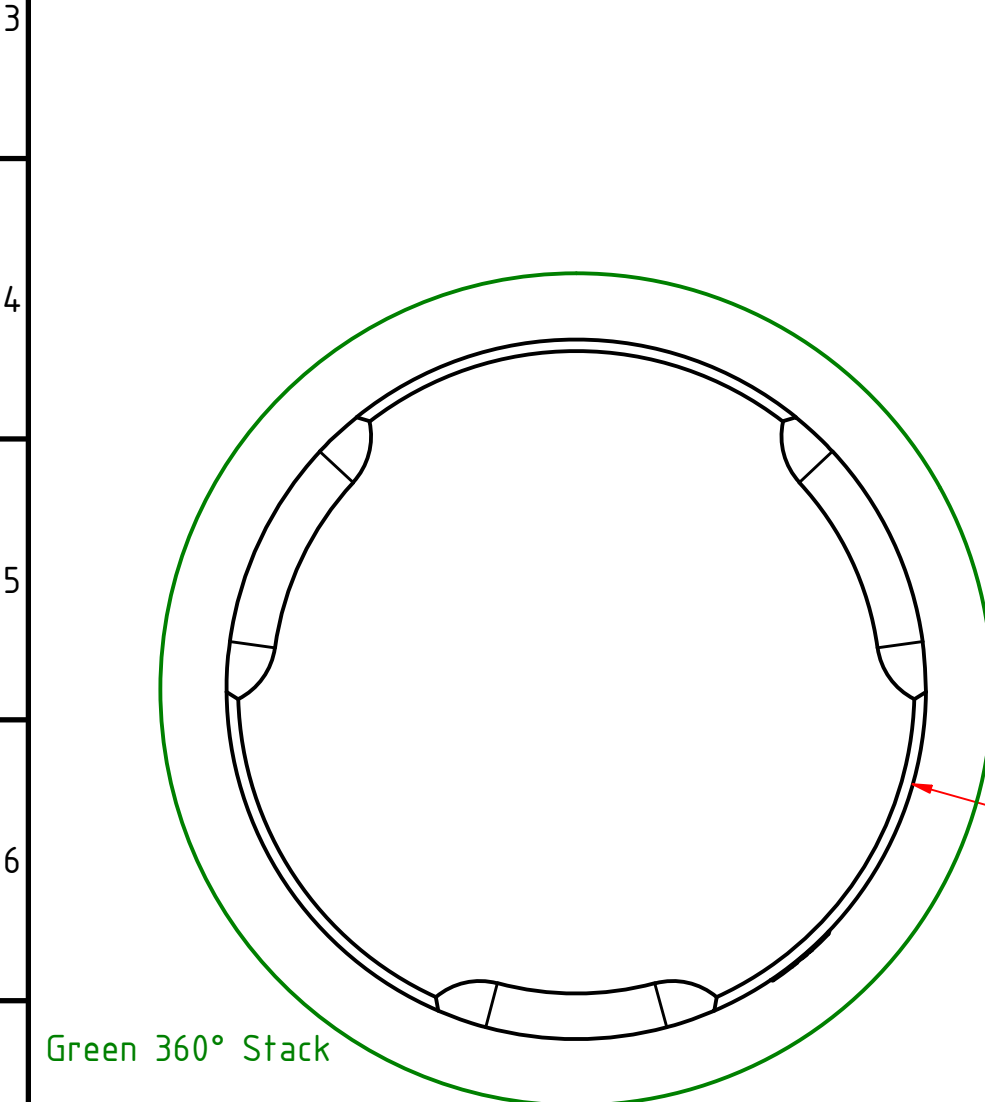
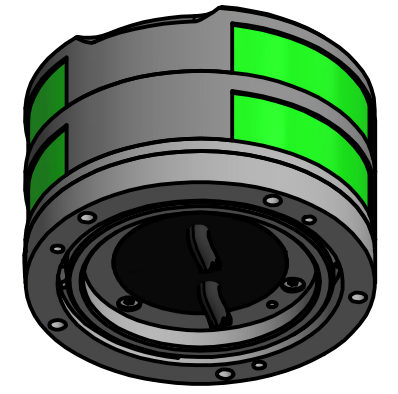
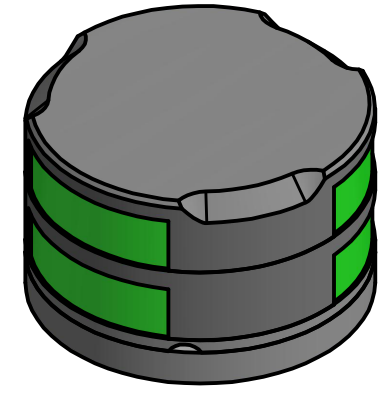
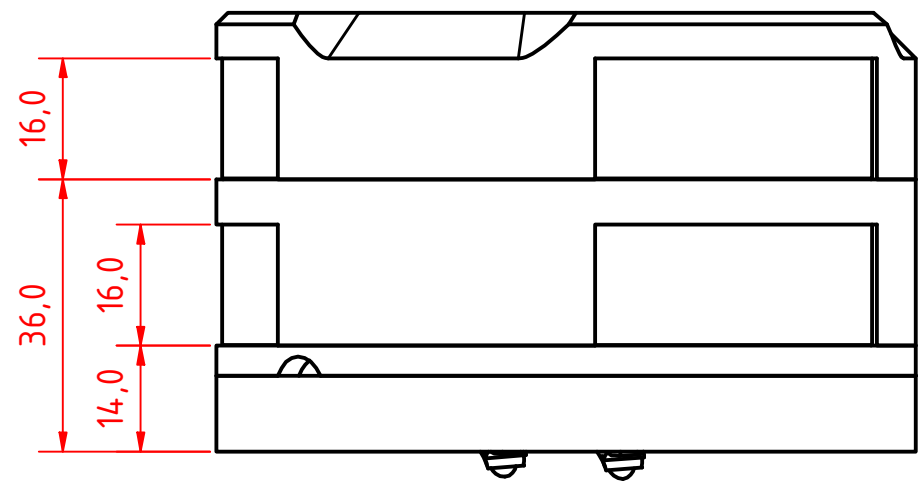
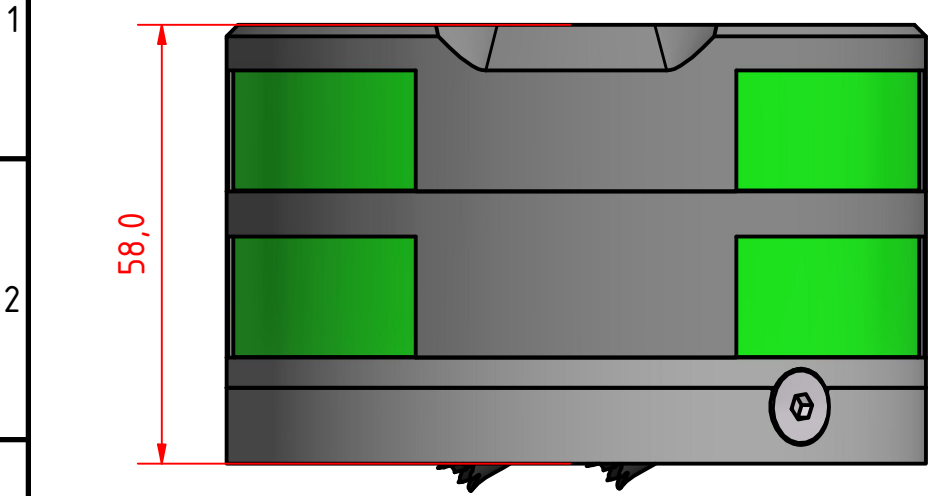
Lopolight ApS  
Bakkegaardsvej 513  
DK-3050, Humlebaek  
Denmark

Tel:(+45) 32 48 50 30 Fax:(+45) 32 48 50 32  
info@lopolight.com

50MM AT A3



A B C D E F G H I J



Green 360° Stack

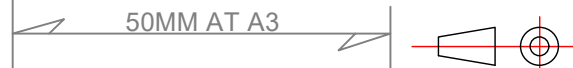
**200-015G2ST, 360° Green on a 400-036  
Ultra Low profile base**

DRAWING NO.: <b>200-015G2ST-HA 0</b>	REV. NO.:	SIZE: <b>A3</b>	DRAWN BY: <b>Thomas</b>
SCALE: <b>1 : 1</b>	TOLERANCES: <b>DS/ISO 2768-f</b>	REVIEWED BY:	CREATION DATE: <b>25-05-2021</b>
MATERIAL DESCRIPTION: <b>Alu. EN6082, Acrylic</b> (20µ) Silver anodized according to EN ISO 7599 (50µ) Black anodized according to MIL-A 8625F			
This Drawing, and the information within, is the property of Lopolight ApS and may not be used in any form without express permission there from. Lopolight reserves the right to change this drawing and assumes no liability for the information communicated herein. Use of dimensions and other information in this drawing is at the users own risk.			

**LOPOLIGHT**

Lopolight ApS www.lopolight.com  
 Bakkegaardsvej 513  
 DK-3050, Humlebaek  
 Denmark

Tel:(+45) 32 48 50 30 Fax:(+45) 32 48 50 32  
 info@lopolight.com



A B C D E F G H I J

8

8