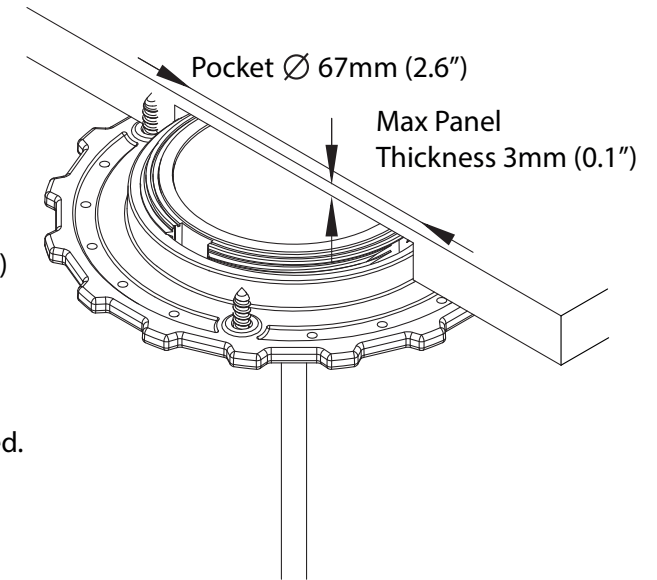
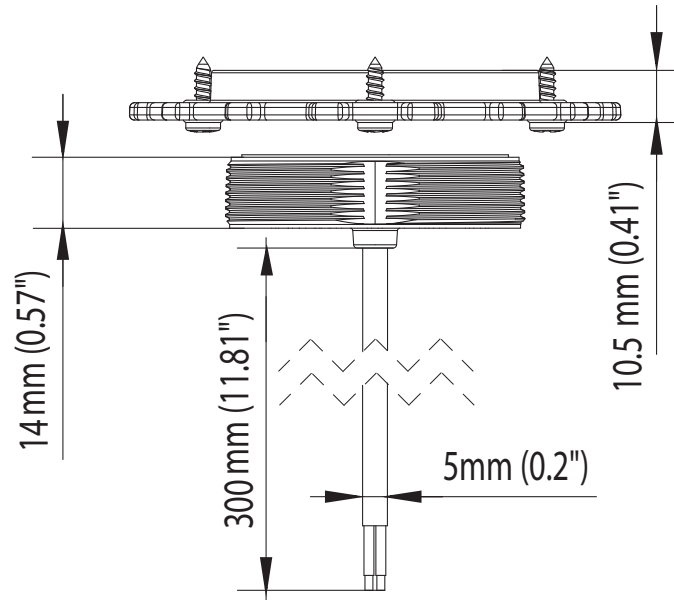
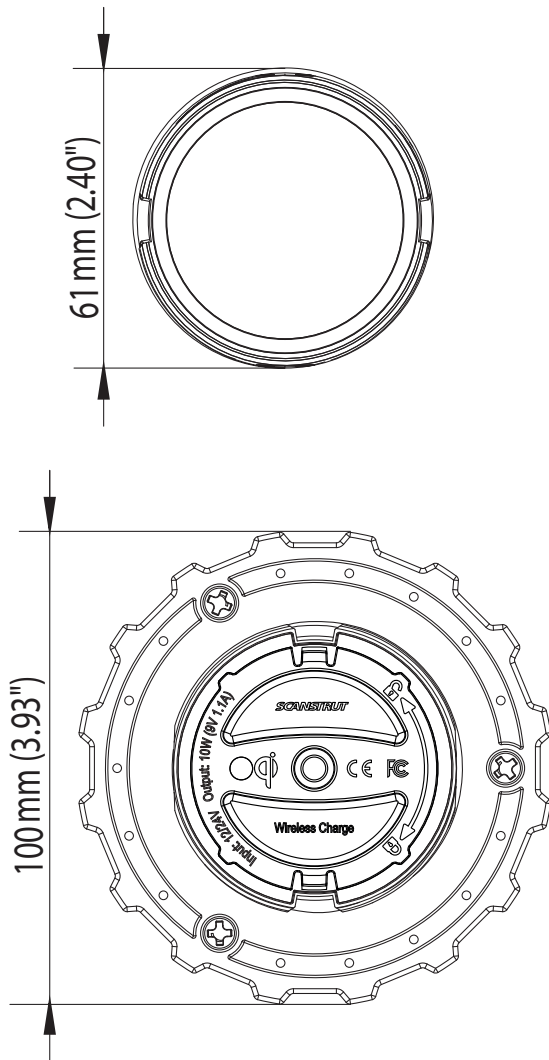


ROKK Wireless Hidden 10W - SC-CW-01F

Email: sales@scanstrut.com Email: usasales@scanstrut.com



Electrical info:

- Input Voltage Range: 10-30V DC (12/24V system)
 - Input current max: 2A
 - Output Power: 10W (9V, 1.1A)
 - Standby Power Draw : < 0.2W
- Qi, CE, UKCA, FCC, ROHS, C-Tick, UN ECE R10, IC, PSE Certified.

Waterproof Rating: IPX6