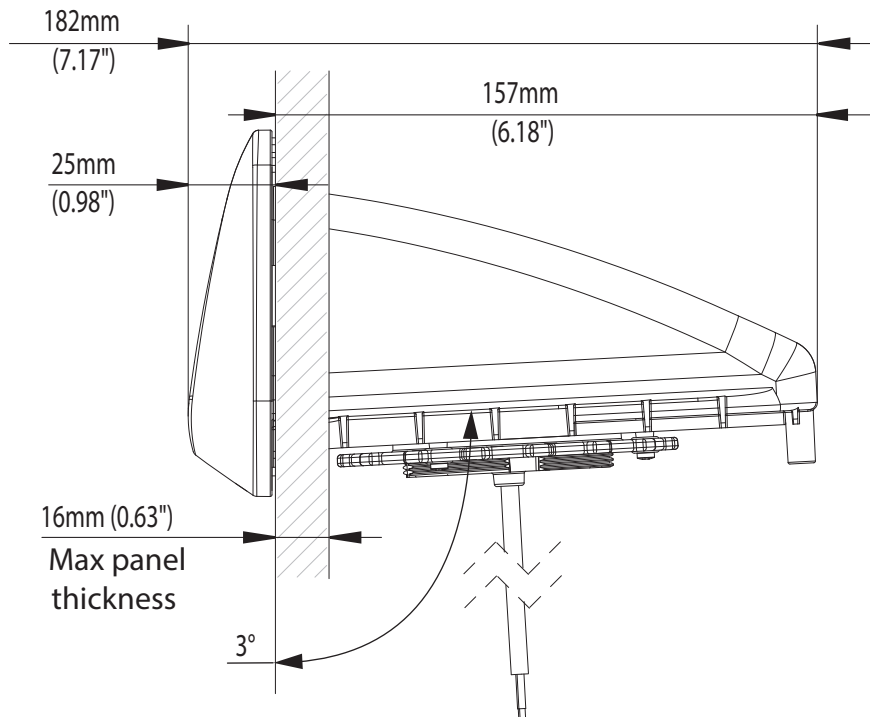
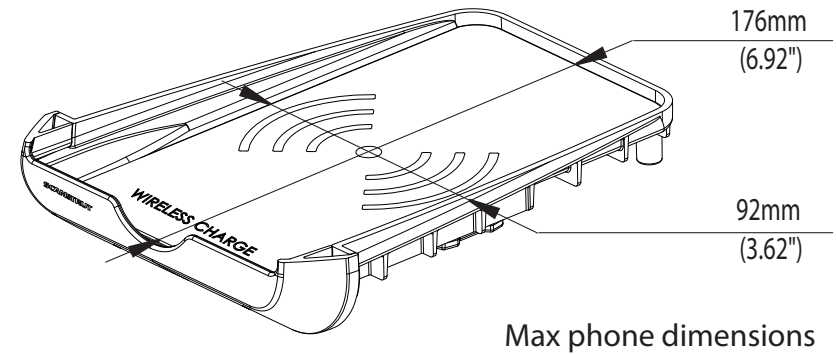
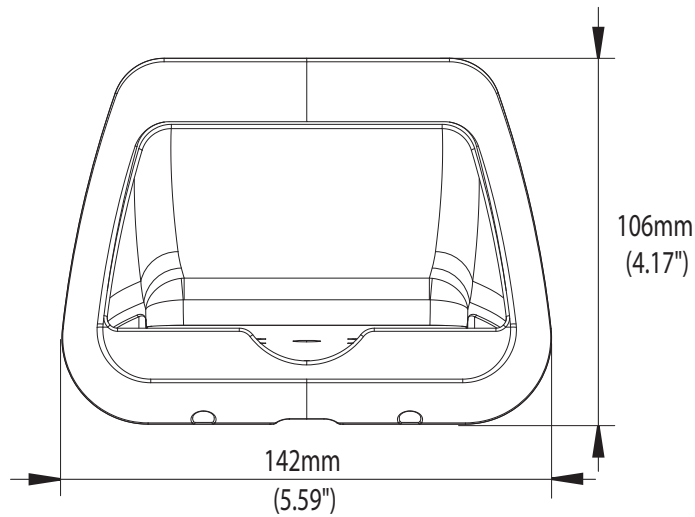
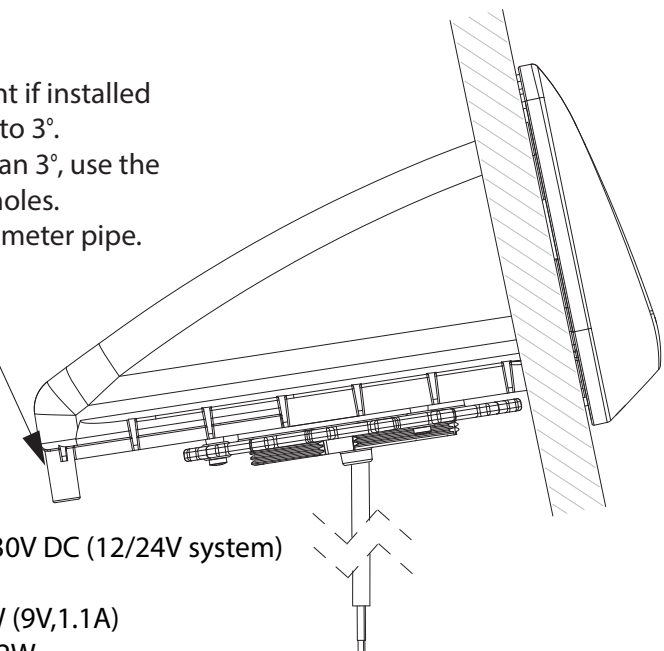


ROKK Wireless Nest 10W - SC-CW-06F

Email: sales@scanstrut.com Email: usasales@scanstrut.com



Water will drain from the front if installed vertically or sloping back up to 3°. If surface leans back more than 3°, use the optional self-drill rear drain holes. Suit 8mm (5/16") internal diameter pipe. (Not included)



Electrical info:

- Input Voltage Range: 10-30V DC (12/24V system)
- Input current max: 2A
- Output Power: 10W (9V,1.1A)
- Standby Power Draw : < 0.2W
- Qi, CE, UKCA, FCC, ROHS, C-Tick, UN ECE R10, IC, PSE Certified.

Waterproof Rating: IPX6

SCANSTRUT®

ROKK Wireless Nest 10W - SC-CW-06F

Email: sales@scanstrut.com Email: usasales@scanstrut.com

Drill x4 holes for No.6 Screws

Suggested pilot holes:

Material	No. 6 Screw
Soft Material e.g. plywood	2.5mm (3/32")
Hard Material e.g. fiberglass, acrylic, hardwoods	3mm (1/8")

