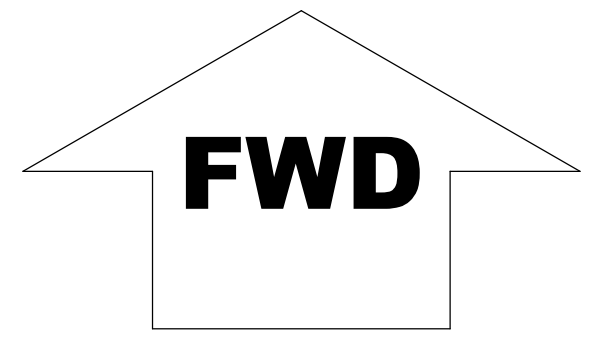
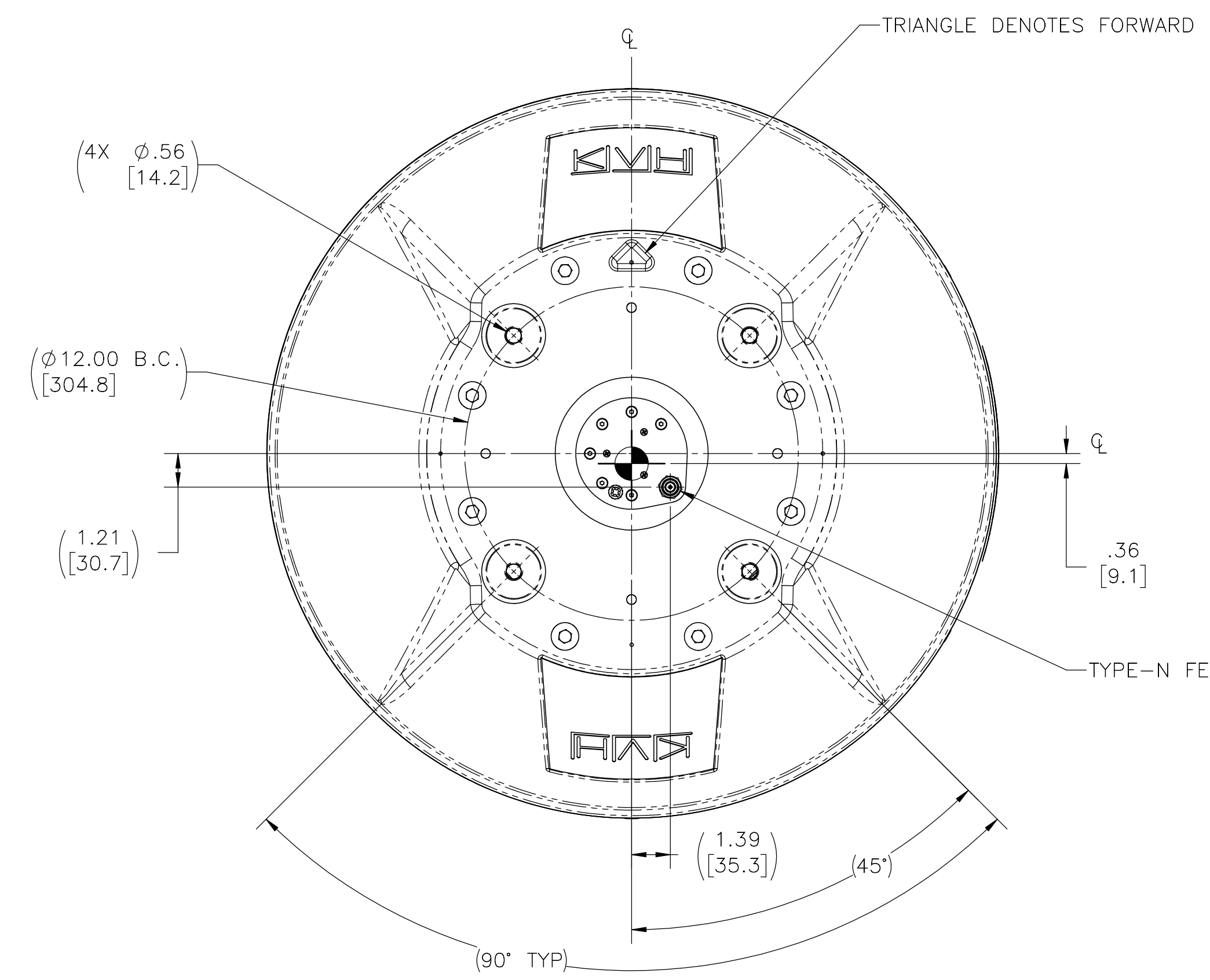
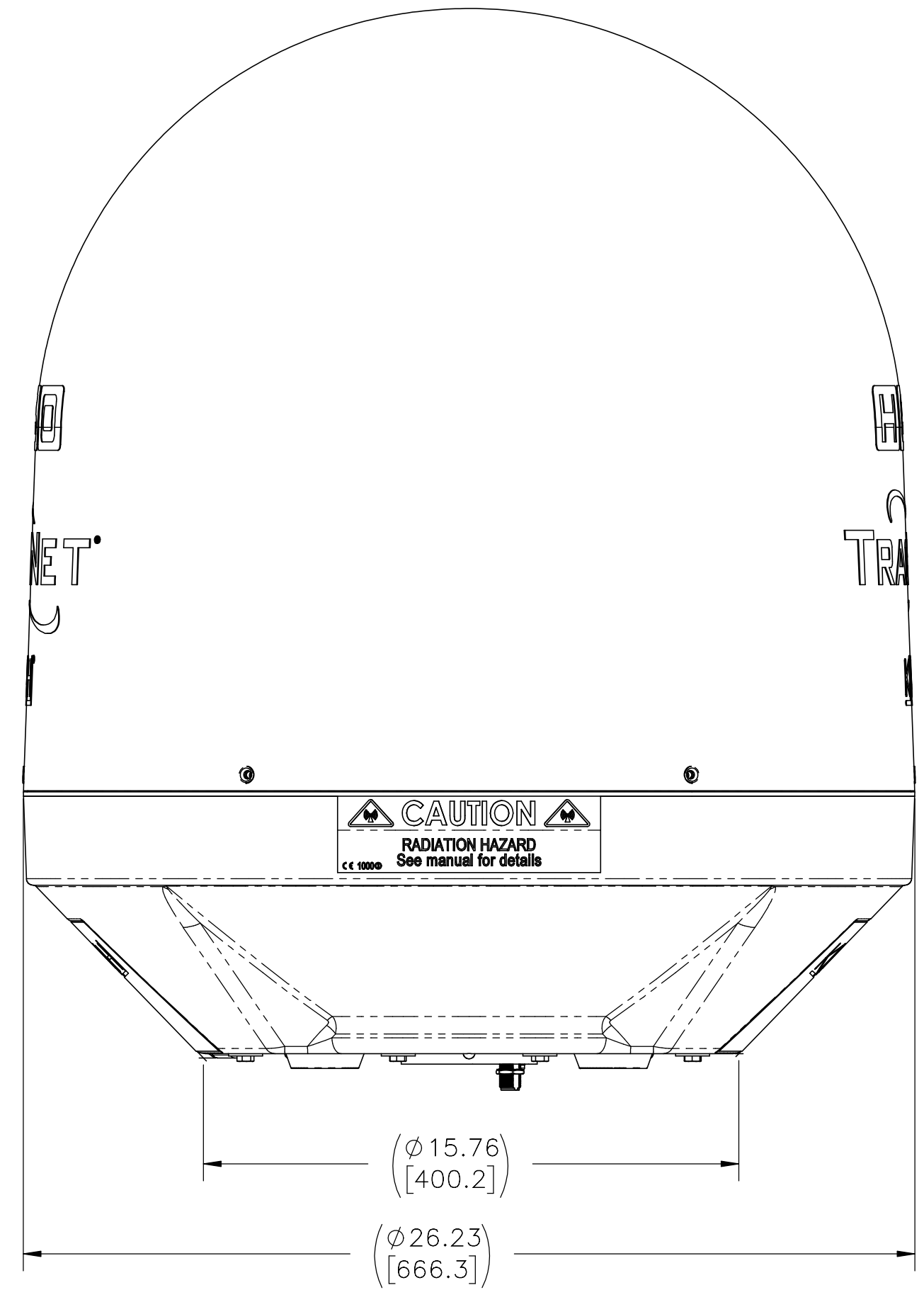
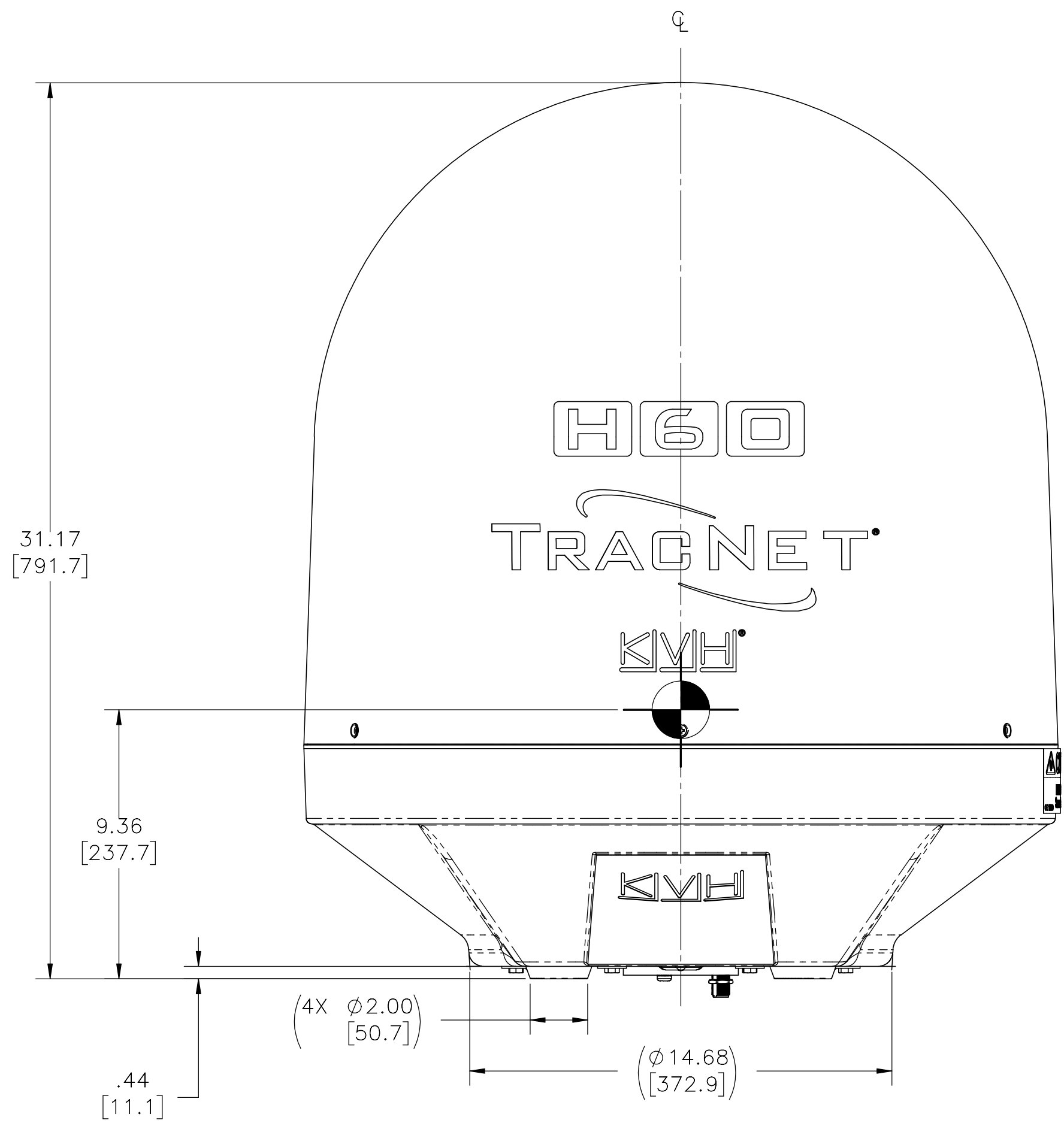


NOTICE: THIS DRAWING AND/OR SPECIFICATION IS THE PROPERTY OF KVH INDUSTRIES. ALL INFORMATION CONTAINED HEREIN WHICH IS NOT KNOWN GENERALLY IN THE FIELD OF KVH SHALL BE CONFIDENTIAL EXCEPT TO ANY EXTENT TO WHICH IT IS ESTABLISHED TO HAVE BEEN KNOWN PREVIOUSLY FROM SOURCES OTHER THAN KVH. THIS DRAWING AND/OR SPECIFICATION MAY NOT BE REPRODUCED, COPIED OR USED AS THE BASIS FOR THE MANUFACTURE OR SALE OF APPARATUS WITHOUT WRITTEN PERMISSION

REVISIONS				
ZONE	REV.	DESCRIPTION	DATE	APPROVED
-	A0	RELEASED PER ECO 14106	6/10/22	D. CUNNINGHAM

CHANGES TO THIS DRAWING MUST BE INCORPORATED IN THE APPLICABLE KVH SOLID MODEL



- NOTES:
UNLESS OTHERWISE SPECIFIED:
1. WEIGHT: 60 LBS. [27.2 Kg].
 2. ANTENNA MOUNTING FASTENERS: $\phi 1/2-13$ UNC-2A FLAT HEAD SOCKET HEAD CAP SCREWS PER ANSI B18.6.3
 3. ALL DIMENSIONS ARE FOR REFERENCE ONLY.
 4. ALL DIMENSIONS AND WEIGHT ARE SUBJECT TO CHANGE.

	UNLESS OTHERWISE SPECIFIED DIMENSIONS ARE IN INCHES TOLERANCES ARE: FRACTIONS DECIMALS ANGLES \pm .005 \pm .01 \pm .1	CONTRACT NO. H60	KVH Industries, Inc. Middletown, Rhode Island 02842
	MATERIAL SEE NOTE 1	APPROVALS DRAWN J. CABRAL CHECKED SEE LATEST ECO DATE 6/6/22	ENVELOPE DRAWING H60 ANTENNA
FINISH SEE NOTE 2	DO NOT SCALE DRAWING	QUALITY SEE LATEST ECO	MANUFACTURING SEE LATEST ECO 10/12/16
INTERPRET DRAWING IN ACCORDANCE WITH ANSI/ASME Y14.5-2009		SIZE D	CAGE CODE 72197
		DWG NO. 99-0443	REV. A0
		SCALE: 1:4	SHEET 1 OF 1