

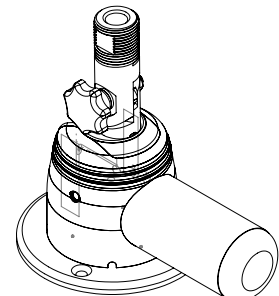
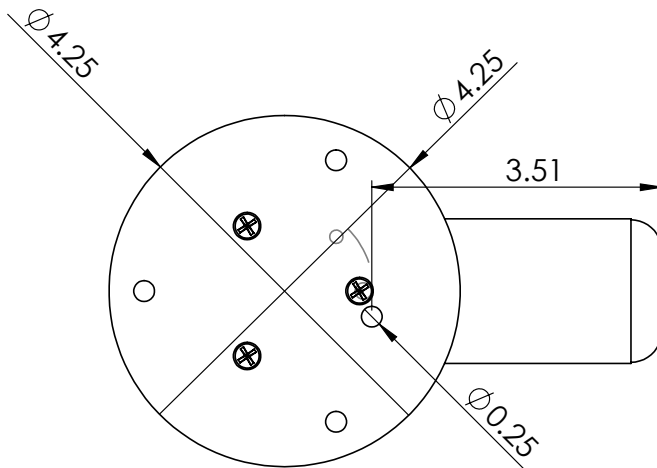
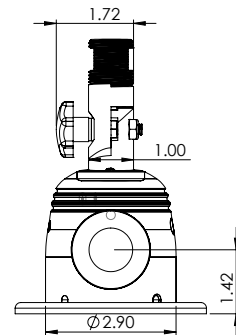
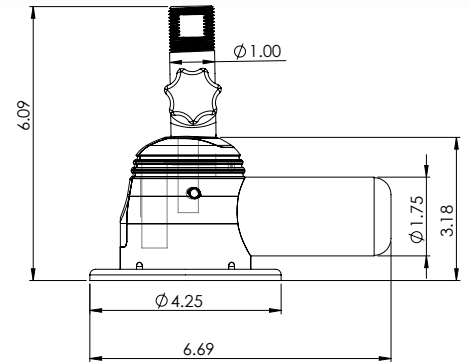
GRAND SLAM 850BHC ELECTRIC VHF ANTENNA MOUNT



Introducing the new Blackout Series GS-850BHC Electric VHF Antenna Mount. Not only can boaters adjust the position of their antenna with the simple push of a button, but the popular GS-850 is now available with a black hard coat anodized aluminum finish – providing enhanced protection from the elements in style. The new GS-850BHC is a fully electric unit with hidden wires inside the hardtop. This mount easily installs to the surface of the hardtop and fits all top thicknesses.

FEATURES & BENEFITS

- Black hard coat anodized aluminum
- Standard 1"-14 thread (male) shaft to accept standard VHF antennas up to 8'
- No under-mount clearance required
- Machined / Anodized aluminum body with a light brushed finish
- Threaded shaft for consistent lift and descent
- Brass bearings for smooth operation
- Features breakaway pin for manual operation
- Kit includes drill template and installation instructions
- Includes 6" lead of 20-gauge wire from the base
- 12-volt DC power supply for lift and descent
- Pairs with Backing Plate (BP-0850AEY), which is sold separately
- Pairs with 6° Wedge Plate (WP-850-950), which is sold separately
- Accepts 3A fuse in the main +12 VDC power feed (not included)



PART NUMBER	DESCRIPTION	WEIGHT	UNIT	CoO	STD. PK.	UPC
GS-850BHC	Grand Slam 850BHC Electric VHF Antenna Mount	2.1 lbs	Each	USA	2	631092090886